



A TEREX BRAND

# *Parts Manual*

## Serial Number Range

**GS-30**

from GS3003-60000 to  
GS3005-75999

**GS-32**

from GS3204-60000 to  
GS3205-75406

**GS-46**

from GS4603-60000 to  
GS4605-75437

Part No. 96315

Rev D32

January 2015

## Technical Publications

Genie has endeavored to deliver the highest degree of accuracy possible. However, continuous improvement of our products is a Genie policy. Therefore, product specifications are subject to change without notice.

Readers are encouraged to notify Genie of errors and send in suggestions for improvement. All communications will be carefully considered for future printings of this and all other manuals.

## Contact Us:

<http://www.genielift.com>  
 e-mail: [awp.techpub@terex.com](mailto:awp.techpub@terex.com)

## Serial Number Information

Genie Industries offers the following Parts Manuals for these models:

Title	Part No
Genie GS-1530, GS-1532, GS-1930 and GS-1932 Parts Manual (to serial number 59999).....	39529
Genie GS-2032 and GS-2632 Parts Manual (to serial number 59999).....	46325
Genie GS-2046, GS-2646 and GS-3246 Parts Manual (to serial number 59999).....	48338

Copyright © 2011 by Terex Corporation

Second Edition, First Printing May 2004  
 Second Edition, Second Printing May 2005

96315 Rev D July 2009  
 Second Edition, Fourth Printing

Genie is a registered trademark of Terex South Dakota, Inc. in the USA and many other countries. "GS" is a trademark of Terex South Dakota, Inc.

 Printed on recycled paper

**Genie**  
A TEREX BRAND

Model: GS-1930  
 Serial number: GS3005A-12345  
 Model year: 2005    Manufacture date: 04/12/05  
 Electrical schematic number: ES0141  
 Machine unladen weight: 2,714 lb / 1,231 N

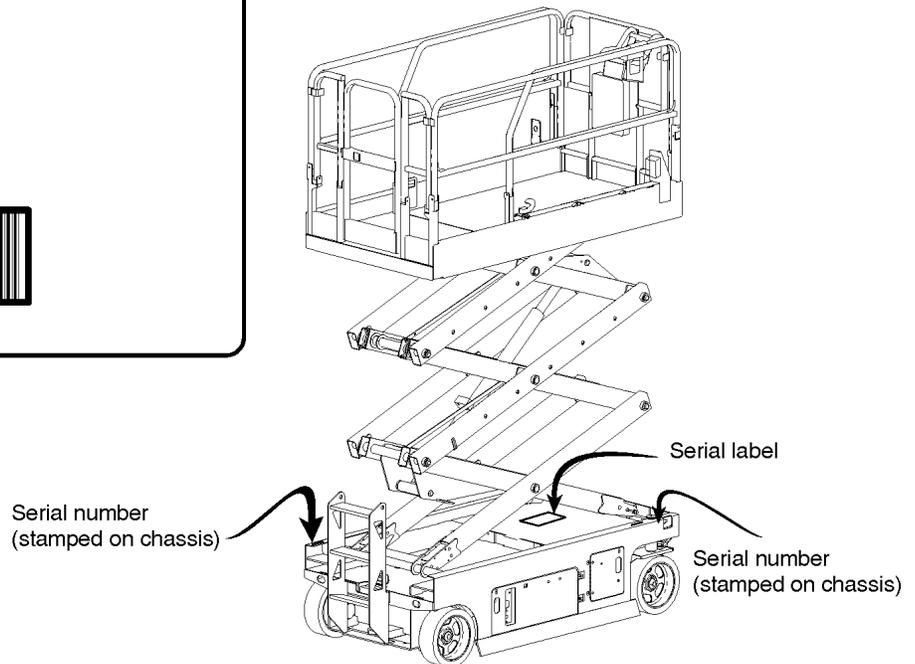
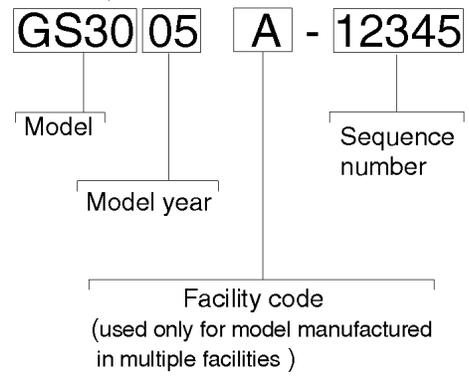
Rated work load (including occupants): 500 lb / 227 kg  
 Maximum allowable inclination of the chassis:  
 N/A

Gradeability: N/A

Maximum allowable side force : 100 lb / 445 N  
 Maximum number of platform occupants:2

Country of manufacture: USA  
 This machine complies with:  
 ANSI A92.6  
 B354.2-

Terex South Dakota, Inc.  
 18340 NE 76th Street  
 Redmond, WA 98052  
 USA

## Table of Contents

This manual is updated frequently. If you have a printed manual, you can keep it up to date by downloading new figures from the Genie website at [www.genielift.com](http://www.genielift.com). For the most up-to-date parts information, visit the Parts Lookup System on the Genie website at [www.genielift.com](http://www.genielift.com).

How to Read Your Serial Number.....	3
Parts Stocking List.....	7
How to Order Parts.....	8
Service Parts Fax Order Form.....	9

**Electronic Version**

Click on any page number to view the figure.

**100 Decals**

101.1 Decals with Words, GS-30.....	10
102.1 Decals with Symbols, GS-30.....	14
103.1 Decals with Words, GS-32.....	16
104.1 Decals with Symbols, GS-32.....	20
105.1 Decals with Words, GS-46.....	24
106.1 Decals with Symbols, GS-46.....	28

**200 Drive Chassis Components**

201.1 Steer Linkage and Wheels, GS-30.....	30
202.1 Steer Linkage and Wheels, GS-32, GS-46.....	32
203.1 Non-steer Axle Installation.....	34
204.1 Ground Controls and Level Sensor Installation.....	38
205.1 Pothole Protection Assembly, GS-30.....	40
206.1 Pothole Protection Assembly, GS-32, GS-46.....	42
207.1 Battery Pack Module (without contactor).....	44
207.2 Battery Pack Module (with contactor).....	46
208.1 Battery Charger.....	48
209.1 Power Unit Module.....	50
210.1 Ground Controls.....	52
211.1 Electrical Wiring and Power Cables (models without contactor).....	54
211.2 Electrical Wiring and Power Cables (models with contactor).....	58

**300 Scissor Components**

301.1 Scissor Assembly Installation.....	62
302.1 Scissor Assembly, GS-1530, GS-1532.....	64
303.1 Scissor Assembly, GS-1930, GS-1932.....	66
303.2 Scissor Assembly, GS-1930, GS-1932 (from SNs GS3006A-84658, GS3006B-80109 and GS3008C-101).....	68

304.1 Scissor Assembly, GS-2032, GS-2046.....	70
305.1 Scissor Assembly, GS-2632, GS-2646.....	72
306.1 Scissor Assembly, GS-3246.....	74

**400 Platform Components**

401.1 Platform Components, GS-30.....	76
402.1 Platform Components, GS-32.....	80
403.1 Platform Components, GS-46.....	84
404.1 Platform Gates, GS-30.....	88
405.1 Power to Platform.....	90
406.1 Platform Control Box, All Models (from SN 60000 to 74999).....	92
406.2 Platform Control Box, All Models (from SN 75000 to 75999).....	94
407.1 Joystick Controller.....	96

**500 Hydraulic Components**

501.1 Hydraulic Components.....	98
502.1 Function Manifold, GS-30.....	100
503.1 Function Manifold, GS-32, GS-46.....	102
504.1 Brake Release Hand Pump Manifold.....	104
505.1 Hydraulic Power Unit.....	106
506.1 Lift Cylinder Assembly.....	108
507.1 Hydraulic Hoses and Fittings, GS-30.....	110
508.1 Hydraulic Hoses and Fittings, GS-32, GS-46.....	112

**600 Accessories**

601.1 Alarm, Horn and Flashing Beacons, All Models.....	116
602.1 Air Line to Platform.....	118
603.1 Platform Work Light.....	120
604.1 Voltage Inverter, GS-30.....	122
605.1 Voltage Inverter, GS-32, GS-46 (from SN GS4603-60000 to GS4604-61131).....	124
605.2 Voltage Inverter, GS-32, GS-46 (from SN GS4604-61131).....	126
606.1 Pipe Cradle Assembly, GS-2046, GS-2646, GS-3246.....	128

**700 Platform Overload Components**

701.1 Platform Overload Components, GS-30.....	130
702.1 Platform Overload, GS-32, GS-46.....	132

**Indices**

Part Number Index.....	134
Part Description Index.....	138

**Cross References**

Fittings Cross Reference.....	144
-------------------------------	-----

***This Page Intentionally Left Blank***



**Required Parts**

The following parts are required to perform maintenance procedures as outlined in the *Genie GS-30, GS-32 and GS-46 Service Manual*.

Description	Part No.
Filter Element, 10 Micron.....	44788
Dielectric Grease.....	66399
Chevron Ultra-duty Grease (Lithium) or equivalent, EP NLGI 1.....(source locally)	
Breather Cap, Hydraulic Tank.....	78546
Cotter Pin, Castle Nut, Steer-end Wheels, GS-32, GS-46.....	13635-10
Cotter Pin, Castle Nut, Steer-end Wheels, GS-30 and Non-steer end Wheels, All Models .....	42079

**Recommended Parts**

Description	Part No.
Genie Blue Paint, 1 Gallon .....	32150
Genie Blue Paint, 12 Ounce Aerosol.....	1484
Genie Gray Paint, 1 Gallon.....	32151
Genie Gray Paint, 12 Ounce Aerosol .....	1268

**Manuals**

Genie Industries offers the following support

Title	Part No.
Genie GS-1530, GS-1532, GS-1930 and GS-1932 Operator's Manual, 2nd Edition (after serial number 59999).....	82510
Genie GS-1530, GS-1532, GS-1930 and GS-1932 Operator's Manual, CE Models, 2nd Edition (after serial number 59999).....	82660
Genie GS-2032 and GS-2632 Operator's Manual, 2nd Edition (after serial number 59999).....	97552
Genie GS-2032 and GS-2632 Operator's Manual, CE Models, 2nd Edition (after serial number 59999).....	97570
Genie GS-2046, GS-2646 and GS-3246 Operator's Manual, 2nd Edition (after serial number 59999).....	82681
Genie GS-2046, GS-2646 and GS-3246 Operator's Manual, CE Models, 2nd Edition (after serial number 59999).....	82785
Genie GS-30, GS-32 and GS-46 Service Manual, 3rd Edition.....	96316
EMI Safety Manual.....	27581
Manual of Responsibilities ANSI A92.6.....	44163

## How To Order Parts

Please be prepared with the following information when ordering replacement parts for your Terex or Genie product:

- Machine model number
- Machine serial number
- Part number
- Part description and quantity
- Purchase order number
- "Ship to" address
- Desired method of shipment
- Name and telephone number of the authorized distributor in your area

Use the Service Parts Fax Order Form on the next page and fax your order to our Parts Department.

If you don't know the name of your authorized distributor, or if your area is not currently serviced by an authorized distributor, please call Terex or Genie Industries.

### Machine Information

---

Model

---

Serial Number

---

Date of Purchase

---

Authorized Genie Distributor

---

Phone Number

#### North America

Telephone (425) 556-6551  
 Toll Free (877) 367-5606 in U.S.A. and Canada  
 Fax (425) 556-8659  
 Toll Free Fax (888) 274-6192

#### Europe

Parts Telephone (31) (165) 519 313  
 Parts Fax (31) (165) 511 148

#### Australia

Parts Telephone (61) (7) 3456 4444  
 Parts Fax (61) (7) 3456 4466

#### South America

Parts Telephone (55) (11) 4082 5600  
 Parts Fax (55) (11) 4082 5630

**Service Parts Fax Order Form**

Fax to: (425) 556-8659 or Toll Free: 888-274-6192  
 International: +1-425-556-8659



**Please fill out completely**

Date \_\_\_\_\_ Account Number \_\_\_\_\_  
 Your Name \_\_\_\_\_ Your Fax Number \_\_\_\_\_  
 \_\_\_\_\_ Your Phone Number \_\_\_\_\_  
 Bill To \_\_\_\_\_ Ship To \_\_\_\_\_  
 \_\_\_\_\_  
 \_\_\_\_\_  
 Purchase Order Number \_\_\_\_\_ Ship Via \_\_\_\_\_

**Model(s)** \_\_\_\_\_ **Serial No.(s)** \_\_\_\_\_

**Optional Equipment** \_\_\_\_\_

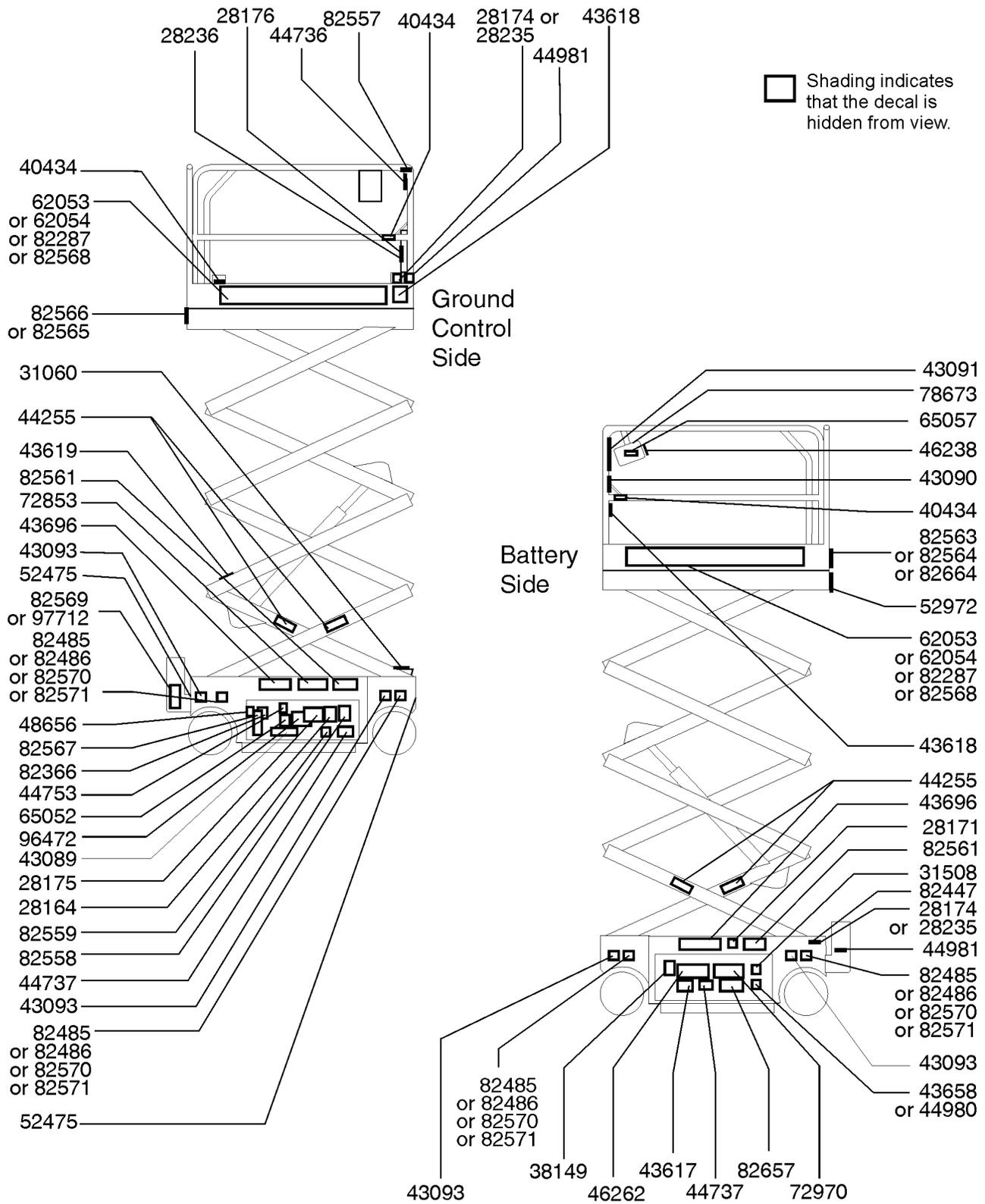
Part Number	Description	Quantity	Price

**All back-ordered parts will be shipped when available via the same ship method as the original order unless Noted below:**

- Ship complete order only - No back orders
- Ship all available parts and contact customer on disposition of back-ordered parts
- Other (please specify)



101.1 Decals with Words, GS-30



101.1 Decals with Words, GS-30

Item	Part No.	Description	Qty.	Item	Part No.	Description	Qty.
A	214905	DECAL KIT,1530 COMP,WRD,ANSI (North American models) (to SN 74999)		U	234940	DECAL KIT,1530 COMP,WRD,AUST (Australia models) (from SN 75000)	
B	214906	DECAL KIT,1530 PLAT,WRD,ANSI (North American models) (to SN 74999)		V	234939	DECAL KIT,1530 PLAT,WRD,AUST (Australia models) (from SN 75000)	
C	214907	DECAL KIT,1930 COMP,WRD,ANSI (North American models) (to SN 74999)		W	234942	DECAL KIT,1930 COMP.WORD,AUSTR (Australia models) (from SN 75000)	
D	214908	DECAL KIT,1930 PLAT,WRD,ANSI (North American models) (to SN 74999)		X	234941	DECAL KIT,1930 PLAT.WORD,AUSTR (Australia models) (from SN 75000)	
E	214909	DECAL KIT,1530 COMP,WRD,AUST (Australia models) (to SN 74999)		1	28164	DECAL,NOTICE,HAZARDOUS MAT'LS*.....1	
F	214910	DECAL KIT,1530 PLAT,WRD,AUST (Australia models) (to SN 74999)		2	28171	DECAL,DANGER,NO SMOKING***.....1	
G	214911	DECAL KIT,1532COMP,WRD,AUS (Australia models) (to SN 74999)		3	28174	DECAL,POWER TO PLATFORM 230V.....2	
H	214912	DECAL KIT,1532 PLAT,WRD,AUS		4	28175	DECAL,COMPARTMENT ACCESS.....1	
I	214913	DECAL KIT,1930 COMP,WRD,AUS (Australia models) (to SN 74999)		5	28176	DECAL,LABEL,MANUAL NOT HERE.....1	
J	214914	DECAL KIT,1930 PLAT,WRD,AUS (Australia models) (to SN 74999)		6	28235	DECAL,POWER TO PLATFORM 115V.....2	
K	214916	DECAL KIT,1932 COMP,WRD,AUS (Australia models) (to SN 74999)		7	28236	DECAL,WARN,IMPROPER OPERATION.....1	
L	214917	DECAL KIT,1932 PLAT,WRD,AUS (Australia models) (to SN 74999)		8	31060	DECAL,DANGER DO NOT ALTER SWTC.....1	
M	233221	DECAL KIT,1530 COMP,WRD,ANSI (North American models) (from SN 75000)		9	31508	DECAL,DANGER,ELECT HAZARD,PLUG.....1	
N	233220	DECAL KIT,1530 PLAT,WRD,ANSI (North American models) (from SN 75000)		10	38149	DECAL,LABEL,PATENTS.....1	
O	233223	DECAL KIT,1532 COMP,WRD,AUS (Australia models) (from SN 75000)		11	40434	DECAL,LANYARD ANCHORAGE POINT.....3	
P	233222	DECAL KIT,1532 PLAT,WRD,AUS (Australia models) (from SN 75000)		12	43089	DECAL,INSTRUCTIONS-OPER,GCP.1	
Q	233225	DECAL KIT,1930 COMP,WRD,ANSI (North American models) (from SN 75000)		13	43090	DECAL,NOTICE, OPER INST, PCP.....1	
R	233224	DECAL KIT, 1930 PLAT,WRD,ANSI (North American models) (from SN 75000)		14	43091	DECAL,DANGER,GENERAL SAFETY.....1	
S	233227	DECAL KIT,1932 COMP,WRD,AUS (Australia models) (from SN 75000)		15	43093	DECAL,LABEL,TIRE SPECS.....4	
T	233226	DECAL KIT,1932 PLAT,WRD,AUS (Australia models) (from SN 75000)		16	43617	DECAL,DANGER,TIP-OVER,BATTERY.1	
				17	43618	DECAL,LABEL-DIRECTION ARROWS.....2	
				18	43619	DECAL,LABEL,SAFETY ARM.....1	
				19	43658	DECAL,LABEL,PWR TO CHARGR 230V.....1	
				20	43696	DECAL,DANGER,ELEC HAZARD,GS.....2	

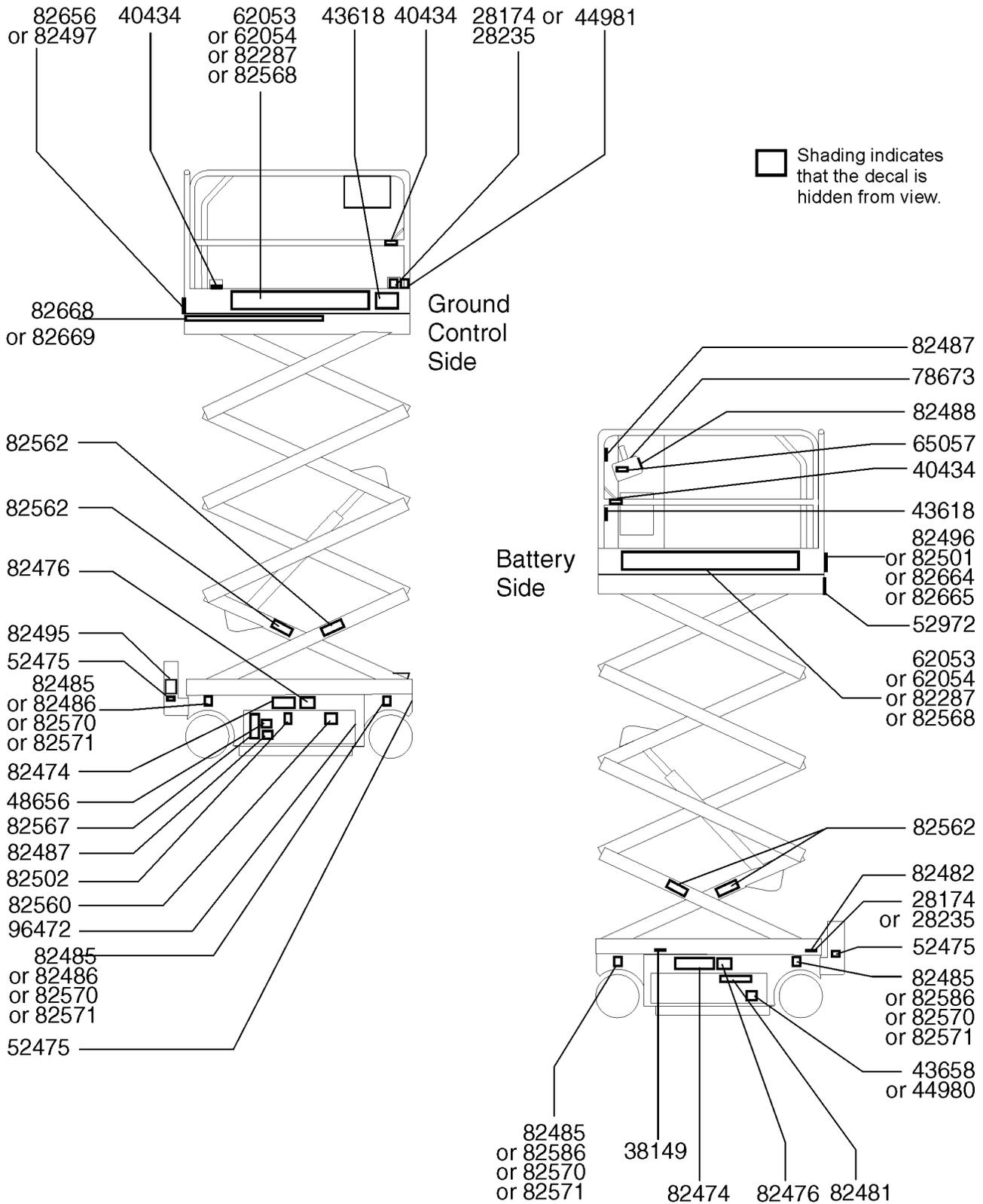


101.1 Decals with Words, GS-30  
(continued)

Item	Part No.	Description	Qty.	Item	Part No.	Description	Qty.
21	44255	DECAL,DANGER,CRUSHING HAZARD.....	4	49	82564	DECAL,INSTR-MAX CAP 600LBS...1 (ANSI and Australia models)	1
22	44736	DECAL,DANGER,TIP-OVER,TILT....	1	50	82565	DECAL,INSTR-SIDE FRC,ANSI.....1 (ANSI & CSA models)	1
23	44737	DECAL,DANGER,TIP-OVER,TRAYS.2		51	82566	DECAL,INSTR-MANUAL FRC,AUS.....1 (Australia models)	1
24	44753	DECAL, LABEL, LED READOUT.....	1	52	82567	DECAL, GROUND CONTROL PANEL.....	1
25	44980	DECAL,LABEL,PWR TO CHARGR 115V.....	1	53	82568	DECAL,COSMETIC,GENIE GS-1532.....	1
26	44981	DECAL,LABEL,AIRLINE 110 PSI.....	2	54	82569	DECAL,DANGER,BRAKE REL SAFETY.....1 (to SN 65103)	1
27	46238	DECAL,NOTICE,ERROR LIGHT.....	1	55	82570	DECAL,LABEL-WHEEL LOAD 1530/32.....	4
28	46262	DECAL,DANGER,BATTERY SAFETY.....	1	56	82571	DECAL,LABEL,WHEEL LOAD 19XX.....	4
29	48656	DECAL, LABEL, YELLOW E STOP.....	1	57	82657	DECAL,INSTRUCT,BATTERY CONNECT.....	1
30	52475	DECAL,LABEL,TRANSPORT TIEDOWN*.....	5	58	82664	DECAL,SYM-MAXCAP CE GS15XX (CE model)	
31	52972	DECAL,CE MARK,3".....	1	59	82665	DECAL,SYM-MAXCAP CE GS19XX symbol decals for GS1930 and GS1932 models	
32	62053	DECAL,COSMETIC,GENIE GS-1530**.....	2	60	96472	SERIAL # LABEL,SCISSORS*****...1 please provide complete model and serial number when ordering	1
33	62054	DECAL,COSMETIC,GENIE GS-1930**.....	2	61	97712	DECAL,DANGER,BRAKE REL SAFETY* (from SN 65104)	
34	65052	DECAL,LABEL,FAULT CODES.....	1				
35	65057	DECAL, LABEL, GS30/32.....	1				
36	72853	DECAL,DANGER,IMPROPER USE HAZ.....	1				
37	72970	DECAL,INSTRUCTIONS-CHARGER OP.....	1				
38	78673	OVERLAY, PLAT CONTRL BOX,GEN4~.....	1				
39	82287	DECAL,COSMETIC,GENIE GS-1932.....	2				
40	82366	DECAL,CHEVRON RANDO HD....	1				
41	82447	DECAL, LABEL,AUX LOWERING....	1				
42	82485	DECAL,LABEL,WHEEL LOAD 1530.....	4				
43	82486	DECAL,LABEL,WHEEL LOAD 1930.....	4				
44	82557	DECAL,LABEL,PLAT CONT LOCATION.....	1				
45	82558	DECAL,SKIN INJECTION.....	1				
46	82559	DECAL,INSTRUCT-ANNUAL INSP REQ.....	1				
47	82561	DECAL,DANGER-USE SAFETY ARM.....	2				
48	82563	DECAL,INSTR-MAX CAP 500 LBS.....1 for GS1930 and GS1932 models	1				

***This Page Intentionally Left Blank***

102.1 Decals with Symbols, GS-30



102.1 Decals with Symbols, GS-30

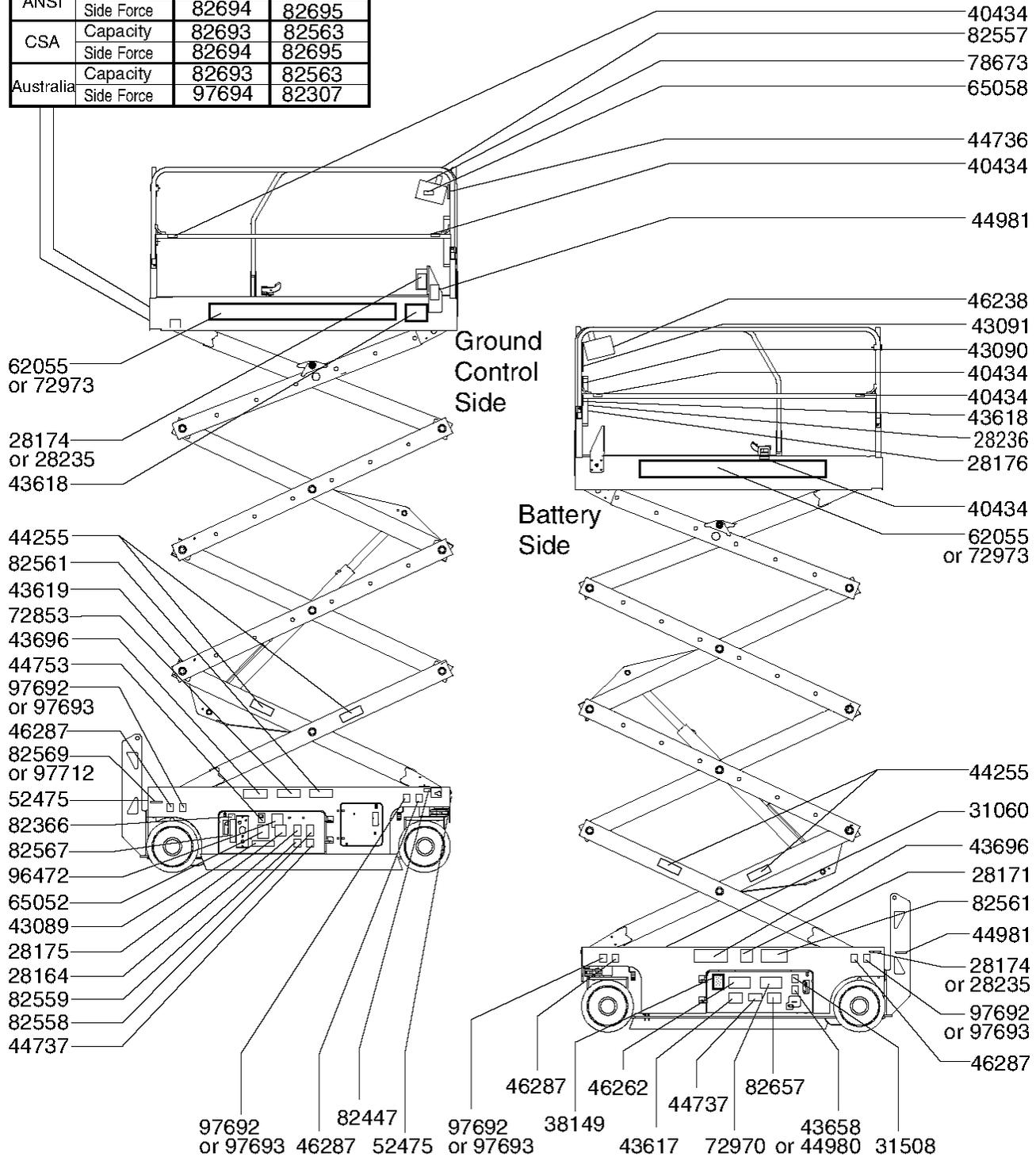
Item	Part No.	Description	Qty.	Item	Part No.	Description	Qty.
A	82556	DECAL KIT,SYMBOL,GS-30/32 <i>(does not include items 1, 2, 3, 6, 7, 8, 9, 11, 12, 13, 14, 16, 22, 23, 27, 29 and 34 through 42)</i>		25	82488	DECAL,LABEL,ERROR LIGHT.....	1
1	28174	DECAL,POWER TO PLATFORM 230V.....	2	26	82495	DECAL,SYMBOL-BRAKE REL SAFETY.....	1
2	28235	DECAL,POWER TO PLATFORM 115V.....	2	27	82496	DECAL,SYM-MAXCAP 500.....	1
3	38149	DECAL,LABEL,PATENTS.....	1	28	82497	DECAL,SYM-SIDEFORCE 200400.....	1
4	40434	DECAL,LANYARD ANCHORAGE POINT.....	3	29	82501	DECAL,SYM-MAXCAP 600.....	1
5	43618	DECAL,LABEL-DIRECTION ARROWS.....	2	30	82502	DECAL,LABEL,LED READOUT.....	1
6	43658	DECAL,LABEL,PWR TO CHARGR 230V.....	1	31	82560	DECAL,SYMBOL-SKIN INJECT HAZRD.....	1
7	44980	DECAL,LABEL,PWR TO CHARGR 115V.....	1	32	82562	DECAL,SYMBOL-CRUSHING HAZARD.....	4
8	44981	DECAL,LABEL,AIRLINE 110 PSI.....	2	33	82567	DECAL, GROUND CONTROL PANEL.....	1
9	48656	DECAL, LABEL, YELLOW E STOP.....	1	34	82568	DECAL,COSMETIC,GENIE GS-1532.....	2
10	52475	DECAL,LABEL,TRANSPORT TIEDOWN*.....	5	35	82570	DECAL,LABEL-WHEEL LOAD 1530/32.....	4
11	52972	DECAL,CE MARK,3".....	1	36	82571	DECAL,LABEL,WHEEL LOAD 19XX.....	4
12	62053	DECAL,COSMETIC,GENIE GS-1530**.....	2	37	82656	DECAL,SYM-SIDE FORCE 445N....	1
13	62054	DECAL,COSMETIC,GENIE GS-1930**.....	2	38	82664	DECAL,SYM-MAXCAP CE GS15XX.....	1
14	65057	DECAL, LABEL, GS30/32.....	1	39	82665	DECAL,SYM-MAXCAP CE GS19XX.....	1
15	78673	OVERLAY, PLAT CONTRL BOX,GEN4~.....	1	40	82668	DECAL,LABEL,CAP IND CE GS15XX <i>(CE models)</i>	
16	82287	DECAL,COSMETIC,GENIE GS-1932.....	2	41	82269	DECAL,LABEL,CAP IND CE19XX...1	
18	82474	DECAL,SYMBOL-USE SAFETY ARM.....	2	41	82669	DECAL,LABEL,CAP IND CE19XX...1 <i>(CE models)</i>	
19	82476	DECAL,SYMBOL-ELEC HAZARD,GS.....	2	43	96472	SERIAL # LABEL,SCISSORS*****...1	
20	82481	DECAL,SYMBOL-BATTERY SAFETY.....	1				
21	82482	DECAL, LABEL,AUX LOWERING....	1				
22	82485	DECAL,LABEL,WHEEL LOAD 1530.....	4				
23	82486	DECAL,LABEL,WHEEL LOAD 1930.....	4				
24	82487	DECAL,SYMBOL-READ THE MANUAL.....	2				



103.1 Decals with Words, GS-32

Decal Part Numbers			
each model requires 1 Capacity decal and 1 Side Force decal			
		GS-2032	GS-2632
ANSI	Capacity	82693	82563
	Side Force	82694	82695
CSA	Capacity	82693	82563
	Side Force	82694	82695
Australia	Capacity	82693	82563
	Side Force	97694	82307

 Shading indicates that the decal is hidden from view.



103.1 Decals with Words, GS-32

Item	Part No.	Description	Qty.	Item	Part No.	Description	Qty.
--	84564	DECAL KIT,SAFE/INST,GS32/46*** (to SN 74999) (does not include items 3, 6, 10, 18, 24, 25, 30, 35, 36, 37, 44 and 48 through 54)		15	43617	DECAL,DANGER,TIP-OVER,BATTERY.1	
				16	43618	DECAL,LABEL-DIRECTION ARROWS.....2	
A	160854	DECAL KIT,2032,PLAT,WORD,ANSI (ANSI models from SN 75000)		17	43619	DECAL,LABEL,SAFETY ARM.....1	
B	160855	DECAL KIT,2032,COMP,WORD,ANSI (ANSI models from SN 75000)		18	43658	DECAL,LABEL,PWR TO CHARGR 230V.....1	
C	160856	DECAL KIT,2032,PLAT,WORD,AUS (Australia models from SN 75000)		19	43696	DECAL,DANGER,ELEC HAZARD,GS.....2	
D	160857	DECAL KIT,2032,COMP,WORD,AUS (Australia models from SN 75000)		20	44255	DECAL,DANGER,CRUSHING HAZARD.....4	
E	160858	DECAL KIT,2632,PLAT,WORD,ANSI (ANSI models from SN 75000)		21	44736	DECAL,DANGER,TIP-OVER,TILT....1	
F	160859	DECAL KIT,2632,COMP,WORD,ANSI (ANSI models from SN 75000)		22	44737	DECAL,DANGER,TIP-OVER,TRAYS.2	
G	160860	DECAL KIT,2632,PLAT,WORD,AUS (Australia models from SN 75000)		23	44753	DECAL,LABEL,LED READOUT....1	
H	160861	DECAL KIT,2632,COMP,WORD,AUS (Australia models from SN 75000)		24	44980	DECAL,LABEL,PWR TO CHARGR 115V.....1	
1	28164	DECAL,NOTICE,HAZARDOUS MAT'LS*.....1		25	44981	DECAL,LABEL,AIRLINE 110 PSI....2	
2	28171	DECAL,DANGER,NO SMOKING***.....1		26	46238	DECAL,NOTICE,ERROR LIGHT....1	
3	28174	DECAL,POWER TO PLATFORM 230V.....2		27	46262	DECAL,DANGER,BATTERY SAFETY.....1	
4	28175	DECAL,COMPARTMENT ACCESS.....1		28	46287	DECAL,LABEL-TIRE SPECS.....4	
5	28176	DECAL,LABEL,MANUAL NOT HERE.....1		29	52475	DECAL,LABEL,TRANSPORT TIEDOWN*.....5	
6	28235	DECAL,POWER TO PLATFORM 115V.....2		30	62055	DECAL,COSMETIC,GENIE GS-2032.....2	
7	28236	DECAL,WARN,IMPROPER OPERATION.....1		31	65052	DECAL,LABEL,FAULT CODES.....1	
8	31060	DECAL,DANGER DO NOT ALTER SWTC.....1		32	65058	DECAL,LABEL,GS32/46.....1	
9	31508	DECAL,DANGER,ELECT HAZARD,PLUG.....1		33	72853	DECAL,DANGER,IMPROPER USE HAZ.....1	
10	38149	DECAL,LABEL,PATENTS.....1		34	72970	DECAL,INSTRUCTIONS-CHARGER OP.....1	
11	40434	DECAL,LANYARD ANCHORAGE POINT.....5		35	72973	DECAL,COSMETIC,GENIE GS-2632**.....2	
12	43089	DECAL,INSTRUCTIONS-OPER,GCP.1		36	78673	OVERLAY, PLAT CONTRL BOX,GEN4~.....1	
13	43090	DECAL,NOTICE, OPER INST, PCP.....1		37	82307	DECAL,INSTR,INDOOR,AUS-26/3232.1 <i>Australia models</i>	
14	43091	DECAL,DANGER,GENERAL SAFETY.....1		38	82366	DECAL,CHEVRON RANDO HD....1	
				39	82447	DECAL,LABEL,AUX LOWERING....1	
				40	82557	DECAL,LABEL,PLAT CONT LOCATION.....1	
				41	82558	DECAL,SKIN INJECTION.....1	
				42	82559	DECAL,INSTRUCT-ANNUAL INSP REQ.....1	

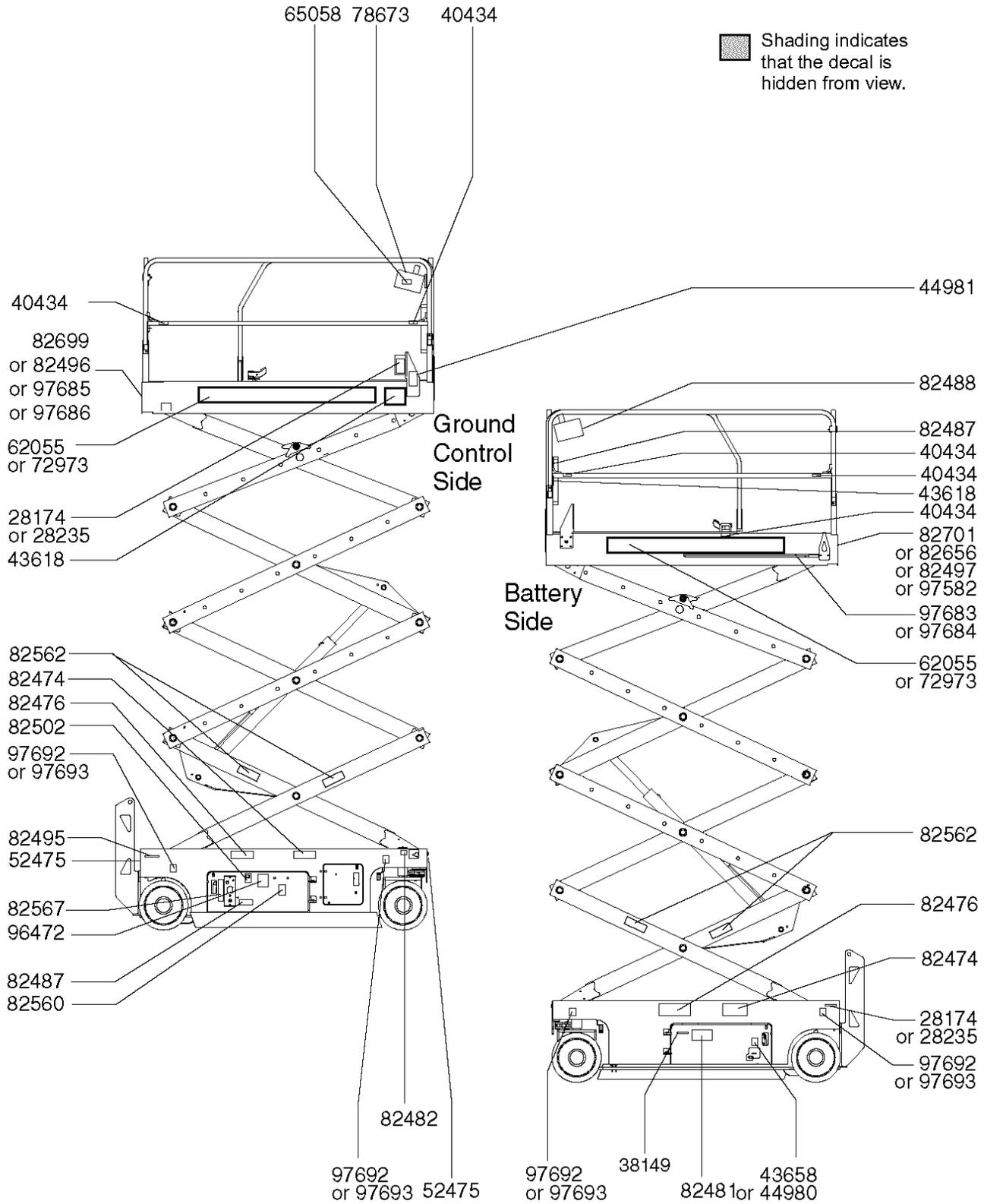


103.1 Decals with Words, GS-32  
(continued)

Item	Part No.	Description	Qty.
43	82561	DECAL,DANGER-USE SAFETY ARM.....	2
44	82563	DECAL,INSTR-MAX CAP 500 LBS..... <i>for GS2632 models</i>	1
45	82567	DECAL, GROUND CONTROL PANEL.....	1
46	82657	DECAL,INSTRUCT,BATTERY CONNECT.....	1
47	82693	DECAL,INSTR-MAX CAP 800 LBS.....	1
48	82694	DECAL,INSTR-SIDE FRC,ANSI 2032..... <i>(ANSI &amp; CSA models)</i>	1
49	82695	DECAL,INSTR-SIDE FRC,ANSI..... <i>ANSI &amp; CSA models</i>	1
50	96472	SERIAL # LABEL,SCISSORS*****	1
51	97692	DECAL,LABEL,WHEEL LOAD 2032.....	4
52	97693	DECAL,LABEL,WHEEL LOAD 2632.....	4
53	97694	DECAL,INSTR-MANUALFRC,AUS 2032..... <i>(Australia models)</i>	1
54	97712	DECAL,DANGER,BRAKE REL SAFETY* <i>(from SN 60000)</i>	

***This Page Intentionally Left Blank***

104.1 Decals with Symbols, GS-32



104.1 Decals with Symbols, GS-32

Item	Part No.	Description	Qty.	Item	Part No.	Description	Qty.
--	82995	DECAL KIT,SYMBOL,GS-32 & 46 (to SN 74999) (does not include items 1, 2, 3, 6, 7, 8, 10, 12, 13, 14, 22, 23 and 28 through 38)		15	82474	DECAL,SYMBOL-USE SAFETY ARM.....	2
A	160863	DECAL KIT,2032,PLAT,SYM,ANSI (ANSI models from SN 75000)		16	82476	DECAL,SYMBOL-ELEC HAZARD,GS.....	2
B	160864	DECAL KIT,2032,COMP,SYM,ANSI (ANSI models from SN 75000)		17	82481	DECAL,SYMBOL-BATTERY SAFETY.....	1
C	160865	DECAL KIT,2032,PLAT,SYM,CE (CE models from SN 75000)		18	82482	DECAL, LABEL,AUX LOWERING....	1
D	160866	DECAL KIT,2032,COMP,SYM,CE (CE models from SN 75000)		19	82487	DECAL,SYMBOL-READ THE MANUAL.....	2
E	160867	DECAL KIT,2632,PLAT,SYM,ANSI (ANSI models from SN 75000)		20	82488	DECAL,LABEL,ERROR LIGHT.....	1
F	160868	DECAL KIT,2632,COMP,SYM,ANSI (ANSI models from SN 75000)		21	82495	DECAL,SYMBOL-BRAKE REL SAFETY.....	1
G	160869	DECAL KIT,2632,PLAT,SYM,CE (CE models from SN 75000)		22	82496	DECAL,SYM-MAXCAP 500.....	1
H	160870	DECAL KIT,2632,COMP,SYM,CE (CE models from SN 75000)		23	82497	DECAL,SYM-SIDEFORCE 200400.....	1
1	28174	DECAL,POWER TO PLATFORM 230V.....	2	24	82502	DECAL,LABEL,LED READOUT.....	1
2	28235	DECAL,POWER TO PLATFORM 115V.....	2	25	82562	DECAL,SYMBOL-CRUSHING HAZARD.....	4
3	38149	DECAL,LABEL,PATENTS.....	1	26	82567	DECAL, GROUND CONTROL PANEL.....	1
4	40434	DECAL,LANYARD ANCHORAGE POINT.....	5	27	82656	DECAL,SYM-SIDE FORCE 445N....	1
5	43618	DECAL,LABEL-DIRECTION ARROWS.....	2	28	82699	DECAL,SYM-MAXCAP 800.....	1
6	43658	DECAL,LABEL,PWR TO CHARGR 230V.....	1	29	82701	DECAL,SYM-SIDE FORCE 534N....	1
7	44980	DECAL,LABEL,PWR TO CHARGR 115V.....	1	30	96472	SERIAL # LABEL,SCISSORS*****	1
8	44981	DECAL,LABEL,AIRLINE 110 PSI....	2	31	97582	DECAL,SYM-SIDEFORCE 400N ID.....	1
9	52475	DECAL,LABEL,TRANSPORT TIEDOWN*.....	5	32	97683	DECAL,LABEL,CAP IND CE GS2032.....	1
10	62055	DECAL,COSMETIC,GENIE GS-2032.....	2	33	97684	DECAL,LABEL,CAP IND CE2632....	1
11	65058	DECAL, LABEL, GS32/46.....	1	34	97685	DECAL,SYM-MAXCAP CE GS2032.....	1
12	72973	DECAL,COSMETIC,GENIE GS-2632**.....	2	35	97686	DECAL,SYM-MAXCAP CE GS2632.....	1
13	78673	OVERLAY, PLAT CONTRL BOX,GEN4~.....	1	36	97692	DECAL,LABEL,WHEEL LOAD 2032.....	4
14	82472	DECAL,WARNING,CRUSHING HAZARD.....	1			GS-2032	



104.1 Decals with Symbols, GS-32  
(continued)

Item	Part No.	Description	Qty.
37	97693	DECAL,LABEL,WHEEL LOAD 2632.....	4

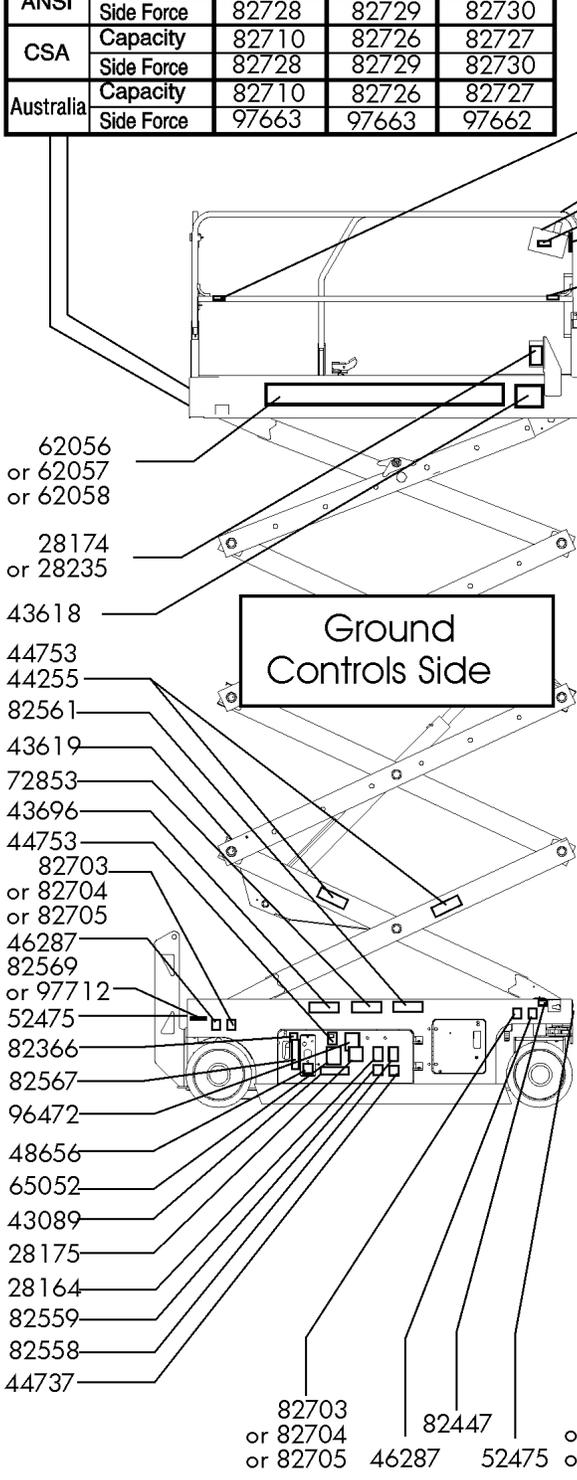


***This Page Intentionally Left Blank***

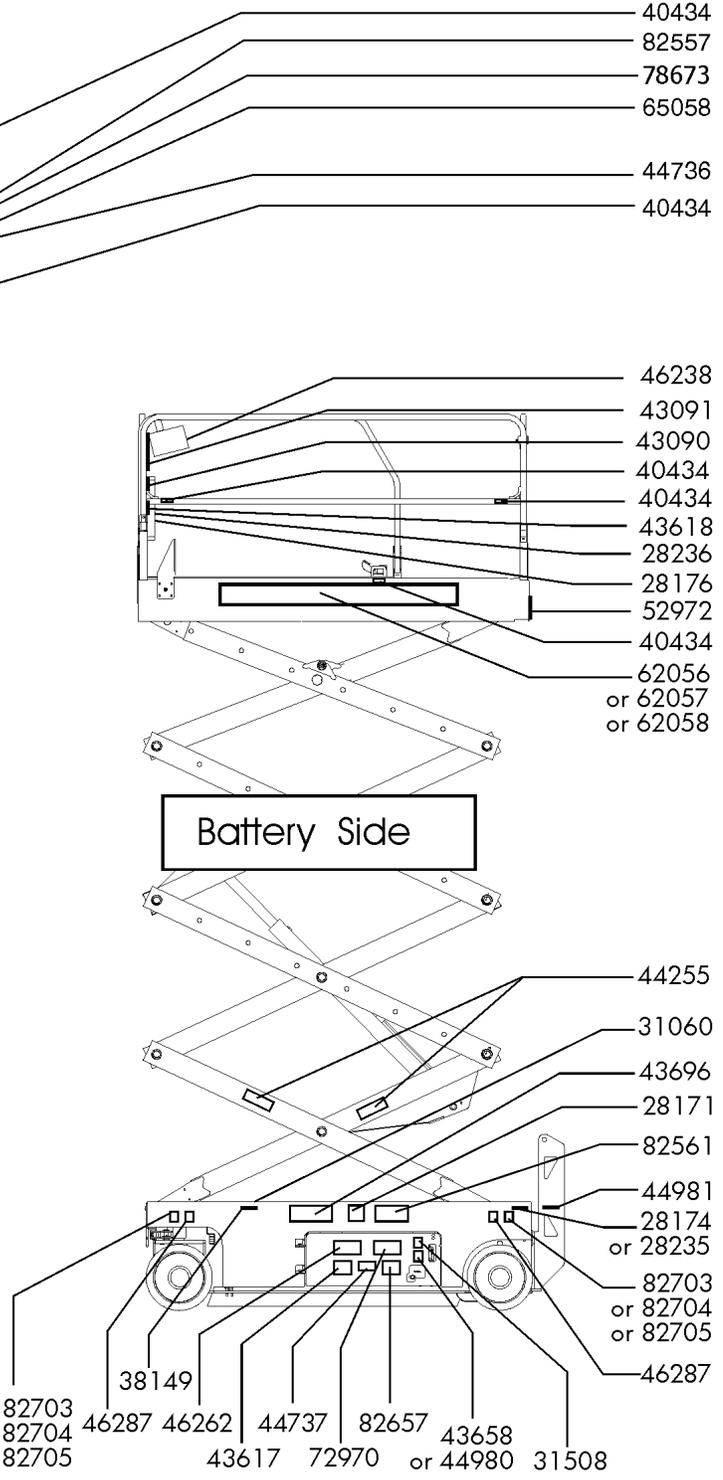
105.1 Decals with Words, GS-46

Decal Part Numbers				
each model requires 1 Capacity decal and 1 Side Force decal				
		GS-2046	GS-2646	GS-3246
ANSI	Capacity	82710	82726	82727
	Side Force	82728	82729	82730
CSA	Capacity	82710	82726	82727
	Side Force	82728	82729	82730
Australia	Capacity	82710	82726	82727
	Side Force	97663	97663	97662

☐ Shading indicates that the decal is hidden from view.



Ground Controls Side



Battery Side



105.1 Decals with Words, GS-46

Item	Part No.	Description	Qty.	Item	Part No.	Description	Qty.
--	84564	DECAL KIT,SAFE/INST,GS32/46*** <i>(does not include items 3, 6, 10, 17, 23, 24, 30, 31, 32, 35, 38 and 48 through 59)</i>		24	44981	DECAL,LABEL,AIRLINE 110 PSI.....	2
1	28164	DECAL,NOTICE,HAZARDOUS MAT'LS*.....	1	25	46238	DECAL,NOTICE,ERROR LIGHT.....	1
2	28171	DECAL,DANGER,NO SMOKING***.....	1	26	46262	DECAL,DANGER,BATTERY SAFETY.....	1
3	28174	DECAL,POWER TO PLATFORM 230V.....	2	27	46287	DECAL,LABEL-TIRE SPECS.....	4
4	28175	DECAL,COMPARTMENT ACCESS.....	1	28	48656	DECAL, LABEL, YELLOW E STOP.....	1
5	28176	DECAL,LABEL,MANUAL NOT HERE.....	1	29	52475	DECAL,LABEL,TRANSPORT TIEDOWN*.....	5
6	28235	DECAL,POWER TO PLATFORM 115V.....	2	30	52972	DECAL,CE MARK,3".....	1
6	28236	DECAL,WARN,IMPROPER OPERATION.....	1	31	62056	DECAL,COSMETIC,GENIE GS-2046**.....	2
7	31060	DECAL,DANGER DO NOT ALTER SWTC.....	1	32	62057	DECAL,COSMETIC,GENIE GS-2646.....	2
8	31508	DECAL,DANGER,ELECT HAZARD,PLUG.....	1	33	62058	DECAL,COSMETIC,GENIE GS-3246.....	2
9	40434	DECAL,LANYARD ANCHORAGE POINT.....	5	34	65052	DECAL,LABEL,FAULT CODES.....	1
10	38149	DECAL,LABEL,PATENTS.....	1	35	65058	DECAL, LABEL, GS32/46.....	1
11	43089	DECAL,INSTRUCTIONS-OPER,GCP.1		36	72853	DECAL,DANGER,IMPROPER USE HAZ.....	1
12	43090	DECAL,NOTICE, OPER INST, PCP.....	1	37	72970	DECAL,INSTRUCTIONS-CHARGER OP.....	1
13	43091	DECAL,DANGER,GENERAL SAFETY.....	1	38	78673	OVERLAY, PLAT CONTRL BOX,GEN4~.....	1
14	43617	DECAL,DANGER,TIP-OVER,BATTERY.1		39	82366	DECAL,CHEVRON RANDO HD.....	1
15	43618	DECAL,LABEL-DIRECTION ARROWS.....	2	40	82447	DECAL, LABEL,AUX LOWERING.....	1
16	43619	DECAL,LABEL,SAFETY ARM.....	1	41	82557	DECAL,LABEL,PLAT CONT LOCATION.....	1
17	43658	DECAL,LABEL,PWR TO CHARGR 230V.....	1	42	82558	DECAL,SKIN INJECTION.....	1
18	43696	DECAL,DANGER,ELEC HAZARD,GS.....	2	43	82559	DECAL,INSTRUCT-ANNUAL INSP REQ.....	1
19	44255	DECAL,DANGER,CRUSHING HAZARD.....	4	44	82561	DECAL,DANGER-USE SAFETY ARM.....	2
20	44736	DECAL,DANGER,TIP-OVER,TILT....	1	45	82567	DECAL, GROUND CONTROL PANEL.....	1
21	44737	DECAL,DANGER,TIP-OVER,TRAYS.2		46	97712	DECAL,DANGER,BRAKE REL SAFETY*..... <i>(from SN 60000)</i>	1
22	44753	DECAL, LABEL, LED READOUT.....	1	47	82657	DECAL,INSTRUCT,BATTERY CONNECT.....	1
23	44980	DECAL,LABEL,PWR TO CHARGR 115V.....	1	48	82703	DECAL,LABEL,WHEEL LOAD 2046.....	4
				49	82704	DECAL,LABEL,WHEEL LOAD 2646.....	4

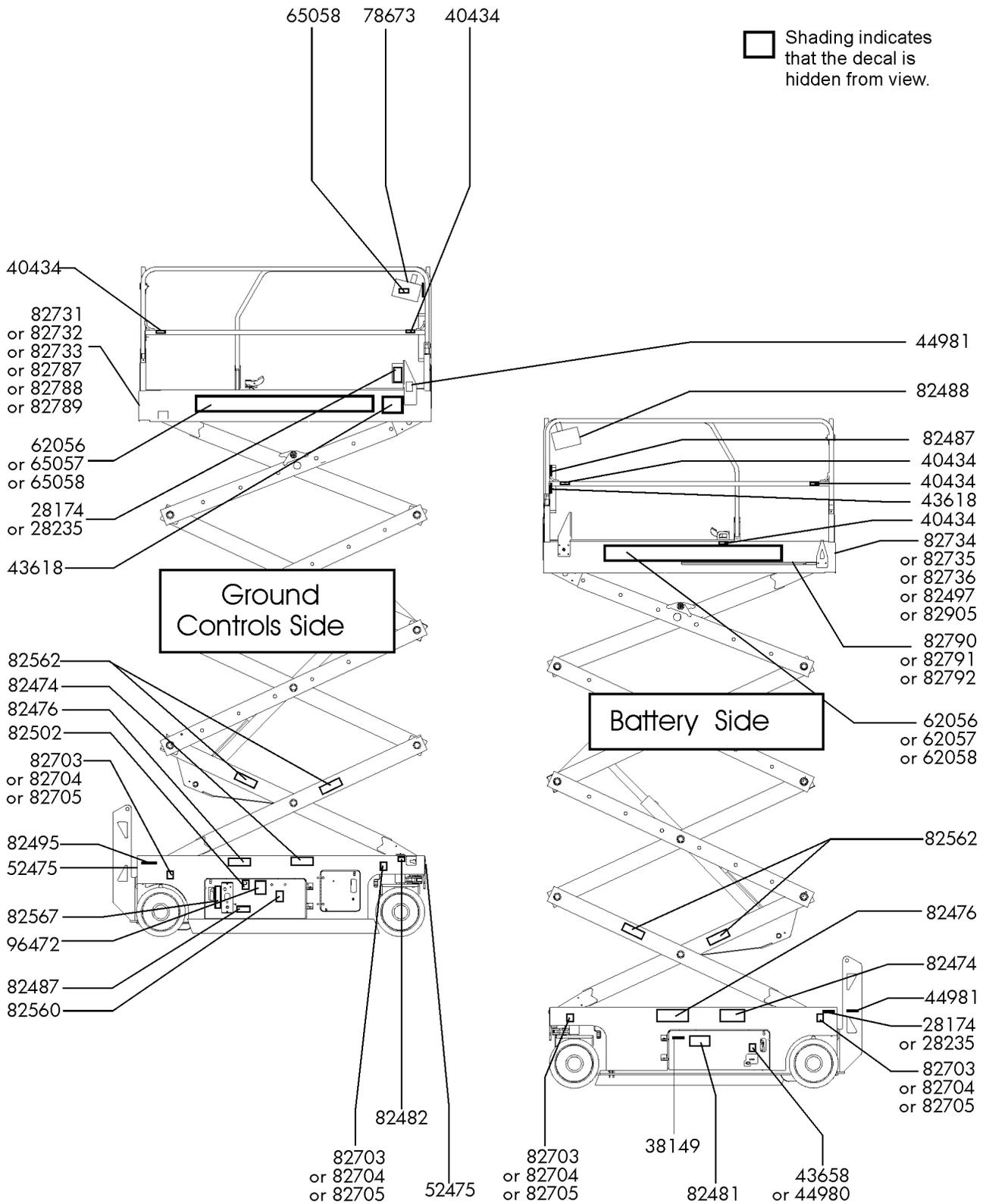


105.1 Decals with Words, GS-46  
(continued)

Item	Part No.	Description	Qty.
50	82705	DECAL,LABEL,WHEEL LOAD 3246.....	4
51	82710	DECAL,INSTR-MAX CAP 1200LBS..... GS-2046	1
52	82726	DECAL,INSTRUCT,MAXCAP1000LBS.1. GS-2646	1
53	82727	DECAL,INSTR-MAX CAP 700LBS...1 GS-3246	1
54	82728	DECAL,INSTR-SIDE FRC,ANSI 2046..... (ANSI & CSA models)	1
55	82729	NOTICE,SIDE FRC ANSI2646..... (ANSI & CSA models)	1
56	82730	DECAL,INSTR-SIDE FRC,ANSI 3246..... (ANSI & CSA models)	1
57	97662	DECAL,INSTR-MANUALFRC,AUS 3246..... (Australia models)	1
58	97663	DECAL,INSTR-MANUALFRC,AUS 400N..... GS-2046, GS-2646 (Australia models)	1
59	96472	SERIAL # LABEL,SCISSORS*****	1

***This Page Intentionally Left Blank***

106.1 Decals with Symbols, GS-46

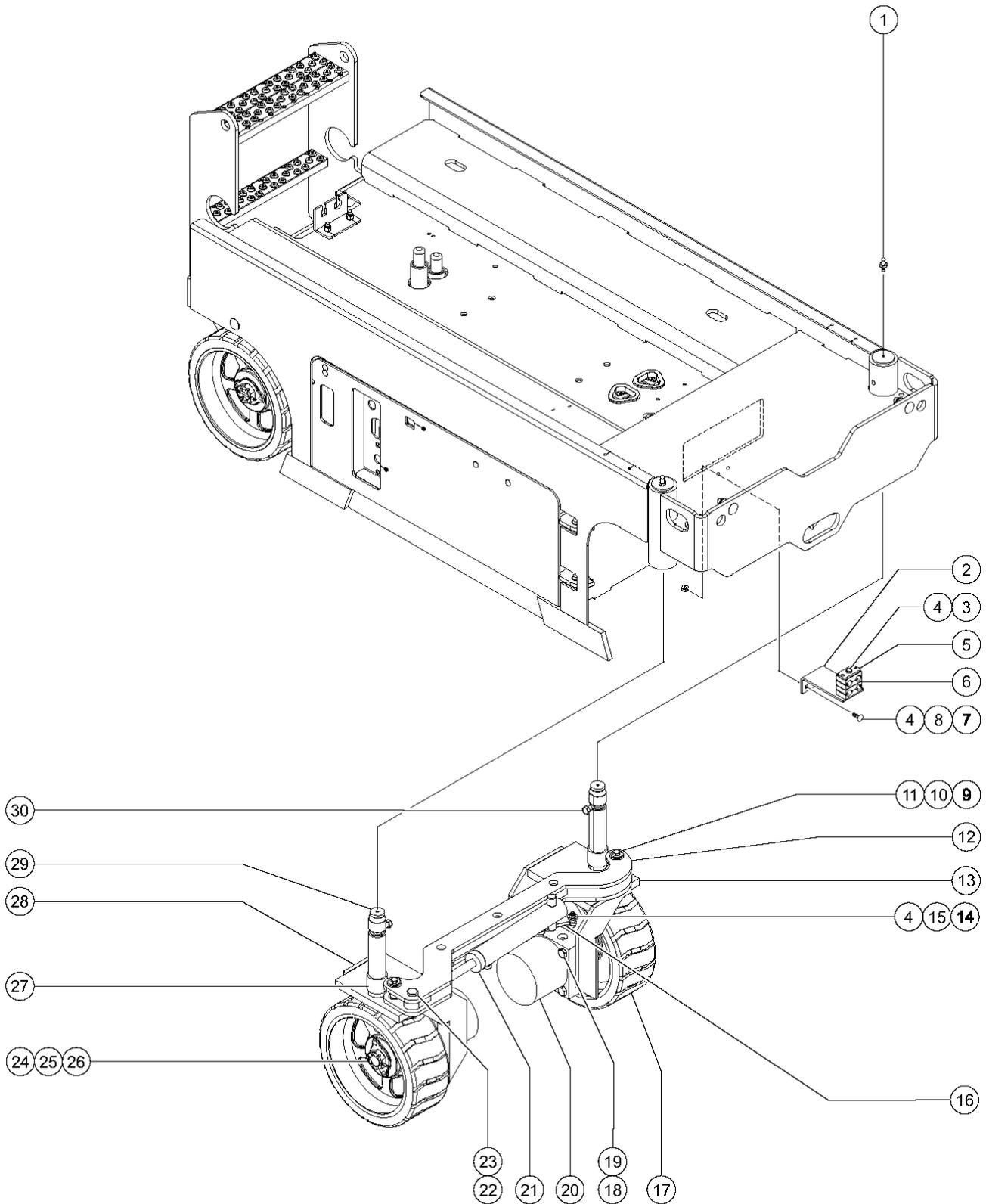


106.1 Decals with Symbols, GS-46

Item	Part No.	Description	Qty.	Item	Part No.	Description	Qty.
--	82995	DECAL KIT,SYMBOL,GS-32 & 46 (does not include items 1, 2, 3, 6, 7, 8, 10, 11, 12, 14, 22 and 27 through 43)		26	82567	DECAL, GROUND CONTROL PANEL.....	1
1	28174	DECAL,POWER TO PLATFORM 230V.....	2	29	82705	DECAL,LABEL,WHEEL LOAD 3246.....	4
2	28235	DECAL,POWER TO PLATFORM 115V.....	2	32	82733	DECAL,SYM-MAXCAP 700.....	1
3	38149	DECAL,LABEL,PATENTS.....	1	35	82736	DECAL,SYM-SIDE FORCE 3246.....	1
4	40434	DECAL,LANYARD ANCHORAGE POINT.....	5	38	82789	DECAL,SYM-MAX CAP CE GS3246.....	1
5	43618	DECAL,LABEL-DIRECTION ARROWS.....	2	41	82792	DECAL,LABEL,CAP IND CE GS3246.....	1
6	43658	DECAL,LABEL,PWR TO CHARGR 230V.....	1	43	96472	SERIAL # LABEL,SCISSORS*****	1
7	44980	DECAL,LABEL,PWR TO CHARGR 115V.....	1				
8	44981	DECAL,LABEL,AIRLINE 110 PSI.....	2				
9	52475	DECAL,LABEL,TRANSPORT TIEDOWN*.....	5				
12	62058	DECAL,COSMETIC,GENIE GS-3246.....	2				
13	65058	DECAL, LABEL, GS32/46.....	1				
14	78673	OVERLAY, PLAT CONTRL BOX,GEN4~.....	1				
15	82474	DECAL,SYMBOL-USE SAFETY ARM.....	2				
16	82476	DECAL,SYMBOL-ELEC HAZARD,GS.....	2				
17	82481	DECAL,SYMBOL-BATTERY SAFETY.....	1				
18	82482	DECAL, LABEL,AUX LOWERING.....	1				
19	82487	DECAL,SYMBOL-READ THE MANUAL.....	2				
20	82488	DECAL,LABEL,ERROR LIGHT.....	1				
21	82495	DECAL,SYMBOL-BRAKE REL SAFETY.....	1				
22	82497	DECAL,SYM-SIDEFORCE 200400.....	1				
23	82502	DECAL,LABEL,LED READOUT.....	1				
24	82560	DECAL,SYMBOL-SKIN INJECT HAZRD.....	1				
25	82562	DECAL,SYMBOL-CRUSHING HAZARD.....	4				



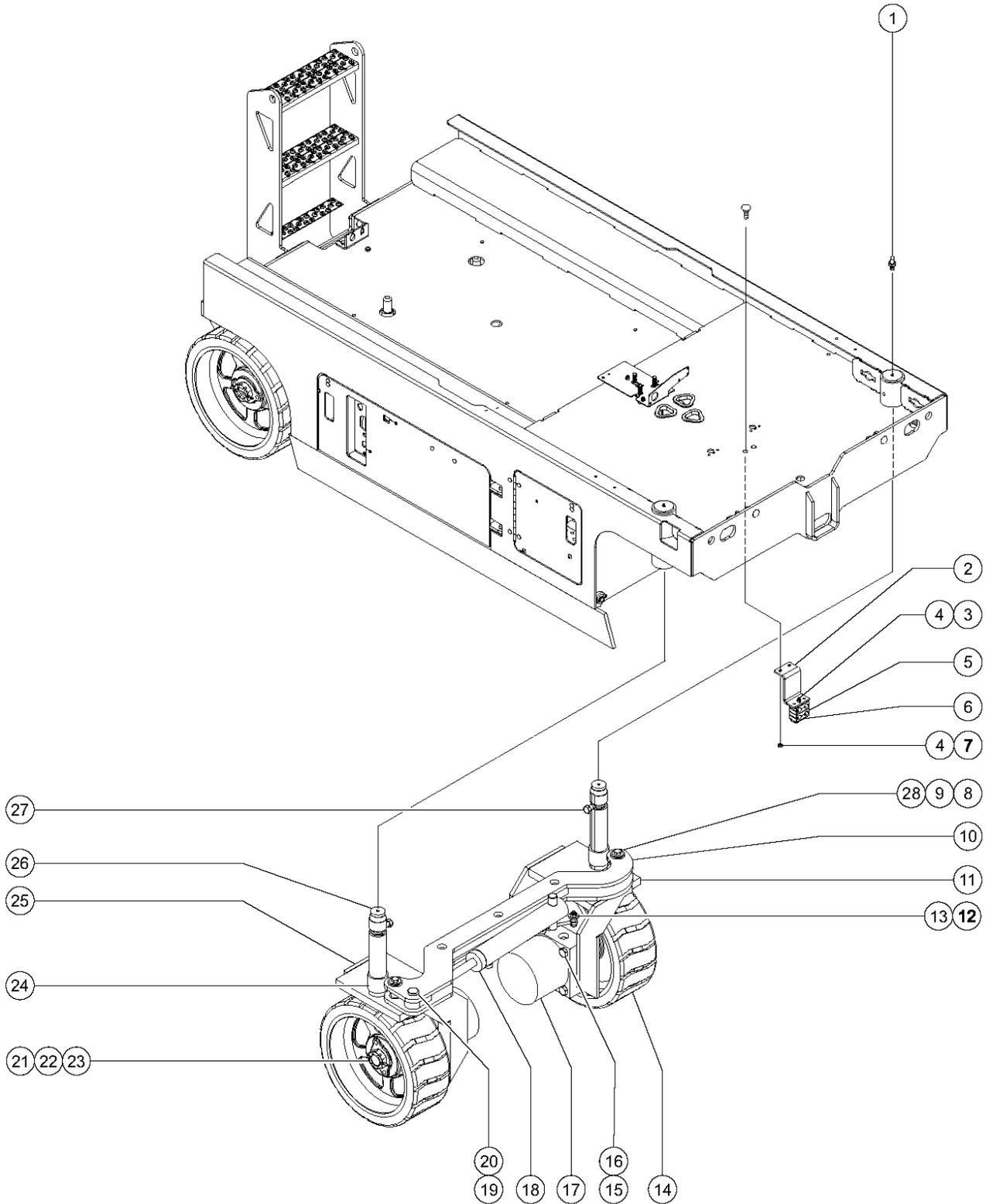
201.1 Steer Linkage and Wheels, GS-30



## 201.1 Steer Linkage and Wheels, GS-30

Item	Part No.	Description	Qty.
1	66770	FITTING,STRAIGHT DRIVE-IN ZERK.....	2
2	105051	FORMING,HOSE CLAMP SUPPORT ..... <i>(from SN 63151)</i>	1
3	144374	SCREW,HHC,1/4-20X3.25,GR8	
4	6091	NUT,NYLOCK,1/4-20	
5	58592	PLATE,HOSE ROUTG,BULKHEAD(PTD).....	1
6	78736	CLAMP,2 HOSE,PLASTIC,5/8.....	4
7	9116	BOLT,CARRIAGE,1/4-20 X 1.25,G2 <i>(from SN 63151)</i>	
8	6638	WASHER,FLAT,USS,1/4"Y <i>(from SN 63151)</i>	
9	8255	SCREW,HHC,3/8-16 X .75	
10	6097	WASHER,FLAT,USS,3/8",Y	
11	47548	BEARING,FL,0.75ID X 1 OD X .49.....	2
12	84571	TIE ROD ASSEMBLY.....	1
13	96068	WELDMENT, STR YOKE, 30 MINI LT.....	1
14	6888	SCREW,HHC,1/4-20 X 1	
15	96258	PIN,STEER CYLINDER.....	1
16	45748	ROD END,.250 X 2.75 LG.....	1
17	105122	WHEEL & TIRE ASSY,LP,12"***.....	2
18	8357	SCREW,HHC,1/2-13 X 3.5	
19	6198	NUT,NYLOCK,1/2-13	
20		Ref. Drive Motor <i>(refer to 501.1)</i>	
21		Ref. Steer Cylinder <i>(refer to 501.1)</i>	
22	6545	PIN,CLEVIS,.75 X 2.....	1
23	21253	CLIP,HAIR PIN .125 X 2.....	1
24	44780	NUT,CASTLE,1.125-18 UNEF.....	2
25	44781	KEY,RECTANGULAR,.31X.28X1.25".....	2
26	42079	PIN,COTTER,.156 X 2.5.....	2
27	45071	BEARING,1.5IDX1.75ODX1.5L.....	2
28	96069	WELDMENT, STR YOKE, 30 MINI RT..... <i>(ground controls side)</i>	1
29	105565	WASHER,THRUST, GS.....	2
30	55917	SCREW, YOKE LOCK ALL SLABS	

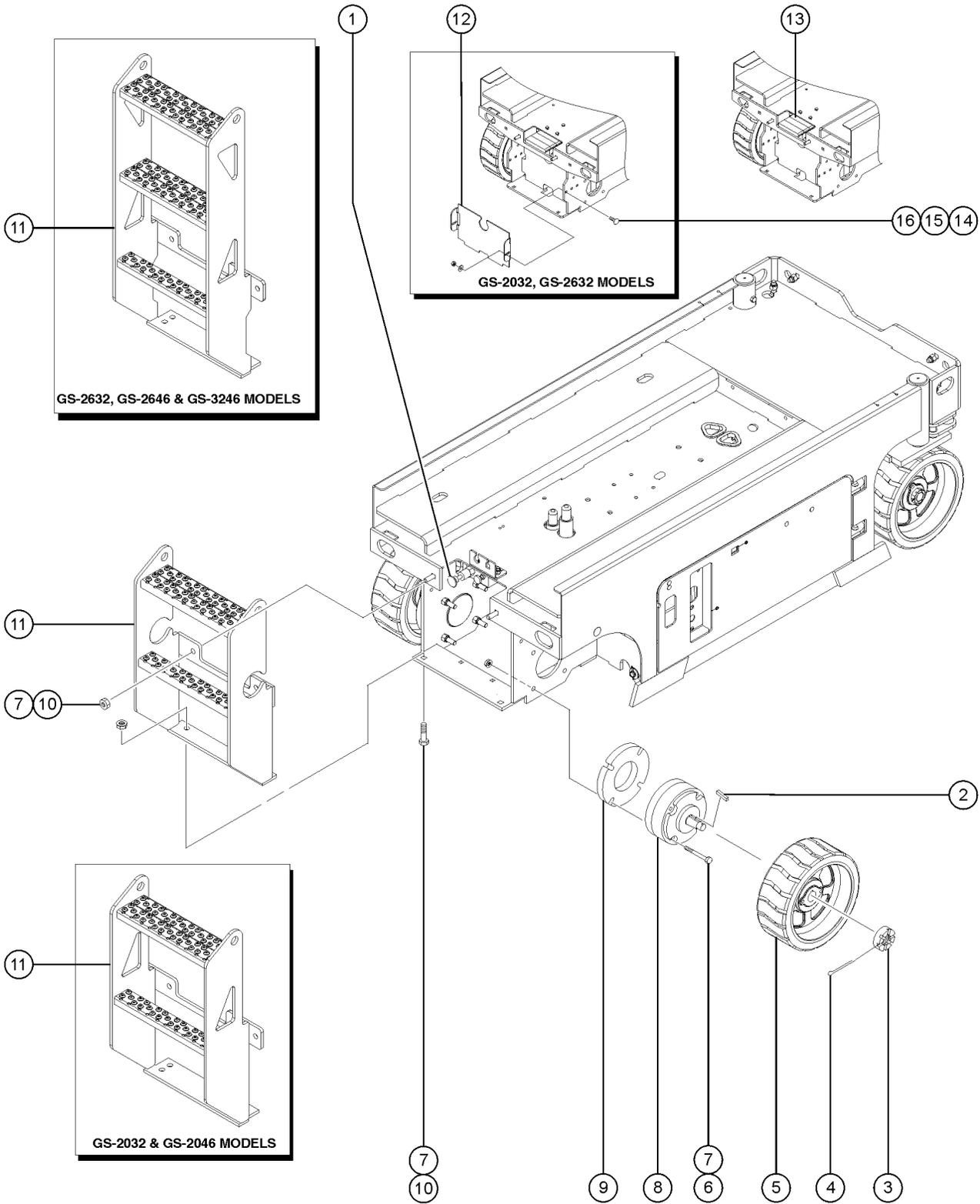
202.1 Steer Linkage and Wheels, GS-32, GS-46



## 202.1 Steer Linkage and Wheels, GS-32, GS-46

Item	Part No.	Description	Qty.
1	66770	FITTING,STRAIGHT DRIVE-IN ZERK.....	2
2	230364	FORMING,HOSE CLAMP SPT,PTD,BLU.....	1
3	144374	SCREW,HHC,1/4-20X3.25,GR8	
4	6091	NUT,NYLOCK,1/4-20	
5	78736	CLAMP,2 HOSE,PLASTIC,5/8.....	4
6	58592	PLATE,HOSE ROUTG,BULKHEAD(PTD).....	1
7	6878	BOLT,CARRIAGE,1/4-20 X .75,G2	
8	8255	SCREW,HHC,3/8-16 X .75	
9	15086	WASHER,FLAT,.375 X 1.5 X .125	
10	84699	TIE ROD ASSEMBLY, GS32.....	1
10	97267	TIE ROD ASSY, GS46	
11	96573	WLDMT,STEER YOKE,LT,GS32/46..... <i>(battery pack side)</i>	1
12	96423	RUE RING,3/4 PIN.....	1
13	96907	PIN,CLEVIS,0.75 X 3.25".....	1
14	105454	WHEEL & TIRE ASSY LP,15".....	2
15	8357	SCREW,HHC,1/2-13 X 3.5	
16	6198	NUT,NYLOCK,1/2-13	
17		Ref. Drive Motor <i>(refer to 501.1)</i>	
18		Ref. Steer Cylinder <i>(refer to 501.1)</i>	
19	6545	PIN,CLEVIS,.75 X 2.....	1
20	21253	CLIP,HAIR PIN .125 X 2.....	1
21	44780	NUT,CASTLE,1.125-18 UNEF.....	2
22	13635-10	PIN,COTTER,.156 X 1.75.....	2
23	44781	KEY,RECTANGULAR,.31X.28X1.25"*	2
24	18722	BEARING,2.25IDX2.50ODX1.50L*	
25	96572	WLDMT,STEER YOKE,RT,GS32/46..... <i>(ground controls side)</i>	1
26	105565	WASHER,THRUST, GS.....	2
27	55917	SCREW, YOKE LOCK ALL SLABS	
28	47946	BEARING,1.00IDX1.25ODX0.49L....	2

203.1 Non-steer Axle Installation



203.1 Non-steer Axle Installation

Item	Part No.	Description	Qty.	Item	Part No.	Description	Qty.
1		Ref. Brake Release Manifold <i>(refer to 503.1)</i>		13	96321	WLDMT.WHEEL COUNTERWEIGHT.....1 GS-1530, 1532, 1930, 1932 <i>(under chassis, above left rear wheel) (from SN 60000 to 63226)</i>	
2	44781	KEY,RECTANGULAR,.31X.28X1.25".2		13A	96465	WELDMENT, 1532 COUNTERWT, CE.....1 GS-1530 CE & AUSTRALIA INDOOR <i>(from SN 64511)</i>	
3	44780	NUT,CASTLE,1.125-18 UNEF.....2		13B	96465	WELDMENT, 1532 COUNTERWT, CE.....1 GS-1532 CE & AUSTRALIA <i>(inside rear chassis)</i>	
4	42079	PIN,COTTER,.156 X 2.5.....2		13C	66692	COUNTERWEIGHT,REAR GS***.....2 GS-1930 CE & AUSTRALIA INDOOR <i>(on top of chassis) (from SN 63959 to 72763)</i>	
5		Ref. Tire and Wheel Assembly <i>(refer to 201.1 or 202.1)</i>		13D	66692	COUNTERWEIGHT,REAR GS***.....1 GS-1930 CE & AUSTRALIA INDOOR <i>(on top of chassis) (from SN 72764 to A85006, TO B80468)</i>	
6	8357	SCREW,HHC,1/2-13 X 3.5		13E	96466	COUNTERWEIGHT,CAST,CE,1930/32.1 GS-1930 CE & AUSTRALIA INDOOR <i>(inside rear chassis) (from SN 63959)</i>	
6A	78732	SCREW,HHC,1/2-13 X 5 GR5, PLT GS-1532, GS-1932		13F	105261	HOSE, ASSY, UPPER VENT.....6 GS-1930 CE & AUSTRALIA INDOOR <i>(inside rear chassis) (from SN 72764 to A85006, TO B80468)</i>	
7	6198	NUT,NYLOCK,1/2-13		13G	105261	HOSE, ASSY, UPPER VENT.....6 GS-1932 CE & AUSTRALIA <i>(inside rear chassis) (from SN 72764 to A85006, TO B80468)</i>	
8		Ref. Brake <i>(refer to 501.1)</i>		13H	66692	COUNTERWEIGHT,REAR GS***.....2 GS-1932 CE & AUSTRALIA <i>(on top of chassis) (from SN 60000 to 72763)</i>	
9	78680	PLATE,BRAKE SPACER.....2 GS-1532, GS-1932		13J	66692	COUNTERWEIGHT,REAR GS***.....1 GS-1932 CE & AUSTRALIA <i>(on top of chassis) (from SN 72764 to A85006, TO B80468)</i>	
10	96977	BOLT,CARRIAGE,1/2-13X1.50,GR5		13K	96466	COUNTERWEIGHT,CAST,CE,1930/32.1 GS-1932 CE & AUSTRALIA <i>(inside rear chassis)</i>	
11	144375	LADDER ASSY,GS30,WORD,ENG.....1 GS-30		13L	105080	COUNTERWEIGHT,GS32,REAR.....4 GS-2032 CE & AUSTRALIA <i>(inside rear chassis)</i>	
11A	144381	LADDER ASSY,WORD,20XX,ENG.....1 GS-2032, GS-2046		13M	105080	COUNTERWEIGHT,GS32,REAR.....1 GS-2632 ANSI <i>(inside rear chassis)</i>	
11B	144382	LADDER ASSY,20XX,WORD,AUS,ENG GS-2032, GS-2046		13N	144142	COUNTERWEIGHT,SVC,GSXX32...8 GS-2632 CE & AUSTRALIA <i>(inside rear chassis)</i>	
11C	144383	LADDER ASSY,20XX,WORD,FR GS-2032, GS-2046					
11D	144385	LADDER ASSY,20XX,SYM GS-2032, GS-2046					
11E	144387	LADDER ASSY,26XX-32XX,WORD,ENG.....1 GS-2632, GS-2646, GS-3246					
11F	144388	LADR ASSY,26XX-32XX,WORD,AUS,E GS-2632, GS-2646, GS-3246					
11G	144389	LADDER ASSY,26XX-32XX,WORD,FR GS-2632, GS-2646, GS-3246					
11H	144391	LADDER ASSY,26XX-32XX,SYM GS-2632, GS-2646, GS-3246					
12	105140	FORMING,CWT,COVER,GS32.....1 GS-2032, GS-2632 <i>(shown)</i>					
12A	105066	PLATE, CWGT COVER, GS46.....1 GS-46					
--	96886	FORMING, CWT CLAMP.....1 GS-46					

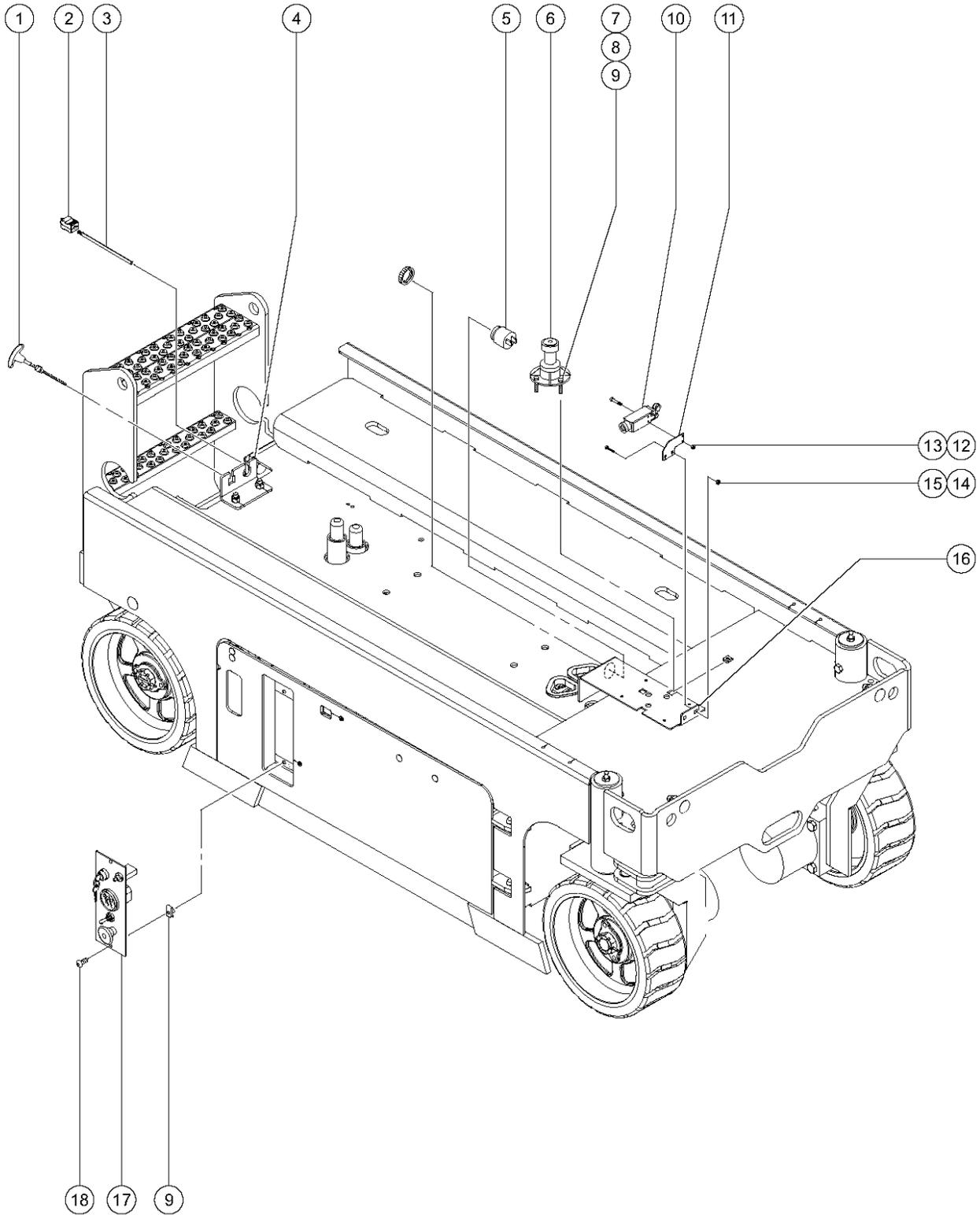


### 203.1 Non-steer Axle Installation (continued)

Item	Part No.	Description	Qty.
13P	105100	PLATE,CWGT,GS32 REAR.....1 GS-2632 ANSI (rear stack plate)	
13Q	96887	CWT, REAR, XX46.....2 GS-2046 CE & AUSTRALIA (inside rear chassis)	
13R	96887	CWT, REAR, XX46.....3 GS-2646 CE & AUSTRALIA (inside rear chassis)	
13S	96876	COUNTERWEIGHT, BELLY.....1 GS-2646, 3246 CE & AUSTRALIA (inside front center of chassis)	
13T	96887	CWT, REAR, XX46.....4 GS-3246 ANSI (inside rear chassis)	
13U	96887	CWT, REAR, XX46.....6 GS-3246 CE & AUSTRALIA (inside rear chassis)	
14	105092	BOLT,CARRIAGE,3/8-16X1.25,GR5	
14A	96977	BOLT,CARRIAGE,1/2-13X1.50,GR5 GS-46	
15	6097	WASHER,FLAT,USS,3/8",Y	
16	4828	NUT,NYLOCK,3/8-16	
16A	6097	WASHER,FLAT,USS,3/8",Y GS-46	

***This Page Intentionally Left Blank***

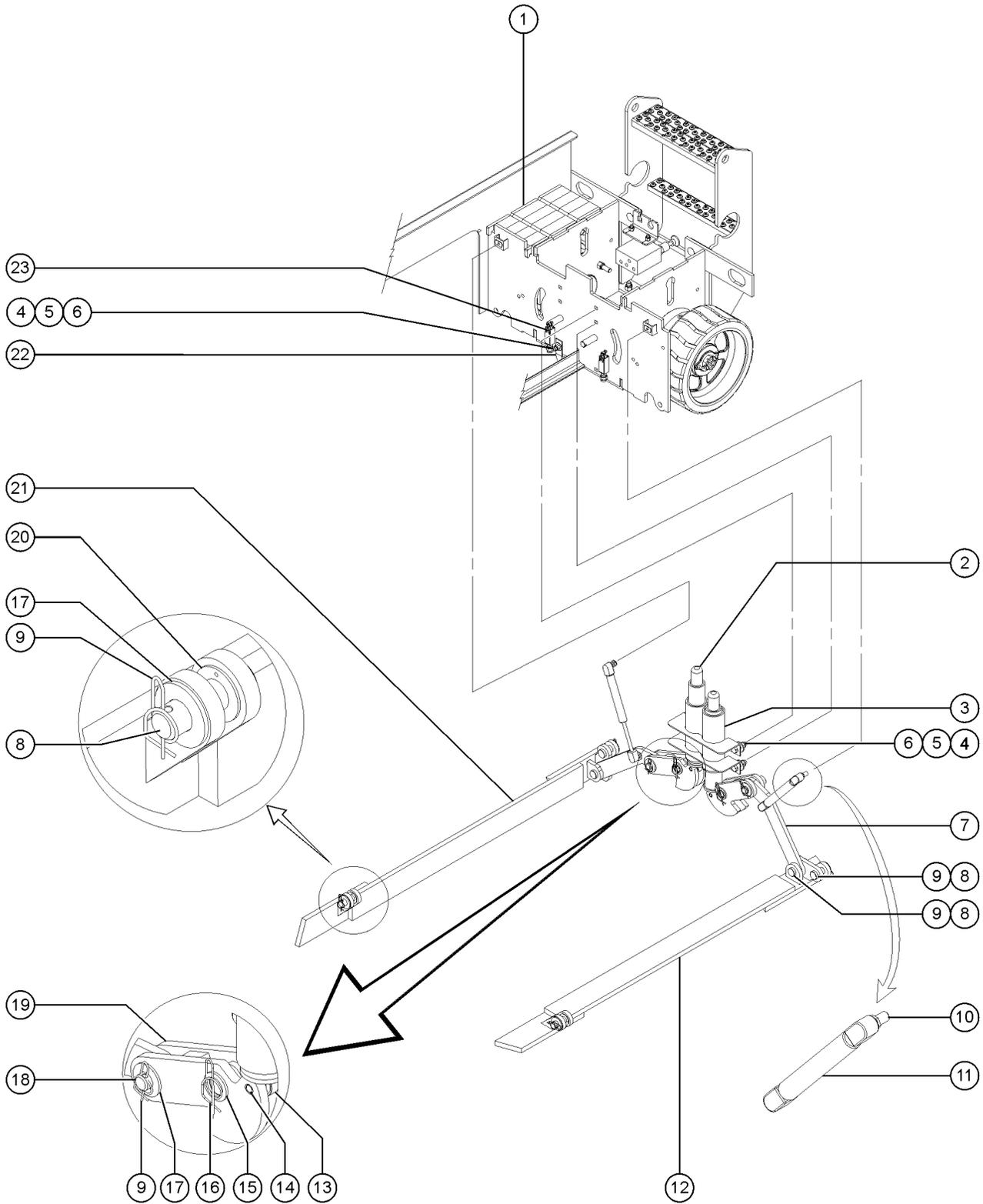
204.1 Ground Controls and Level Sensor Installation



## 204.1 Ground Controls and Level Sensor Installation

Item	Part No.	Description	Qty.
1	39232	CABLE,EMERGENCY DOWN.....1	
2		Ref. Electrical Plug (refer to 405.1)	
3		Ref. Electrical Cord (refer to 405.1)	
4	96103	FORMING,CONTROL BRKT.....1 (	
5	39540	ALARM,STEADY TONE*** .....1 Does not include 72326 nut	
--	72326	NUT - PLASTIC,RING FOR ALARMS	
6	105142	LEVEL SENSOR,LS60,RED,1.5X3*	
7	6637	SCREW,HHC,1/4-20 X 1.75	
8	39469	SPRING,COMPRESSION.485 X1.75**	
9	56912	SPRING CLIP,1/4-20,.025-.15X.5.....5	
10	96948	SWITCH,LIMIT,W/ROLLER ARM*** .....3	
--	19491	CONTACTOR,LIMIT SWITCH	
--	97128	ROLLER ARM,LIMIT SWITCH***	
11	96493	PLATE, LIMIT SWITCH MOUNT.....1	
12	6178	NUT,NYLOCK,10-32	
13	16487	SCREW,RHM,10-32 X 1.5	
14	6091	NUT,NYLOCK,1/4-20	
15	6878	BOLT,CARRIAGE,1/4-20 X .75,G2	
16	96755	FORMING,ALARM BRACKET.....1 GS-30	
16A	96870	FORMING,ALARM BRACKET GS-32, GS-46	
17		Ref. Ground Controls (refer to 210.1)	
18	14297	SCREW,BHHS,1/4-20 X .75	

205.1 Pothole Protection Assembly, GS-30

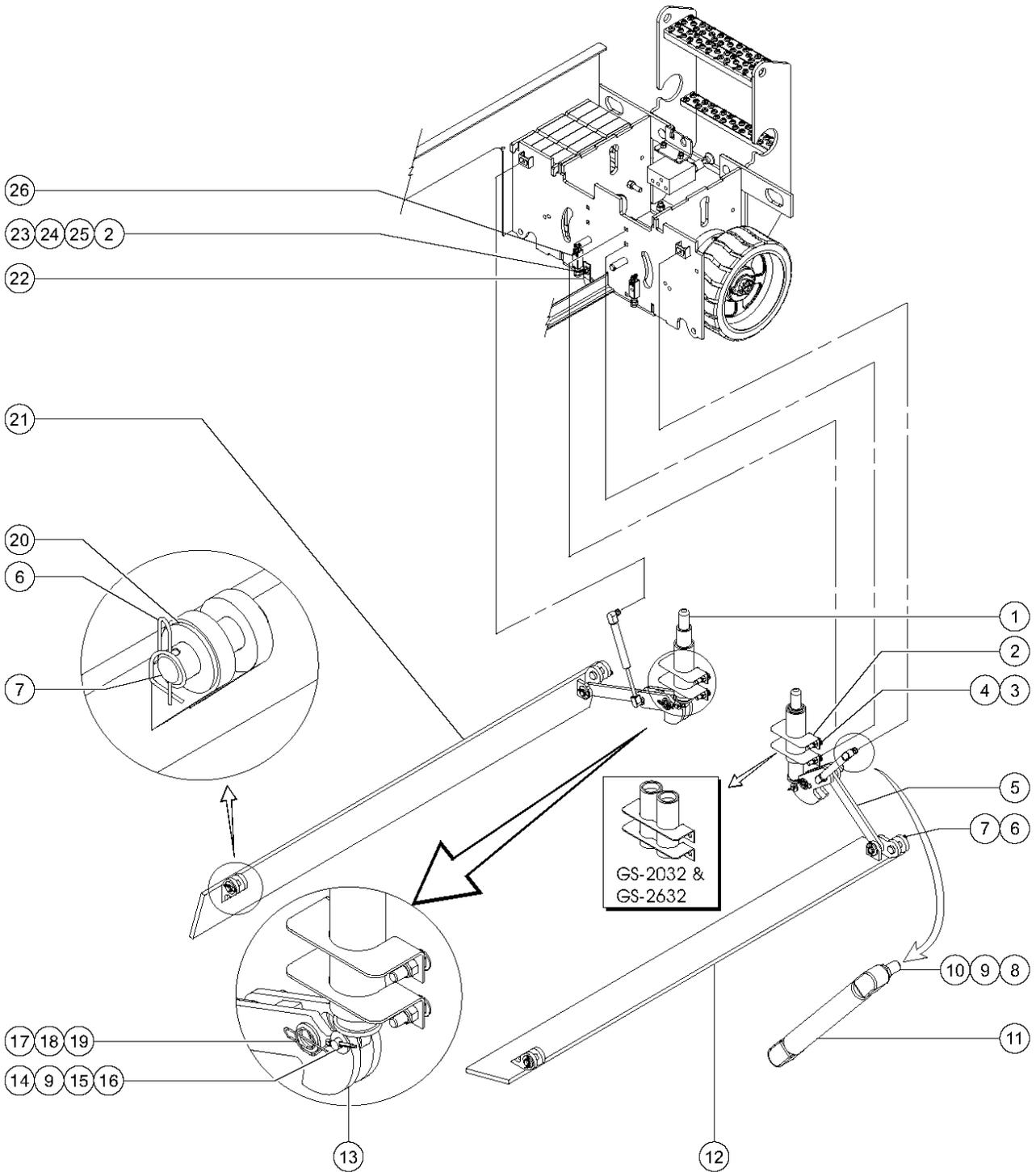


205.1 Pothole Protection Assembly, GS-30

Item	Part No.	Description	Qty.	Item	Part No.	Description	Qty.
1	96321	WLDMT.WHEEL COUNTERWEIGHT.....1 <i>(to SN 63226) (replaced with a welded in counterweight at SN 63227)</i>	1	--	96642	BEARING,0.75IDX1.00ODX1.38L....2	
2	96680	ASSY,POT HOLE PUSHER,GS*(MINI) <i>(to SN 64634)</i>		20	96085	WASHER,THRUST,.63 X 1.13 X .06.....4	
2B	96839	ASSY,POT HOLE PUSHER,GS*** <i>(from SN 64635)</i>		21	96038	POT HOLE GUARD,RT,WLDMT.....1	
3	96524	WLDMT/ASSY, PH GUIDE,GS30/32.....1	1	22	96317	GROUND STRAP,12"LG***.....1	
--	96408	BEARING,1.523IDX1.75ODX0.63L		23		Ref. Limit Switch <i>(refer to 204.1)</i>	
4	4828	NUT,NYLOCK,3/8-16					
5	6097	WASHER,FLAT,USS,3/8",Y					
6	6019	SCREW,HHC,3/8-16 X 1.25 GRD 5					
7	96043	PLATE, POT HOLE LINK.....2 <i>(to SN 64634)</i>	2				
7A	105055	PLATE,POT HOLE LINK,GS30 <i>(from SN 64635)</i>					
8	96135	PIN,CLEVIS,.625 X 1.88,ZINC PL....6	6				
9	96422	RUE RING,5/8 PIN.....8	8				
10	78086	BALL STUD, GAS STRUT, 3/8-16....2	2				
11	39542	GAS SHOCK,SCISSORS***.....2	2				
12	96039	POT HOLE GUARD,LT,WLDMT.....1	1				
13	96087	BEARING, BALL, 1.13X.375X.375...2 <i>(to SN 60907)</i>	2				
13A	96541	CAM FOLLOWER,1.125X.375,DELRIN....2 <i>(from SN 60908)</i>	2				
14	96086	PIN, ROLL, .375 X 1.25.....2 <i>(to SN 60907)</i>	2				
--	12016	PIN,COTTER,.125 X .75.....2 <i>(from SN 60908)</i>	2				
--	34742	PIN,CLEVIS,.375 X 1.75 LG. <i>(from SN 60908)</i>					
--	5397	WASHER,FLAT,USS,5/16",Y <i>(from SN 60908)</i>					
15	6564	WASHER,SHIM,.765X1.312 X.093**.....2	2				
16	96423	RUE RING,3/4 PIN.....2	2				
17	55355	SPACER,.75ID X 1.5OD X 1/4THK.....2	2				
18	96134	PIN,CLEVIS,.625 X 1.56,ZINC PL....2	2				
19	84574	POT HOLE BELL CRNK LINK ASSYGS30.....2	2				



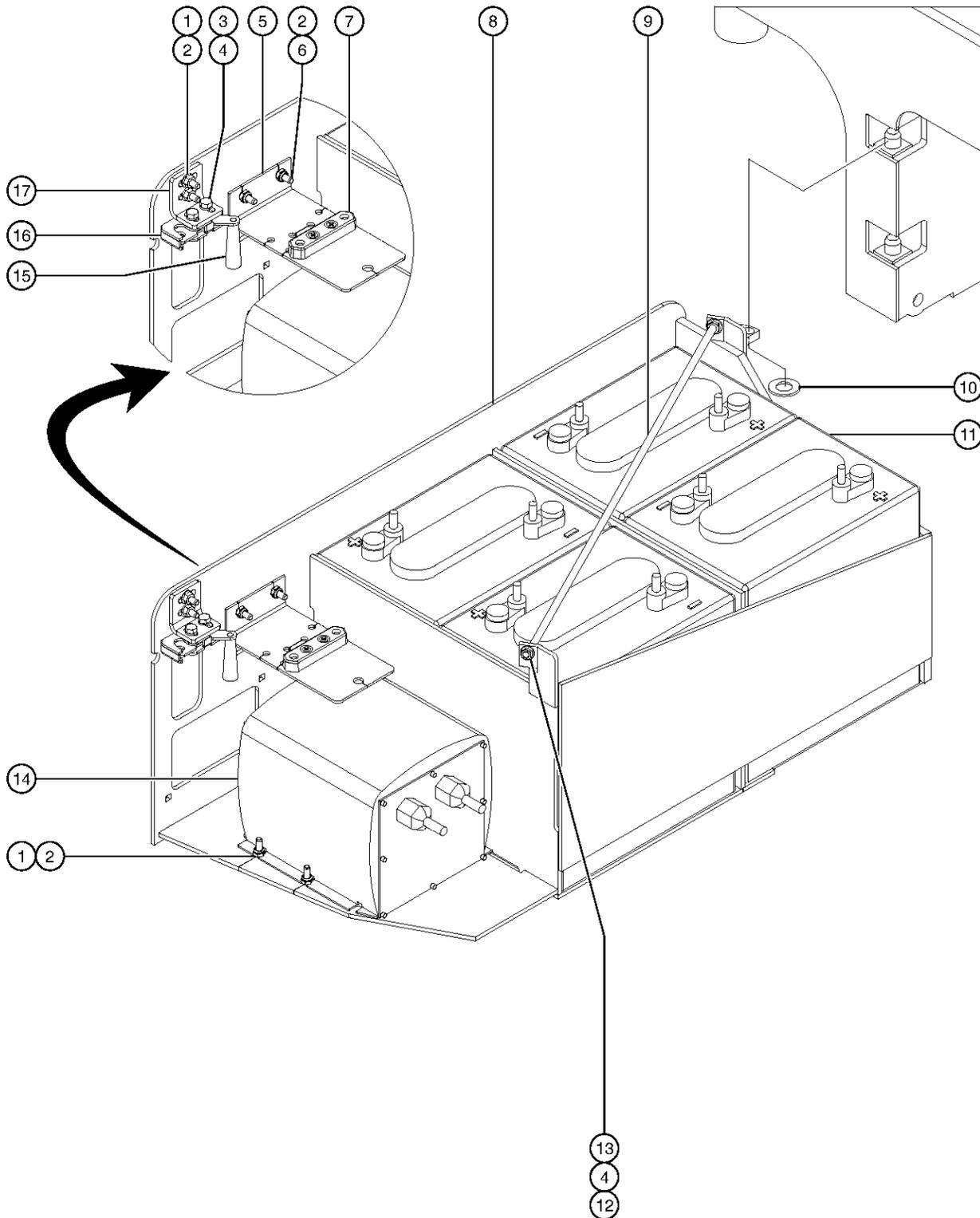
206.1 Pothole Protection Assembly, GS-32, GS-46



## 206.1 Pothole Protection Assembly, GS-32, GS-46

Item	Part No.	Description	Qty.
1	96839	ASSY,POT HOLE PUSHER,GS*** .....	1
2	96524	WLDMT/ASSY, PH GUIDE,GS30/32.....	1
--	96408	BEARING,1.523IDX1.75ODX0.63L	
2A	105069	WLDMT/ASSY,PH GUIDE,GS46.....	2
--	96408	BEARING,1.523IDX1.75ODX0.63L	
3	60790	BOLT,CARRIAGE,3/8-16 X1.50,G5	
4	4828	NUT,NYLOCK,3/8-16	
5	96637	PLATE, POTHOLE LINK.....	2
6	96422	RUE RING,5/8 PIN.....	6
7	96135	PIN,CLEVIS,.625 X 1.88,ZINC PL....	6
8	96643	PIN, POTHOLE LINK PIVOT.....	2
9	5397	WASHER,FLAT,USS,5/16",Y	
10	78086	BALL STUD, GAS STRUT, 3/8-16....	2
11	39542	GAS SHOCK,SCISSORS*** .....	2
12	96639	WELDMENT, POTHOLE, LEFT SIDE..... <i>(battery pack side)</i>	1
13	84574	POT HOLE BELL CRNK LINK ASSYGS30.....	2
--	96642	BEARING,0.75IDX1.00ODX1.38L....	2
14	12016	PIN,COTTER,.125 X .75.....	2
15	34742	PIN,CLEVIS,.375 X 1.75 LG.....	2
16	96541	CAM FOLLOWER,1.125X.375,DELRIN....	2
17	96423	RUE RING,3/4 PIN.....	2
18	6564	WASHER,SHIM,.765X1.312 X.093** .....	2
19	55355	SPACER,.75ID X 1.5OD X 1/4THK.....	2
20	6898	WASHER,SHIM,.625 X 1.188X.064	
21	96638	WELDMENT, POTHOLE, RIGHT SIDE..... <i>(ground controls side)</i>	1
22	105060	GROUND STRAP, 8"LG.....	2
23	64154	BOLT,CARRIAGE,3/8-16 X1.00,G5	
24	6700	WASHER,STAR,EXTERNAL,.375	
25	6097	WASHER,FLAT,USS,3/8",Y	
26		Ref. Limit Switch <i>(refer to 204.1)</i>	

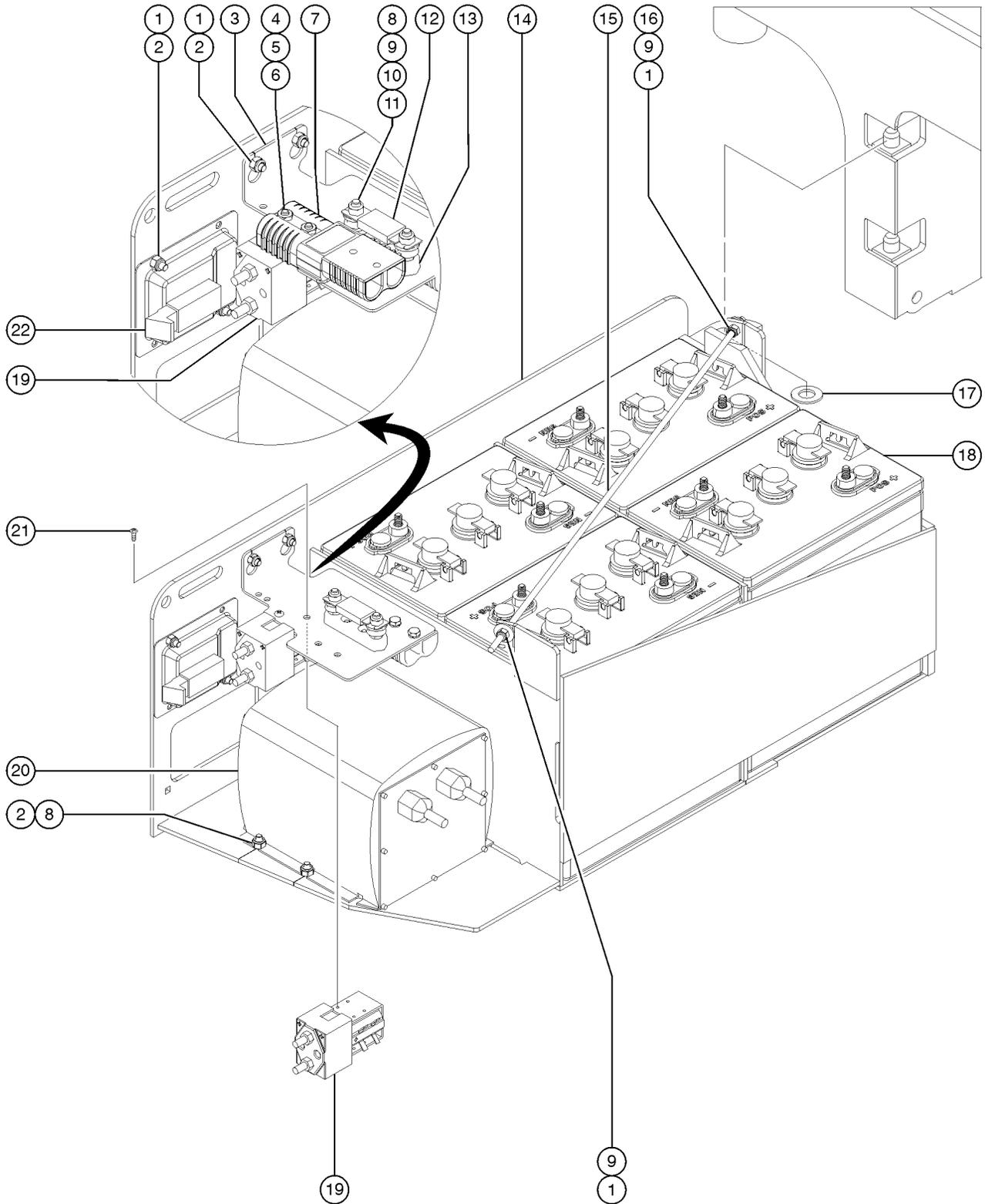
207.1 Battery Pack Module (without contactor)



## 207.1 Battery Pack Module (without contactor)

Item	Part No.	Description	Qty.
1	18504	NUT,LOCKING-LG.FLANGE,1/4-20	
2	79456	BOLT,CARRIAGE,1/4-20 X 1.00,G2	
3	6090	SCREW,HHC,1/4-20 X .75	
4	6356	WASHER,LOCK,.25	
5	145284	FORMING,FUSE BRACKET.....1	
6	6889	NUT,LP NYLOCK,1/4-20	
7	66717	FUSE BLOCK, ANN & ANL FUSE...1 (includes mounting fasteners)	
--	40833	FUSE,275 AMP,VERY FAST ACTING	
8	97125	BATTERY TRAY ASSY W/WORDS***.....1 (models with word decals)	
8A	97126	BATTERY TRAY ASSY W/SYMBOLS*** (models with symbol decals)	
9	30784-2550	THREADED ROD,(1/4-20),25.50.....1	
10	33278	WASHER,FLAT,.75 HARDENED	
11	76502	BATTERY,T105 W/LPT,3 CAP,DRY**.....4	
12	6091	NUT,NYLOCK,1/4-20	
13	6638	WASHER,FLAT,USS,1/4"Y	
14	-	Ref. Battery Charger (refer to 208.1)	
15	105221	HANDLE, LATCH, TRAY.....1	
16	105319	LATCH,BATT/HYDR TRAY***.....1	
17	96113	BRACKET,TRAY LATCH.....1	

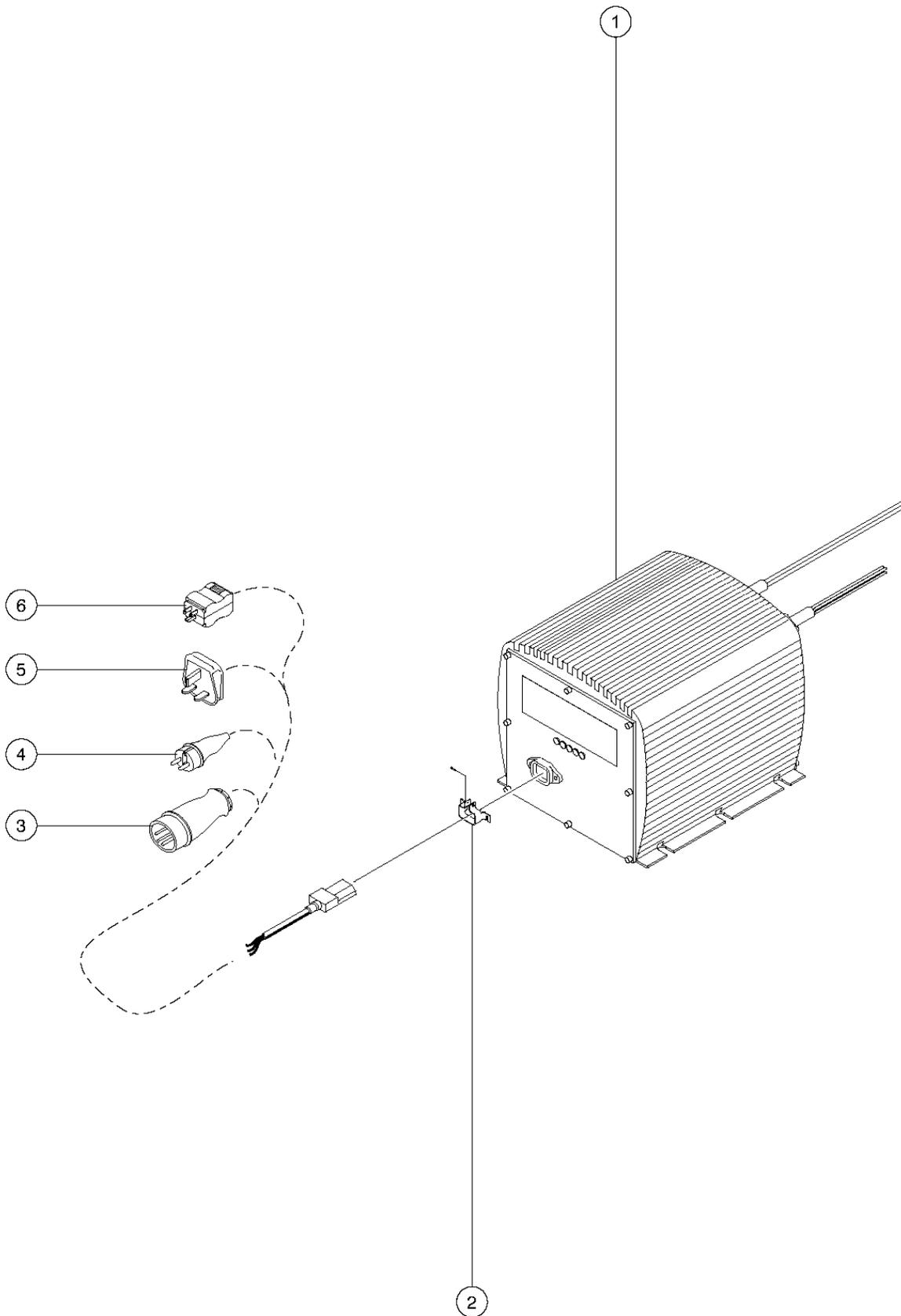
207.2 Battery Pack Module (with contactor)



## 207.2 Battery Pack Module (with contactor)

Item	Part No.	Description	Qty.
1	6091	NUT,NYLOCK,1/4-20.....	6
2	6878	BOLT,CARRIAGE,1/4-20 X .75,G2.....	8
3	232531	FORMING,CONTACTOR MOUNT,GS.....	1
4	66094	NUT-THIN HEAVY HEX, 1/4-20.....	4
5	6356	WASHER,LOCK,.25.....	4
6	8915	SCREW,HHC,1/4-20 X 1.25.....	4
7	66397	QUICK DISCONNECT CASING,BATT**.....	2
8	6782	NUT,NYLOCK,5/16-18.....	2
9	5397	WASHER,FLAT,USS,5/16",Y.....	2
10	18503	NUT,LOCKING-LG.FLANGE,5/16-18.2	
11	105273	SCREW,HEX HD,NO SLOT,#14X.50.....	2
12	40833	FUSE,275 AMP,VERY FAST ACTING.....	1
13	66717	FUSE BLOCK, ANN & ANL FUSE...1 <i>(includes mounting fasteners)</i>	
14	233366	ASSY,GS BATTERY TRAY <i>(includes items 3, 15 and 24. Does not include decals. To order decals, please refer to Section 1)</i>	
15	30784-2550	THREADED ROD,(1/4-20),25.50.....	1
16	6889	NUT,LP NYLOCK,1/4-20.....	1
17	33278	WASHER,FLAT,.75 HARDENED	
18A	76502	BATTERY,T105 W/LPT,3 CAP,DRY**.....	4
--	18503	NUT,LOCKING-LG.FLANGE,5/16-18.8	
18B	105150	BATTERY,MAINTENANCE FREE,6V***.....	4
19	74267	CONTACTOR,DRIVE,24V,180A***...1	
20	-	Ref. Battery Charger <i>(Refer to 208.1)</i>	
21	49818	SCREW,PHILLIPS,PHM,10-32 X .38.....	2
22	55675	LATCH, LRG PADDLE HANDLE GS90.....	1

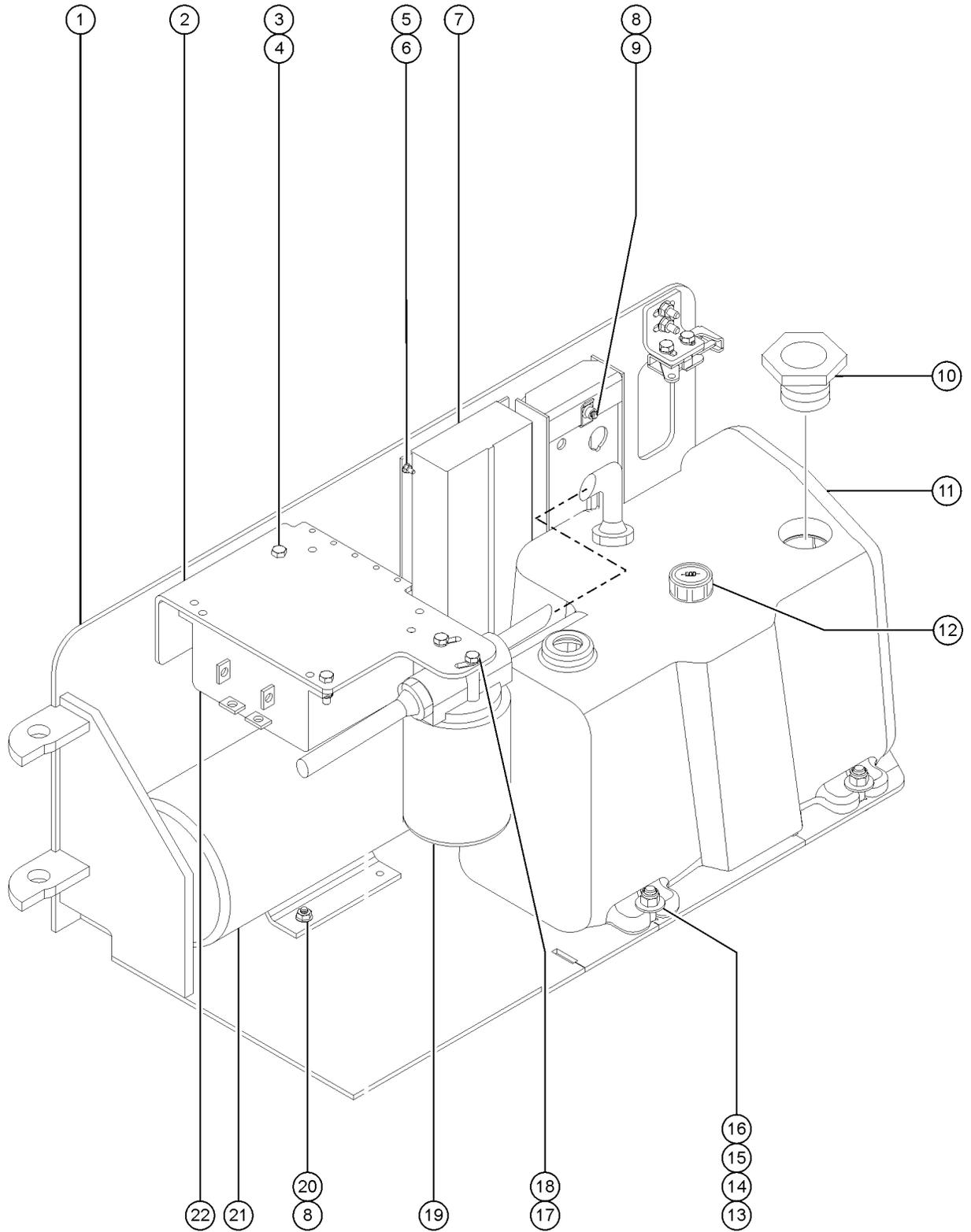
208.1 Battery Charger



208.1 Battery Charger

Item	Part No.	Description	Qty.
--	105334	CONNECTOR, IEC CHARGER CORD <i>for 5-LED battery charger</i>	
--	97059	FUSE, BATTERY CHARGER*** <i>for 5-LED battery charger</i>	
1A	105739	CHARGER, BAT, 24VDC, H/LO GEN2.....	1
--	144180	MANUAL, OWNERS, CHARGER, 105739	
1B	219480	KIT, BATTERY CHARGER, 24V <i>(includes charger, fasteners, ring terminals and instructions for field installation)</i>	
2	55010	LOCK, CONNECTOR.....	1 <i>(includes fasteners)</i>
3	71706	POWER CORD, UK 110.....	1
4	55019	POWER CORD, NOVON***.....	1
5	55018	POWER CORD, UK-HIGH VOLTAGE***.....	1
6	55021	POWER CORD, US 110***.....	1

209.1 Power Unit Module

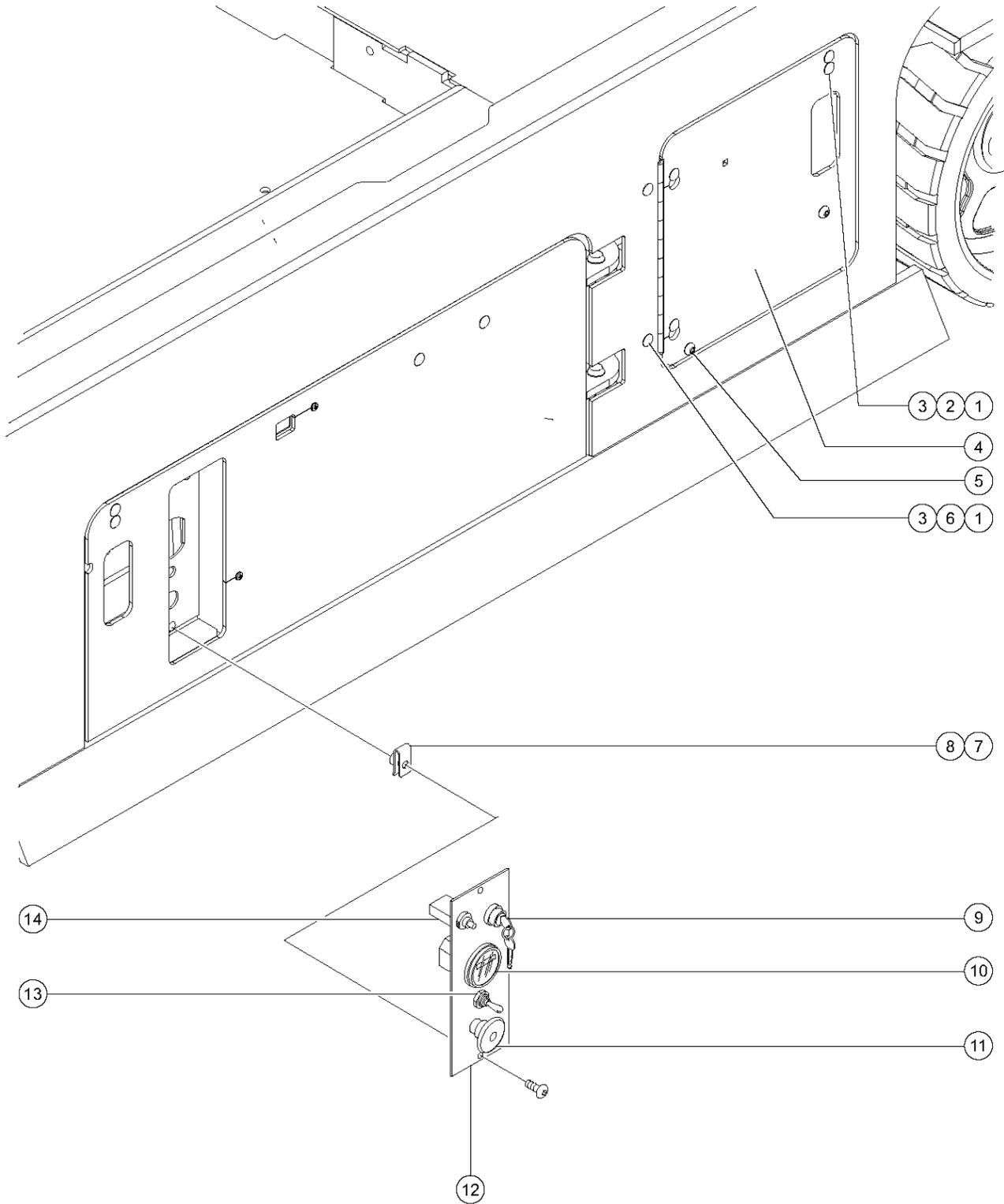


209.1 Power Unit Module

Item	Part No.	Description	Qty.	Item	Part No.	Description	Qty.
1	84398	HYDR TRAY ASSY W/WORDS,2003MIN.....1 <i>models with word decals</i>	1	17	6090	SCREW,HHC,1/4-20 X .75	
1A	84400	HYDR TRAY ASSY W SYMBOLS 30MIN <i>models with symbol decals</i>		18	6356	WASHER,LOCK,.25	
2	96215	FORMING,FILTER-CNTRLR MOUNT.....1	1	19		Ref. Filter Assembly <i>refer to 501.1</i>	
3	6888	SCREW,HHC,1/4-20 X 1		20	6091	NUT,NYLOCK,1/4-20	
4	6889	NUT,LP NYLOCK,1/4-20		21		Ref. Power Unit <i>refer to 505.1</i>	
5	6178	NUT,NYLOCK,10-32		22A	219556	KIT,CONTACTOR,GS,ALT,W INV,CTR.....1 <i>for machines with inverter option to GS3004-62710, GS3204-51480, &amp; GS4604-50780 that have not had a contactor kit previously installed</i>	1
6	49816	SCREW,PHILLIPS,PHM,10-32 X .75		--	219554	KIT,CONTACTOR,W INV.....1 <i>for machines with inverter option from GS3004-62711 to GS3005-75999, GS3204-51481 to GS3209-94602 &amp; GS4604-50781 to GS4609-95192 that have not had a contactor kit previously installed</i>	1
7	100839	ECU,SLAB/GR GEN 5***		22B	232534	KIT,CONTACTOR,GS	
7	78725	ECU,SLAB,GEN4*** .....1	1	22C	1257204	KIT,MTR CNTRLR REPLACEMENTGS30% <i>must have contactor kit 232534 previously installed</i>	
--	39520	RECEPTACLE,FEMALE,36 CONTACT		22D	1257205	KIT,MTR CNTL.REPLACEMENT,GS46% <i>must have contactor kit 232534 previously installed</i>	
--	39521	RECEPTACLE,ANTI-BACKOUT					
--	39673	CONTACT,14-20GA.					
--	51577	RECEPTACLE,FEMALE 18 CONT.					
--	51578	RECEPTACLE ANTIBACKOUT,18 CONT					
--	78098	RELAY,24VDC,40/30A,SLD W/BRKT*.....5 <i>CE models</i>	5				
--	78313	SERVICE KIT, BOM PLUG					
--	99089	CAPACITOR,4700MFD 25V <i>CE models</i>					
8	14297	SCREW,BHHS,1/4-20 X .75					
9	56912	SPRING CLIP,1/4-20,.025-.15X.5					
10	66204	FILLER CAP(PLUG 1-1/2" NPT HEX.....1	1				
11	226163	HYD. TANK KIT, GS30,32,46					
--	105072	KIT,HYD TANK MTG HARDWARE <i>includes items 13-16</i>					
--	96709	GROMMET,SLAB HYD TANK***					
--	96855	CLAMP,HOSE,1 EAR,1-1/16***					
--	T109012	TANK,HYD, SLAB SCISSORS.....1	1				
12	78546	BREATHER CAP,HYD. TANK,1/4 NPT.....1	1				
13	9116	BOLT,CARRIAGE,1/4-20 X 1.25,G2					
14	96699	SLEEVE,TANK SUPPORT.....4	4				
15	6638	WASHER,FLAT,USS,1/4"Y					
16	4828	NUT,NYLOCK,3/8-16					



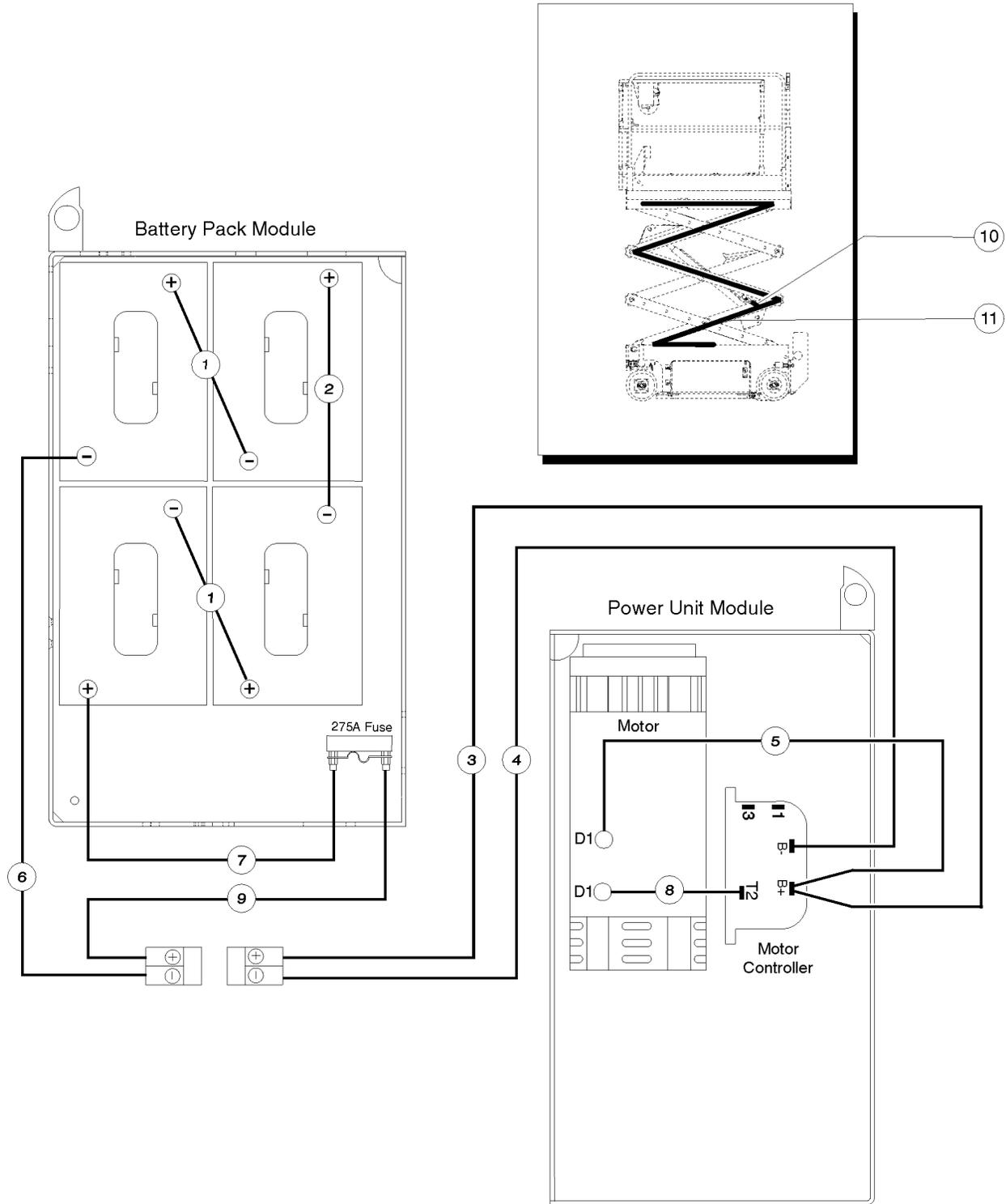
210.1 Ground Controls



## 210.1 Ground Controls

Item	Part No.	Description	Qty.
1	6878	BOLT,CARRIAGE,1/4-20 X .75,G2	
2	96113	BRACKET,TRAY LATCH.....1	1
3	18504	NUT,LOCKING-LG.FLANGE,1/4-20	
4	97271	MANIFOLD DOOR ASSY, GS46.....1	1
5	35059	SCREW,BHHS,3/8-16 X .75	
6	79136	HINGE, ACCESS DOOR GS68.....1	1
7	56912	SPRING CLIP,1/4-20,.025-.15X.5.....2	2
8	14297	SCREW,BHHS,1/4-20 X .75	
9	96008-S	KEYSWITCH,3 POS.W/KEYS*** .....1 <i>(includes 1 pair of keys)</i>	1
--	37947	KEYS,10 PACK***	
--	83093	KEY SINGLE***	
--	85239	NUT,RETAINER (96008)	
--	96010	SCREW,PHILLIPS,PHM,8-32 X.25** <i>(includes tooth washer)</i>	
10	19506	HOUR METER,10-80 VOLTS*** .....1 <i>(includes mounting bracket)</i>	1
11	66812	BUTTON,PUSH,RED MUSHROOM HEAD.....1	1
--	66817	BASE WITH 1 NC CONTACT, E-STOP <i>(includes 1 each N.C. contact)</i>	
--	66818	CONTACT,NC	
12	84390	GRND CNTRL PANEL ASSY,2003MINI.....1	1
13	T114691	ASSY,SWITCH,TOGGLE,SPDT*****.1 <i>(direct replacement for 96418)</i>	1
14	96452	CIRCUIT BREAKER,7.0 AMP*** .....1	1

211.1 Electrical Wiring and Power Cables (models without contactor)



211.1 Electrical Wiring and Power Cables (models without contactor)

Item	Part No.	Description	Qty.	Item	Part No.	Description	Qty.
--	96522	STD CONTROL HARNESS, SLAB (ANSI, CSA and Australia models)		3A	96946	CABLE ASSY.BATT.90".AND.RED.....1 GS-2046, GS-2646, GS-3246	1
--	96440	CE CONTROL HARNESS, SLAB (CE models)		4	96299	CABLE ASSY.BATT.75".AND.BLK.....1 GS-1530, GS-1532, GS-1930, GS-1932, GS-2032, GS-2632	1
--	96344	HARNESS ASSY, MAIN (ANSI, CSA and Australia models)		4A	96947	CABLE ASSY.BATT.90".AND.BLK.....1 GS-2046, GS-2646, GS-3246	1
--	96520	ASSY,MAIN HARNESS,CE (CE models)		5	96302	CABLE ASSY,BATT, 7.50" RED.....1	1
--	96308	ASSY,LEVEL SENS HARNESS (ANSI, CSA and Australia models)		6	105071	CABLE ASSY, BATT,19"AND.BLK GS-1530, GS-1532, GS-1930, GS-1932, GS-2032, GS-2632 (from SN 64600); GS-2032, GS-2632 (all serial numbers); GS-2046, GS-2646, GS-3246 (from SN 60677)	1
--	96489	WIRE ASSY,ECU TO CHASSIS,GS30		6A	96301	CABLE ASSY,BATT,38",AND. BLK.....1 GS-1530, GS-1532, GS-1930, GS-1932 (to SN 64599); GS-2046, GS-3246 (to SN 60676)	1
--	96387	ASSY,MOTOR CONTROL HARNESS (ANSI, CSA and Australia models)		7	96305	CABLE ASSY,BATT,22.0" RED.....1 GS-1530, GS-1532, GS-1930, GS-1932 (to SN 64599); GS-2046, GS-2646, GS-3246 (to SN 60676)	1
--	96819	ASSY,MOTOR CONTRL HARN,CE (CE models)		7A	96306	CABLE ASSY,BATT,9.50"RED GS-1530, GS-1532, GS-1930, GS-1932, GS-2032, GS-2632 (from SN 64600); GS-2032, GS-2632 (all serial numbers); GS-2046, GS-2646, GS-3246 (from SN 60677)	1
--	96309	ASSY,POTHOLE HARNESS,GS (GS-1530, GS-1532, GS-1930, GS-1932)		8	96303	CABLE ASSY,BATT, 7.50" BLACK.....1	1
--	96853	ASSY,POTHOLE HARNESS GS32/GS46 GS-2032, GS-2632, GS-2046, GS-2646, GS-3246 (CE models)		9	96300	CABLE ASSY,BATT,7.50",AND. RED.....1 GS-1530, GS-1532, GS-1930, GS-1932, GS-2032, GS-2632, GS-2046, GS-2646, GS-3246	1
--	105322	ASSY,UP-LIMIT SW HARNESS (CE models)		10	96307	HARNESS,LIFT CYL DN COIL.....1 GS-1530, GS-1532, GS-1930, GS-1932	1
--	47662	HARNESS,ALARM ACCESSORY (option)		10A	96852	HARNESS,LIFT CYL DOWN,S20/2646.....1 GS-2032, GS-2632, GS-3232, GS-2046, GS-2646	1
--	105992	HORN HARNESS		10B	96856	HARNESS,LIFT CYL DOWN,S3246.....1 GS-3246	1
--	51075	HARNESS,BEACON OPTION,SLAB GS-1530, GS-1930					
--	96459	HARNESS ASSEMBLY, INVERTER					
--	105125	CABLE ASSY, INVERTER (option)					
--	96502	ASSY,PRESS SW HARNESS (CE models)					
--	96820	ASSY,RELAY HARNESS (ANSI, CSA and Australia models)					
--	96429	ASSY, RELAY HARNESS, CE (CE models)					
--	40833	FUSE,275 AMP,VERY FAST ACTING					
1	96304	CABLE ASSY,BATT,5.50"RED.....2	2				
2	96302	CABLE ASSY,BATT, 7.50" RED.....1	1				
3	96298	CABLE ASSY.BATT.75",AND.RED.....1 GS-1530, GS-1532, GS-1930, GS-1932, GS-2032, GS-2632	1				



211.1 Electrical Wiring and Power Cables (models without contactor)  
(continued)

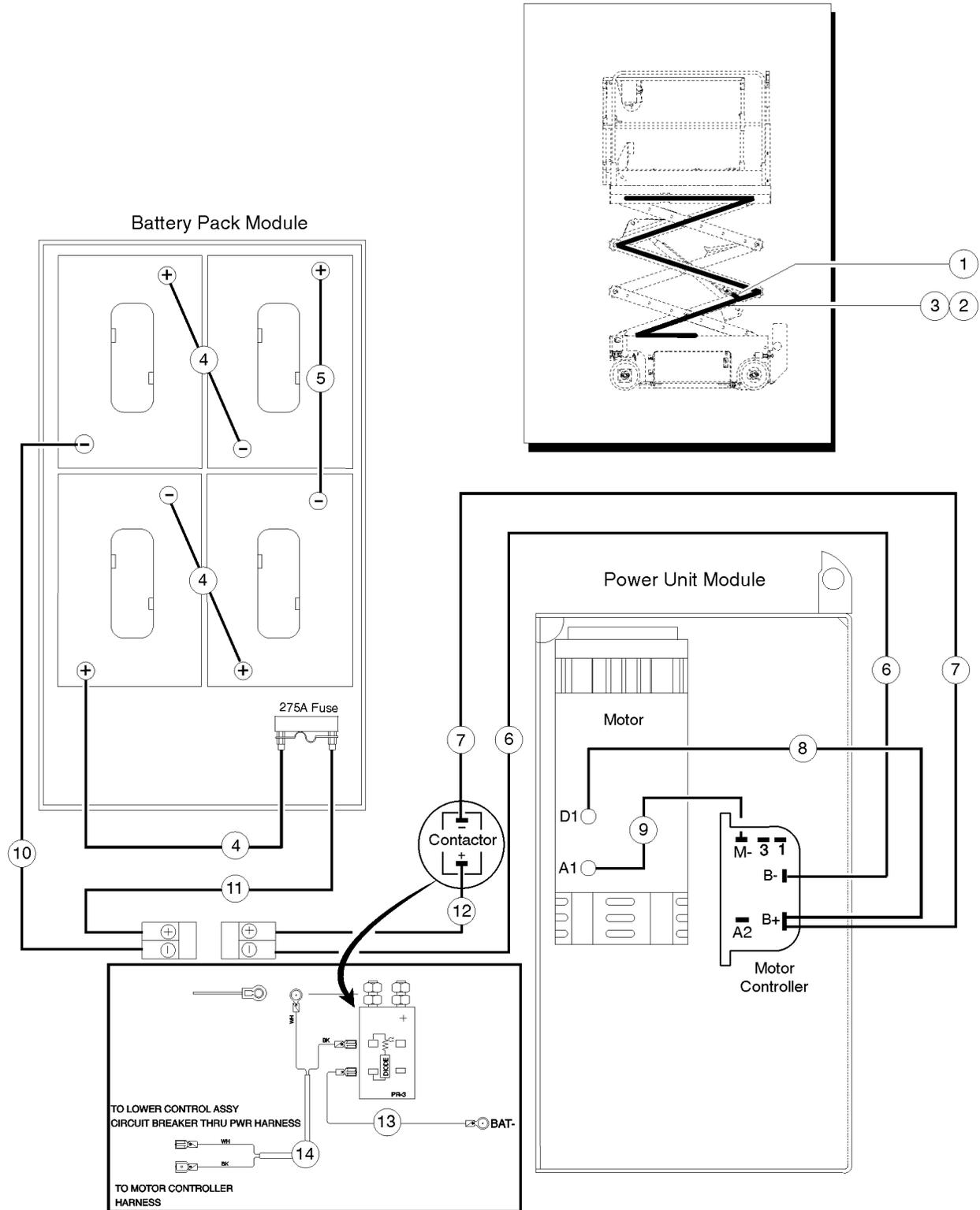
Item	Part No.	Description	Qty.
11	96471	WIRE ASSEMBLY,PLAT/CHASS,15XX GS-1530, GS-1532	
--	105328	KIT,FEMALE PLUG, DTM	
--	105329	KIT, MALE RECEPTACLE, DTM	
--	144155	GREASE,DIELECTRIC,TUBE	
11A	96473	WIRE ASSEMBLY,PLAT/CHASS,19XX GS-1930, GS-1932	
11B	96474	WIRE ASSY,PLAT TO CHAS,GS20XX GS-2032, GS-2046	
11C	96475	WIRE ASSEMBLY,GS2646/GS2632.....1 GS-2632, GS-2646	
11D	96476	WIRE ASSEMBY,PLAT/CHASS,GS3246....1	

---

211.1 Electrical Wiring and Power Cables (models without contactor)  
(continued)

***This Page Intentionally Left Blank***

211.2 Electrical Wiring and Power Cables (models with contactor)



211.2 Electrical Wiring and Power Cables (models with contactor)

Item	Part No.	Description	Qty.	Item	Part No.	Description	Qty.
--	105214	CABLE TIE MOUNT, WINGED <i>not shown</i>		--	96429	ASSY, RELAY HARNESS, CE <i>CE Models</i>	
--	56926	CLIP,TIE HARNESS MOUNT*** <i>not shown</i>		--	78098	RELAY,24VDC,40/30A,SLD W/BRKT* <i>ANSI and CSA Models</i>	
--	96522	STD CONTROL HARNESS, SLAB <i>ANSI, CSA and Australia Models</i>		--	40833	FUSE,275 AMP,VERY FAST ACTING	
--	96440	CE CONTROL HARNESS, SLAB <i>CE Models</i>		--	T110891	HARNESS, GS SENSORS, CE	
--	96344	HARNESS ASSY, MAIN <i>ANSI, CSA and Australia Models</i>		--	228786	HARNESS, GS SENSORS, ANSI	
--	96520	ASSY,MAIN HARNESS,CE <i>CE Models</i>		--	T110890	HARNESS, GS POWER CONTRL	
--	96308	ASSY,LEVEL SENS HARNESS <i>ANSI, CSA and Australia Models</i>		--	233440	O/R SYSTEM HARNESS, CE	
--	96521	ASSY,LEVEL SENS HARNESS,CE <i>CE Models</i>		--	233785	HARNESS, BEACON RESISTOR KIT,	
--	96489	WIRE ASSY,ECU TO CHASSIS,GS30		--	233782	HRNS ASSY,RESISTOR,200 OHM	
--	105328	KIT,FEMALE PLUG, DTM <i>repair kit</i>		1A	96307	HRNS,LIFT CYL DOWN,MINI,CE....1 <i>GS-30 (CE Models)</i>	
--	233439	ASSY,MOTOR CONTROL HARNESS <i>ANSI, CSA and Australia Models</i>		1B	96852	HRNS,LIFT CYL DOWN,20/26XX,CE <i>GS-32, GS-2046, GS-2646 (CE Models)</i>	
--	233438	ASSY,MOTOR CONTROL HARNESS,CE <i>CE Models</i>		1C	96856	HRNS,LIFT CYL DOWN,32XX,CE <i>CE Models</i>	
--	96309	ASSY,POTHOLE HARNESS,GS <i>GS-30</i>		2A	96471	WIRE ASSEMBLY,PLAT/CHASS,15XX.....1 <i>GS-1530, GS-1532</i>	
--	96853	ASSY,POTHOLE HARNESS GS32/GS46 <i>GS-32, GS-46, CE models</i>		--	105328	KIT,FEMALE PLUG, DTM <i>repair kit</i>	
--	105322	ASSY,UP-LIMIT SW HARNESS <i>GS-2032, GS-2632, GS-46, CE models</i>		--	105329	KIT, MALE RECEPTACLE, DTM <i>repair kit</i>	
--	47662	HARNESS,ALARM ACCESSORY <i>option</i>		2B	96473	WIRE ASSEMBLY,PLAT/CHASS,19XX.....1 <i>GS-1930, GS-1932</i>	
--	105992	HORN HARNESS <i>option</i>		--	105328	KIT,FEMALE PLUG, DTM <i>repair kit</i>	
--	51075	HARNESS,BEACON OPTION,SLAB <i>GS-1530, GS-1930</i>		--	105329	KIT, MALE RECEPTACLE, DTM <i>repair kit</i>	
--	96459	HARNESS ASSEMBLY, INVERTER <i>GS-1932, GS-2032, GS-2046, GS-2646, GS-3246</i>		2C	96474	WIRE ASSEMBLY,PLAT/CHASS, 20XX.....1 <i>GS-2032, GS-2046</i>	
--	105125	CABLE ASSY, INVERTER <i>option</i>		--	105328	KIT,FEMALE PLUG, DTM <i>repair kit</i>	
--	96502	ASSY,PRESS SW HARNESS <i>CE Models</i>		--	105329	KIT, MALE RECEPTACLE, DTM <i>repair kit</i>	
--	96820	ASSY,RELAY HARNESS <i>ANSI, CSA and Australia Models</i>		2D	96475	WIRE ASSEMBLY,PLAT/CHASS, 26XX.....1 <i>GS-2632, GS-2646; platform to chassis</i>	
				--	105328	KIT,FEMALE PLUG, DTM <i>repair kit</i>	
				--	105329	KIT, MALE RECEPTACLE, DTM <i>repair kit</i>	



## 211.2 Electrical Wiring and Power Cables (models with contactor) (continued)

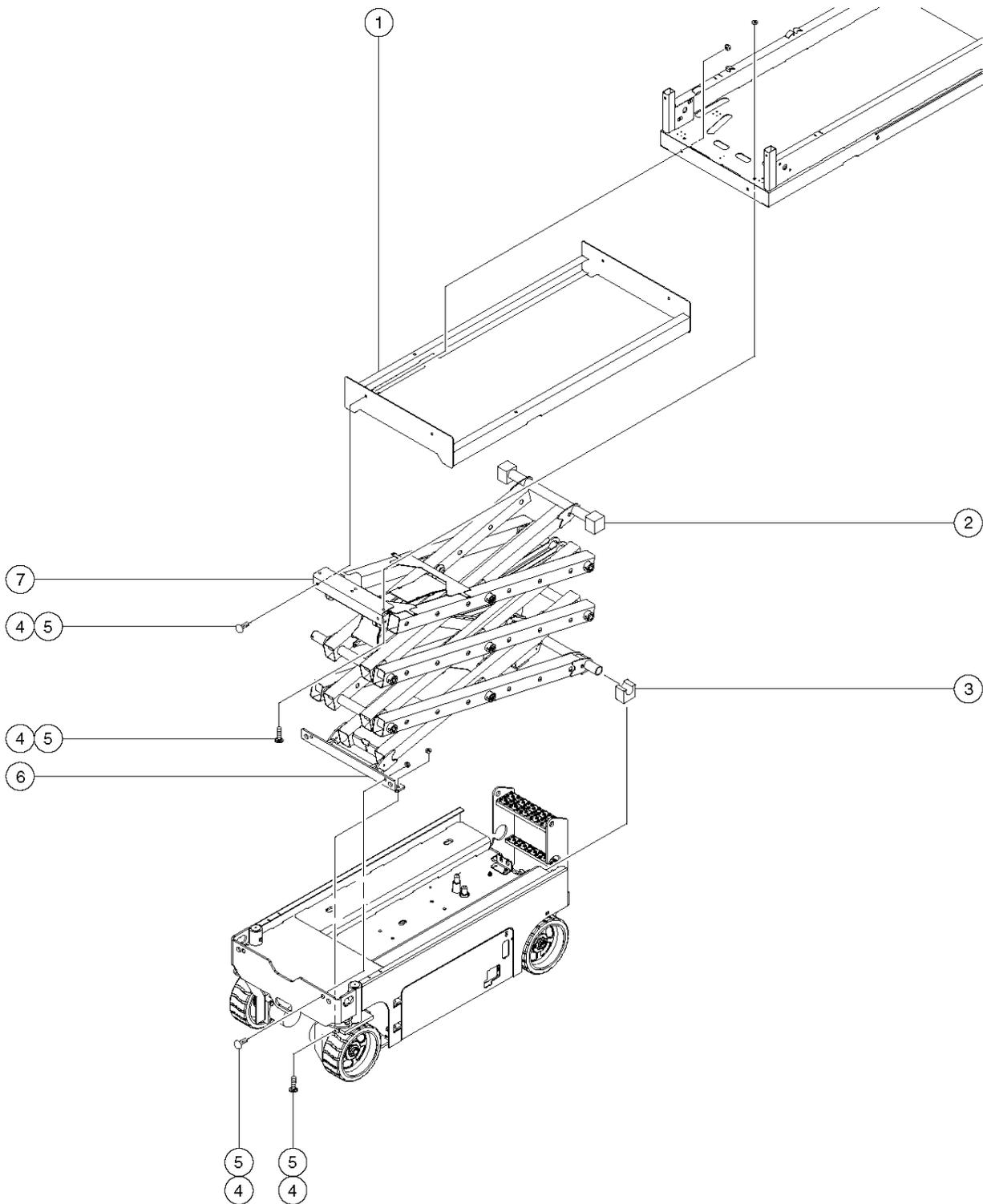
Item	Part No.	Description	Qty.	Item	Part No.	Description	Qty.
2E	96476	WIRE ASSEMBLY,PLAT/CHASS, 32XX.....	1	9A	96303	CABLE ASSY,BATT, 7.50" BLACK.....	1
--	105328	KIT,FEMALE PLUG, DTM <i>repair kit</i>		9B	1257055	CABLE ASSY., BATT. 12" BLACK <i>for machines with kits 1257204 or 1257205 installed</i>	
--	105329	KIT, MALE RECEPTACLE, DTM <i>repair kit</i>		10A	96301	CABLE ASSY,BATT,38",AND. BLK** GS-30, to SN 64599; GS-46, to SN 60676	
3A	43956	WIRE CABLE,14/3 CON.TPE JKT*.....	324-inches	10B	232578	CABLE ASSY,BATT, 20" BLK.....	1
		GS-15XX				GS-30, from SN 64600; GS-46, from SN 60677	
3B	43956	WIRE CABLE,14/3 CON.TPE JKT*.....	396-inches	11	232576	CABLE ASSY,BATT, 12" RED.....	1
		GS-19XX		12	233371	CABLE ASSY, BATT, 23"RD	
3C	43956	WIRE CABLE,14/3 CON.TPE JKT*.....	420-inches	13	232582	GROUND WIRE ASSY,GS	
		GS-20XX		14A	233431	HRNS,CONTACTOR SIGNAL,GS30/32	
3D	43956	WIRE CABLE,14/3 CON.TPE JKT*.....	540-inches	14B	233430	HRNS,CONTACTOR SIGNAL,GS46	
		GS-26XX		15A	1261335	KIT,BATT. CABLE ASSY.,GS30/32 <i>for machines with kit 1257204 installed</i>	
3E	43956	WIRE CABLE,14/3 CON.TPE JKT*.....	636-inches	15B	1261334	KIT,BATT. CABLE ASSY.,GS46 <i>for GS-46 with 1257205 installed</i>	
		GS-3246					
4	96304	CABLE ASSY,BATT,5.50"RED.....	3				
5	96306	CABLE ASSY,BATT,9.50"RED.....	2				
6A	96299	CABLE ASSY.BATT.75".AND.BLK.....	1				
		GS-30, GS-32					
6B	1257058	CABLE ASSY., BATT. 85" BLACK <i>for GS-30 &amp; GS-32 with kit 1257204 installed</i>					
6C	96947	CABLE ASSY.BATT.90".AND.BLK GS-46					
6D	1257056	CABLE ASSY., BATT. 93" BLACK <i>for GS-46 with 1257205 installed</i>					
7A	233368	CABLE ASSY, BATT,69" RED GS-30, GS-32					
7B	1257059	CABLE ASSY., BATT. 81" RED <i>for GS-30 &amp; GS-32 with kit 1257204 installed</i>					
7C	233370	CABLE ASSY,BATT,83"RED GS-46					
7D	1257057	CABLE ASSY., BATT. 89" RED <i>for GS-46 with 1257205 installed</i>					
8A	96302	CABLE ASSY,BATT, 7.50" RED.....	1				
8B	1257054	CABLE ASSY., BATT. 14" RED <i>for machines with kits 1257204 or 1257205 installed</i>					

---

211.2 Electrical Wiring and Power Cables (models with contactor)  
(continued)

***This Page Intentionally Left Blank***

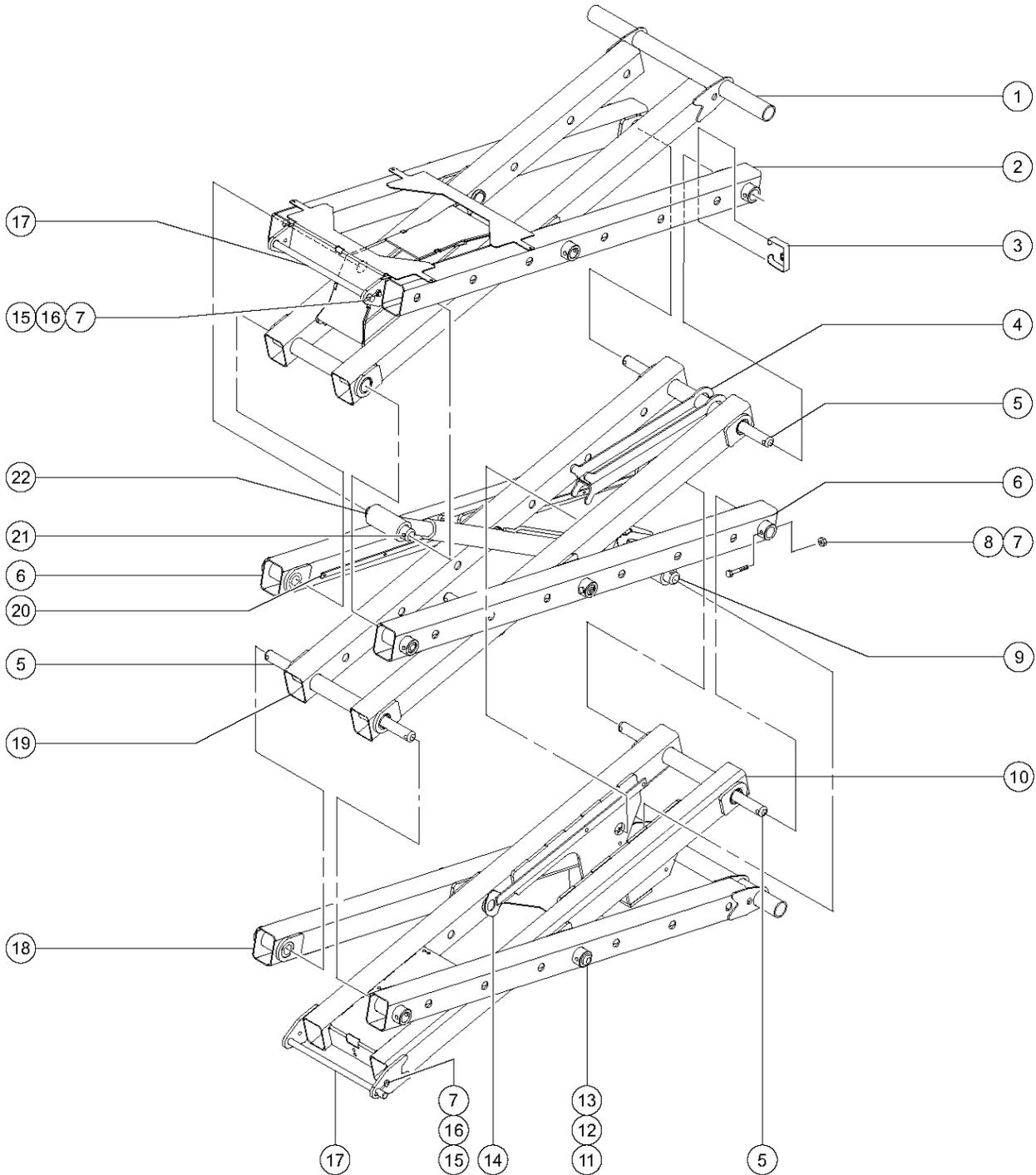
301.1 Scissor Assembly Installation



## 301.1 Scissor Assembly Installation

Item	Part No.	Description	Qty.
1	96415	WLDMT,PLATFORM SLIDER.....1 GS-1530, GS-1532	1
2	96239	SLIDER,MINI PLATFORM*** .....2 GS-1530, GS-1930	2
2A	96239	SLIDER,MINI PLATFORM*** .....1 GS-1532, GS-1932	1
2B	96576	SLIDER,MINI PLATFORM,DRILLED** .....1 GS-1532, GS-1932 (CE models)	1
2C	96595	SLIDER,UHMW.....2 GS-32 (to SN 60921)	2
2D	96595	SLIDER,UHMW GS-32 (from SN 60922)	
2E	96595	SLIDER,UHMW.....2 (to SN 61724)	2
2F	96595	SLIDER,UHMW GS-46 (from SN 61725)	
3	96126	SLIDER, UHMW.....2 GS-30	2
3A	96595	SLIDER,UHMW GS-32, GS-46	
4	96977	BOLT,CARRIAGE,1/2-13X1.50,GR5	
5	6198	NUT,NYLOCK,1/2-13	
6	84693	CHASSIS MOUNT ASSY, GS30.....1	1
--	36369	BEARING,0.75IDX1.00ODX0.75L....2 GS-30	2
6A	97241	CHASSIS MOUNT ASSY, GS32&46.....1	1
--	51474	BEARING,1.00IDX1.25ODX0.75L....2	2
7	84694	PLATFORM MOUNT ASSY, 15 FT .....1 GS-1530, GS-1532	1
--	36369	BEARING,0.75IDX1.00ODX0.75L....2	2
7A	84695	PLATFORM MOUNT ASSY, 19 FT .....1 GS-1930, GS-1932	1
--	36369	BEARING,0.75IDX1.00ODX0.75L....2 GS-1930, GS-1932	2
7B	84747	PLATFORM MOUNT ASSY, GS32&46.....1	1
--	36369	BEARING,0.75IDX1.00ODX0.75L....2	2

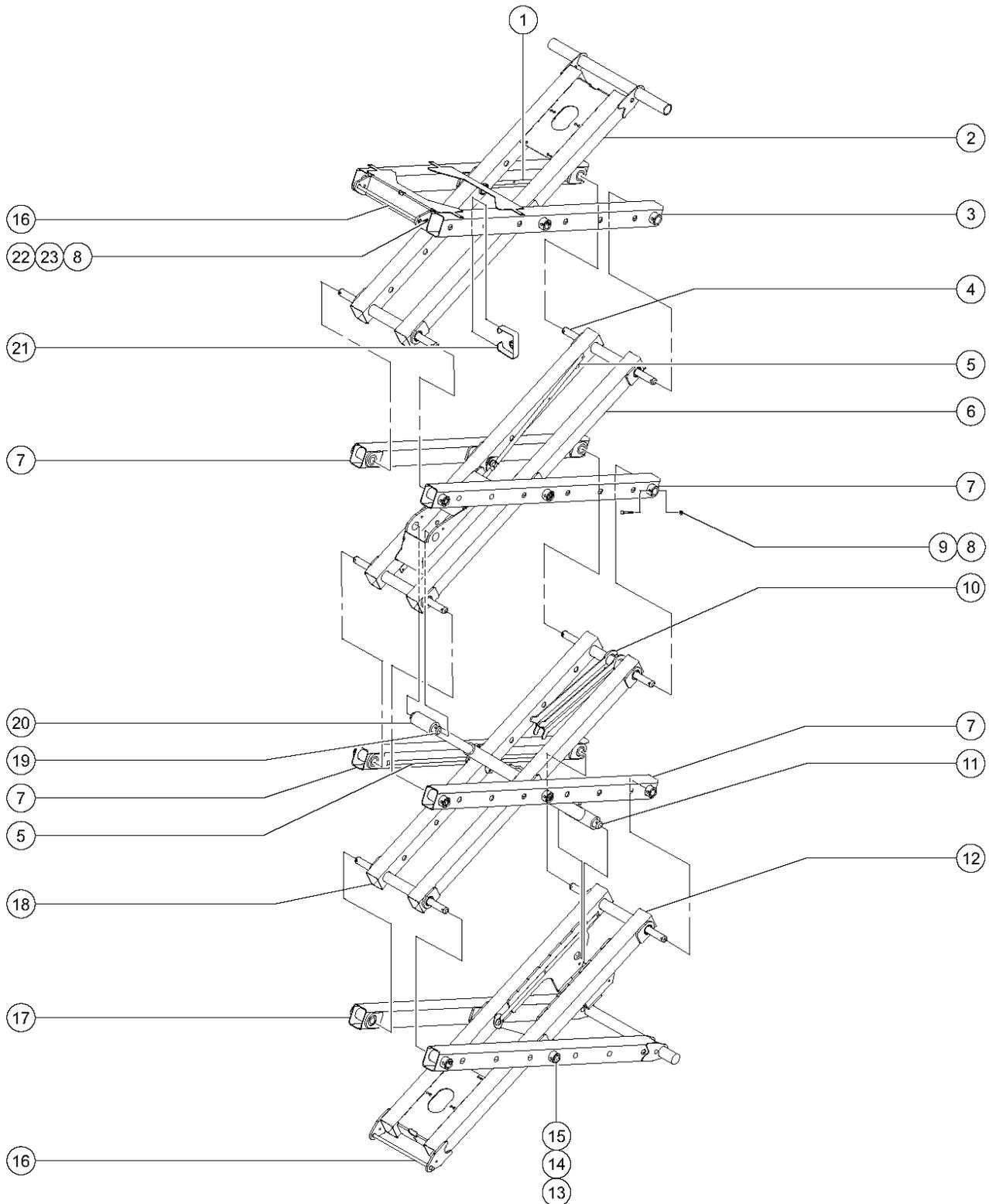
302.1 Scissor Assembly, GS-1530, GS-1532



## 302.1 Scissor Assembly, GS-1530, GS-1532

Item	Part No.	Description	Qty.
1	84578	INNER ARM ASSY,#3,15FT.....	1
--	96487	BEARING,1.26IDX1.53ODX1.25L....	6
2	96125	WELDMENT,LINK,PLAT MOUNT.....	1
3	96331	LINK BUMPER.....	8
4	58000	SAFETY CHOCK,SCISSOR.....	1
5	96127	PIN,LINKAGE,LONG..... (to SN 67289)	4
5A	105085	PIN,MINI END (from SN 67290)	
6	96121	WELDMENT, LINK, SINGLE.....	2
7	4828	NUT,NYLOCK,3/8-16	
8	8178	SCREW,HHC,3/8-16 X 2.5	
9	47666	PIN,1.50DIA X 8.95LG,1HOLE.....	1
10	84584	INNER ARM ASSY,#1,15&19FT WORD.....	1
--	96487	BEARING,1.26IDX1.53ODX1.25L....	6
10A	84585	INNER ARM ASSY,#1,15&19FT SYMB (models with symbol decals)	
--	96487	BEARING,1.26IDX1.53ODX1.25L....	6
11	30217	SNAP RING,EXTERNAL,1.25 DIA.**.....	6
12	96390	WASHER,FLAT, 1.27 X 2.13 X .13	
13	96130	PIN, MINI, CENTER.....	6
14	96369	WELDMENT, CABLE BRIDGE, 1 ARMS.....	2
15	8516	SCREW,HHC,3/8-16 X 1.50,GR5	
16	45748	ROD END,.250 X 2.75 LG.....	2
17	96131	PIN, CHASSIS PIVOT.....	2
18	84581	OUTER ARM ASSY#1,15&19FT WORD.....	1
		(models with word decals)	
18A	84583	OUTER ARM ASSY,#1,15&19FT SYMB (models with symbol decals)	
19	84582	INNER ARM ASSY,#2,15/19 FT,WRD.....	1
--	96487	BEARING,1.26IDX1.53ODX1.25L....	8
20	96368	WELDMENT, CABLE BRIDGE, 2 ARMS.....	1
21	96283	PIN, CYLINDER, SHORT.....	1
22		Ref. Lift Cylinder (refer to 506.1)	

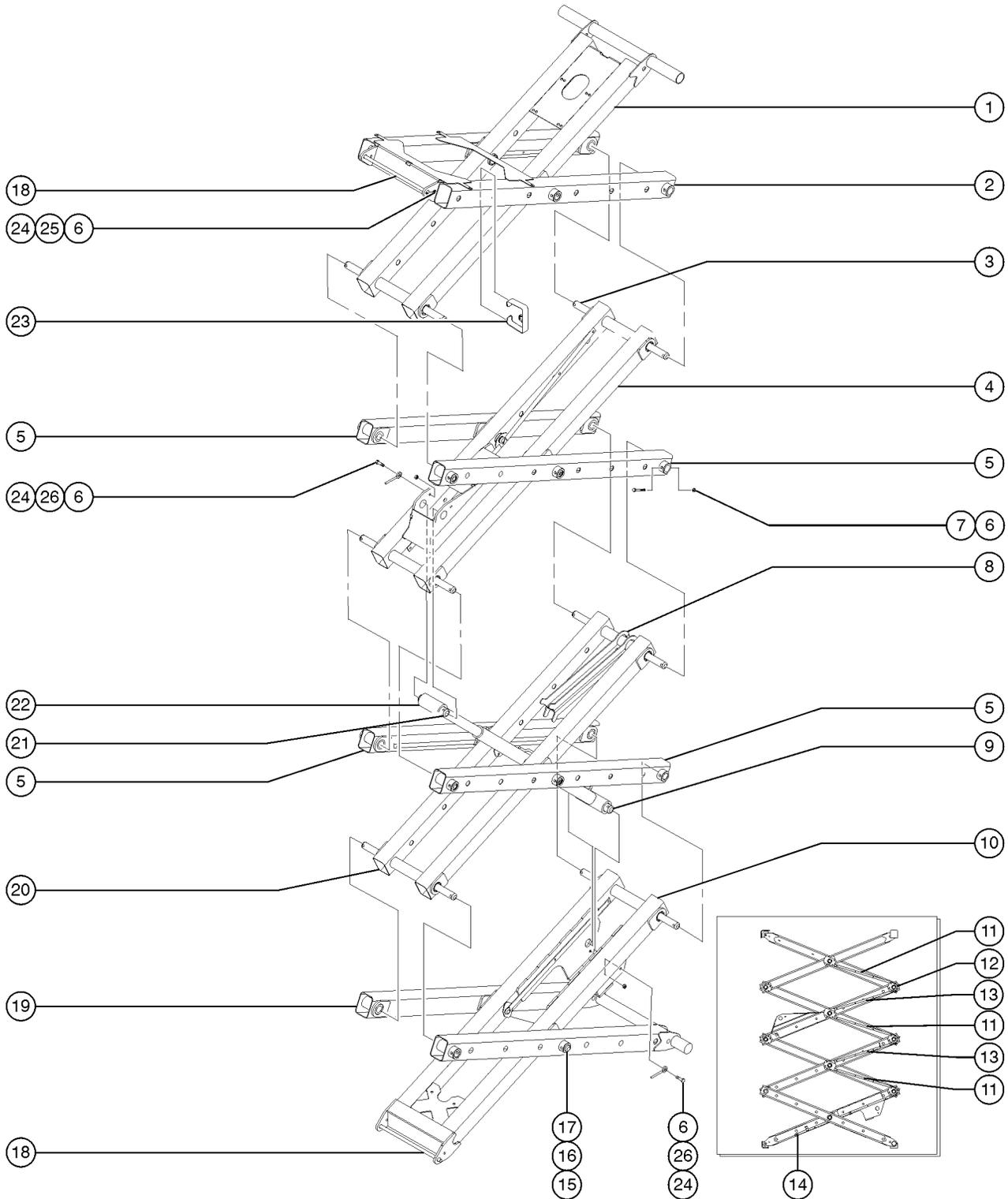
303.1 Scissor Assembly, GS-1930, GS-1932



303.1 Scissor Assembly, GS-1930, GS-1932

Item	Part No.	Description	Qty.
1	96369	WELDMENT, CABLE BRIDGE, 1 ARMS.....	2
2	84579	INNER ARM ASSY,#4 19FT.....	1
--	96487	BEARING,1.26IDX1.53ODX1.25L....	6
3	96125	WELDMENT,LINK,PLAT MOUNT.....	1
4	96127	PIN,LINKAGE,LONG.....	6
4A	105085	PIN,MINI END	
5	96368	WELDMENT, CABLE BRIDGE, 2 ARMS.....	2
6	84580	INNER ARM ASSY, #3, 19FT.....	1
--	96487	BEARING,1.26IDX1.53ODX1.25L....	8
7	96121	WELDMENT, LINK, SINGLE.....	4
8	4828	NUT,NYLOCK,3/8-16	
9	8178	SCREW,HHC,3/8-16 X 2.5	
10	58000	SAFETY CHOCK,SCISSOR.....	1
11	47666	PIN,1.50DIAX8.95LG,1HOLE.....	1
12	84584	INNER ARM ASSY,#1,15&19FT WORD <i>(models with word decals)</i>	
--	96487	BEARING,1.26IDX1.53ODX1.25L....	6
12A	84585	INNER ARM ASSY,#1,15&19FT SYMB <i>(models with symbol decals)</i>	
--	96487	BEARING,1.26IDX1.53ODX1.25L....	
13	30217	SNAP RING,EXTERNAL,1.25 DIA. **.....	8
14	39835	WASHER,SCIS ARM,1.54X2.00X.125	
15	96130	PIN, MINI, CENTER.....	8
16	96131	PIN, CHASSIS PIVOT.....	2
17	84581	OUTER ARM ASSY#1,15&19FT WORD..... <i>(models with word decals)</i>	1
17A	84583	OUTER ARM ASSY,#1,15&19FT SYMB <i>(models with symbol decals)</i>	
18	84582	INNER ARM ASSY,#2,15/19 FT,WRD.....	1
19	96283	PIN, CYLINDER, SHORT.....	1
20		Ref. Lift Cylinder (refer to 506.1)	
21	96331	LINK BUMPER.....	8
22	8516	SCREW,HHC,3/8-16 X 1.50,GR5	
23	45748	ROD END,.250 X 2.75 LG.....	2

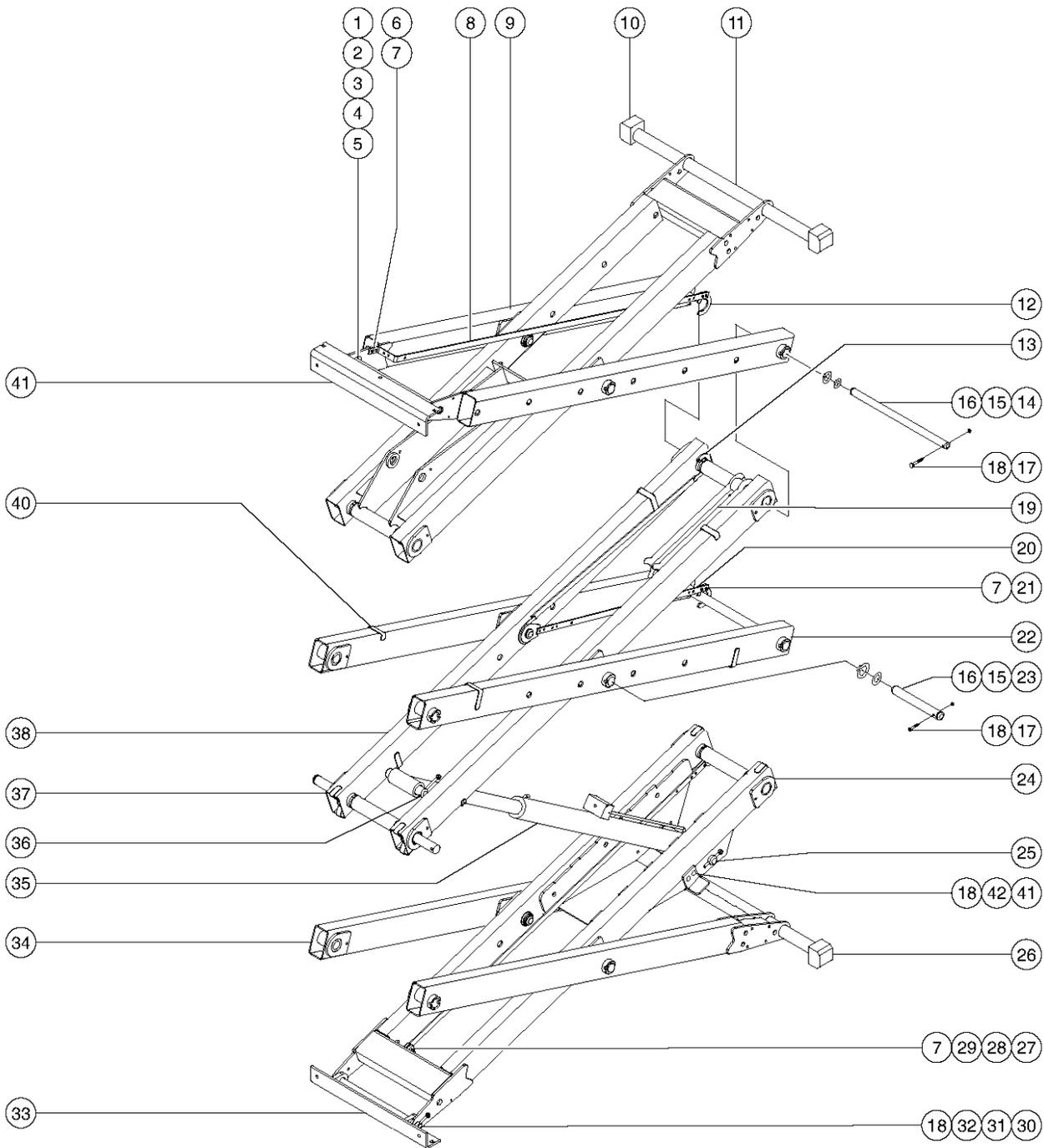
303.2 Scissor Assembly, GS-1930, GS-1932 (from SNs GS3006A-84658, GS3006B-80109 and GS3008C-101)



303.2 Scissor Assembly, GS-1930, GS-1932 (from SNs GS3006A-84658, GS3006B-80109 and GS3008C-101)

Item	Part No.	Description	Qty.	Item	Part No.	Description	Qty.
1	84579	INNER ARM ASSY,#4 19FT.....	1	18	96131	PIN, CHASSIS PIVOT.....	2
--	96487	BEARING,1.26IDX1.53ODX1.25L....	6	19	84581	OUTER ARM ASSY#1,15&19FT WORD.....	1
2	105280	WELDMENT,LINK PLATFORM MNT***.....	2			<i>(USA, Canada, Australia)</i>	
3	105085	PIN,MINI END.....	6	19A	84583	OUTER ARM ASSY,#1,15&19FT SYMB <i>(Europe, Asia, South America)</i>	
4	84580	INNER ARM ASSY, #3, 19FT.....	1	20	84582	INNER ARM ASSY,#2,15/19 FT,WRD.....	1
--	96487	BEARING,1.26IDX1.53ODX1.25L....	8	21	96283	PIN, CYLINDER, SHORT.....	1
5	96121	WELDMENT, LINK, SINGLE.....	4	22		Ref. Lift Cylinder <i>(refer to 506.1)</i>	
6	4828	NUT,NYLOCK,3/8-16		23	96331	LINK BUMPER.....	8
7	8178	SCREW,HHC,3/8-16 X 2.5 <i>(from SN GS3007A-91248, GS3007B-86915 and GS3008C-101)</i>		24	8516	SCREW,HHC,3/8-16 X 1.50,GR5	
7A	14033	SCREW,HHC,3/8-16 X 2.75 <i>(to SN GS3007A-91247 and to SN GS3007B-86914)</i>		25	45748	ROD END,.250 X 2.75 LG.....	2
8	58000	SAFETY CHOCK,SCISSOR.....	1	26	45226	ROD END,.375 X 3.69.....	2
9	47666	PIN,1.50DIAX8.95LG,1HOLE.....	1				
10	105997	INNER ARM ASSY#1,15&19FT,WORD <i>(USA, Canada, Australia) (from SN 96548)</i>					
--	84584	INNER ARM ASSY,#1,15&19FT WORD.....	1			<i>(USA, Canada, Australia) (to SN 96547)</i>	
--	96487	BEARING,1.26IDX1.53ODX1.25L....	6				
10A	105998	INNER ARM ASSY#1,15&19FT,SYMB <i>(Europe, Asia, South America) (from SN 96548 and GS3008C-101)</i>					
--	84585	INNER ARM ASSY,#1,15&19FT SYMB <i>(Europe, Asia, South America) (to 96547)</i>					
--	96487	BEARING,1.26IDX1.53ODX1.25L....	6				
11	105183	WLDMT,CABLE BRIDGE,BOTTOM,MINI.....	3				
12	105185	CLIP, CABLEBRIDGE, MINI.....	3				
13	105184	WELDMENT,CABLE BRIDGE, TOP,MINI.....	2				
14	105182	WLDMT,CABLE BRIDGE,LOWER,MINI.....	1				
15	30217	SNAP RING,EXTERNAL,1.25 DIA.**.....	8				
16	96390	WASHER,FLAT, 1.27 X 2.13 X .13					
17	96130	PIN, MINI, CENTER.....	8				

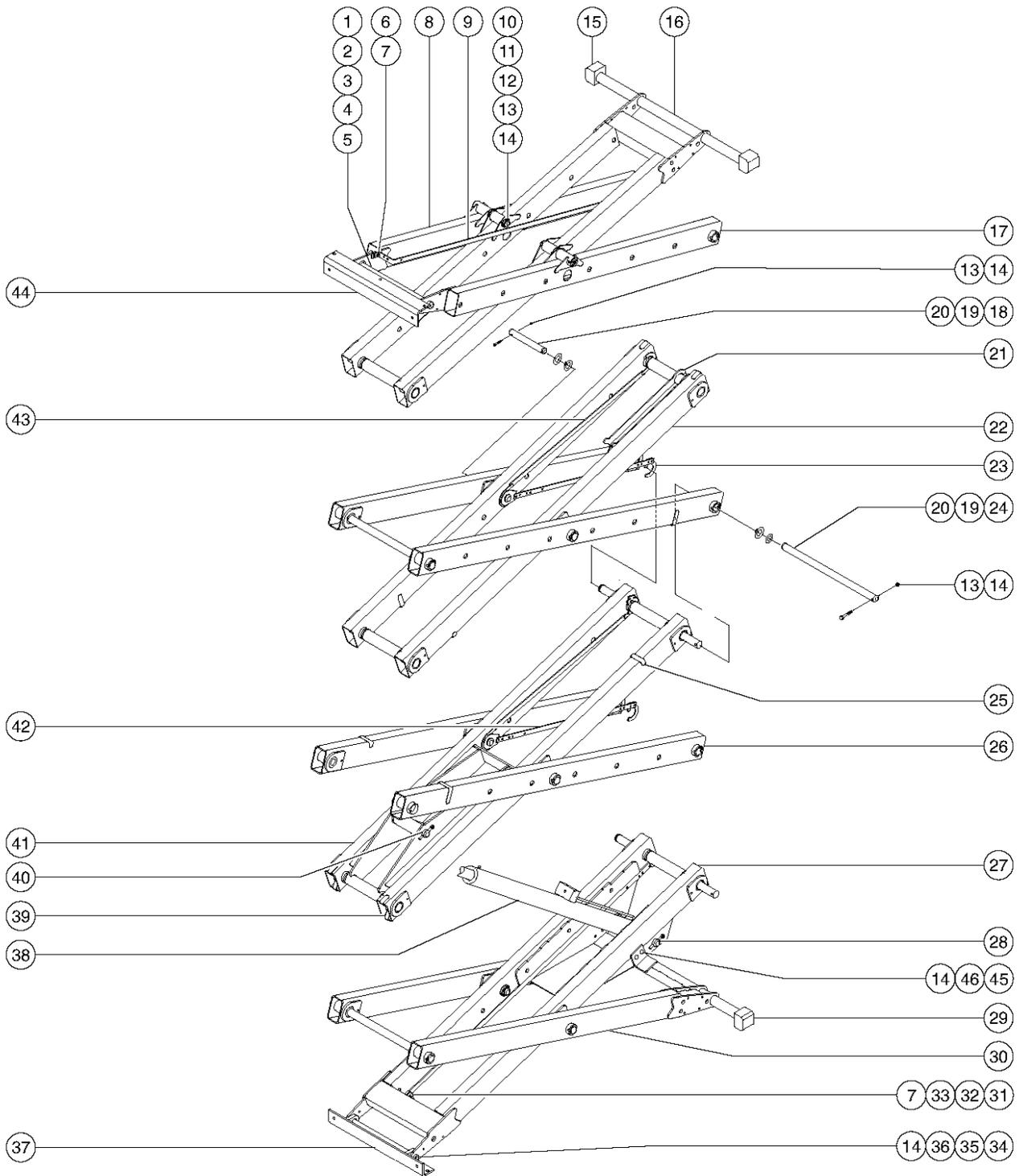
304.1 Scissor Assembly, GS-2032, GS-2046



304.1 Scissor Assembly, GS-2032, GS-2046

Item	Part No.	Description	Qty.	Item	Part No.	Description	Qty.
1	96932	PIN, LINKSET MOUNT, 3/4".....	1	27	58592	PLATE,HOSE	
2	45748	ROD END,.250 X 2.75 LG.....	2			ROUTG,BULKHEAD(PTD).....	2
3	8915	SCREW,HHC,1/4-20 X 1.25		28	78736	CLAMP,2 HOSE,PLASTIC,5/8.....	4
4	6356	WASHER,LOCK,.25		29	96905	BOLT,CARRIAGE,1/4-20 X 2.5,G2	
5	6091	NUT,NYLOCK,1/4-20		30	96862	PIN, LINKSET MOUNT, 1".....	1
6	9116	BOLT,CARRIAGE,1/4-20 X 1.25,G2		31	45226	ROD END,.375 X 3.69.....	3
7	18504	NUT,LOCKING-LG.FLANGE,1/4-20		32	8516	SCREW,HHC,3/8-16 X 1.50,GR5	
8	96786	BAR, CABLEBRIDGE, LONG.....	2	33		Ref. Chassis Mount Assembly (refer to 301.1)	
9	96611	WLDMT,LNK,OUT #3-20XX,#5-32XX.....	2	34	84691	OUTER ARM ASSY,#1, GS32 WORD.....	1
10		Ref. Platform Slider (refer to 301.1)				GS-2032 (models with word decals)	
11	84696	INNER ARM ASSY,#3 GS2032.....	1	34A	84692	OUTER ARM ASSY,#1, GS32 SYMBOL	
--	66055	BEARING,1.50IDX1.77ODX1.25L....	6			GS-2032 (models with symbol decals)	
11A	97233	INNER ARM ASSY, #3, 2046 GS-2046		34B	97237	OUTER ARM ASSY #1, GS46 WORD.....	1
--	66055	BEARING,1.50IDX1.77ODX1.25L....	6			GS-2046 (models with word decals)	
12	96787	CLIP, CABLEBRIDGE.....	2	34C	97238	OUTER ARM ASSY #1, GS46, SYMBO	
13	96978	WELDMENT,CABLEBRIDGE HOOK.....	1			GS-2046 (models with symbol decals)	
14	96899	PIN, LONG, GS46.....	4	35		Ref. Lift Cylinder (refer to 506.1)	
15	39835	WASHER,SCIS ARM,1.54X2.00X.125		36	96661	PIN, UPPER CYLINDER MOUNT....	1
16	18383	SNAP RING,EXTERNAL,1.5 DIA***.....	10	37	96735	LINK BUMPER, 5".....	4
17	6326	SCREW,HHC,3/8-16 X 3		38	97234	INNER ARM ASSY, #2, GS32&46....	1
18	4828	NUT,NYLOCK,3/8-16		--	66055	BEARING,1.50IDX1.77ODX1.25L....	8
19	58000	SAFETY CHOCK,SCISSOR.....	1	39	96836	LINK BUMPER, SHORT TUBE.....	8
20	96866	WELDMENT,CABLEBRIDGE,SHORT.2		40		Ref. Platform Mount Assembly (refer to 301.1)	
21	6878	BOLT,CARRIAGE,1/4-20 X .75,G2		41	105092	BOLT,CARRIAGE,3/8-16X1.25,GR5 GS-2046	
22	96605	WLDMT,LNK,OUTER #2,#3,#4.....	2	42	105074	FORMING,PH PUSHER, GS46.....	1
23	96900	PIN, SHORT, GS46.....	6			GS-2046	
24	97235	INNER ARM ASSY #1, GS32&46, WO.....	1				
--	66055	BEARING,1.50IDX1.77ODX1.25L....	6				
24A	97236	INNER ARM ASSY #1, GS32&46, SY (models with symbol decals)					
--	66055	BEARING,1.50IDX1.77ODX1.25L....	6				
25	96662	PIN, LOWER CYLINDER MOUNT...1					
26		Ref. Chassis Slider (refer to 301.1)					

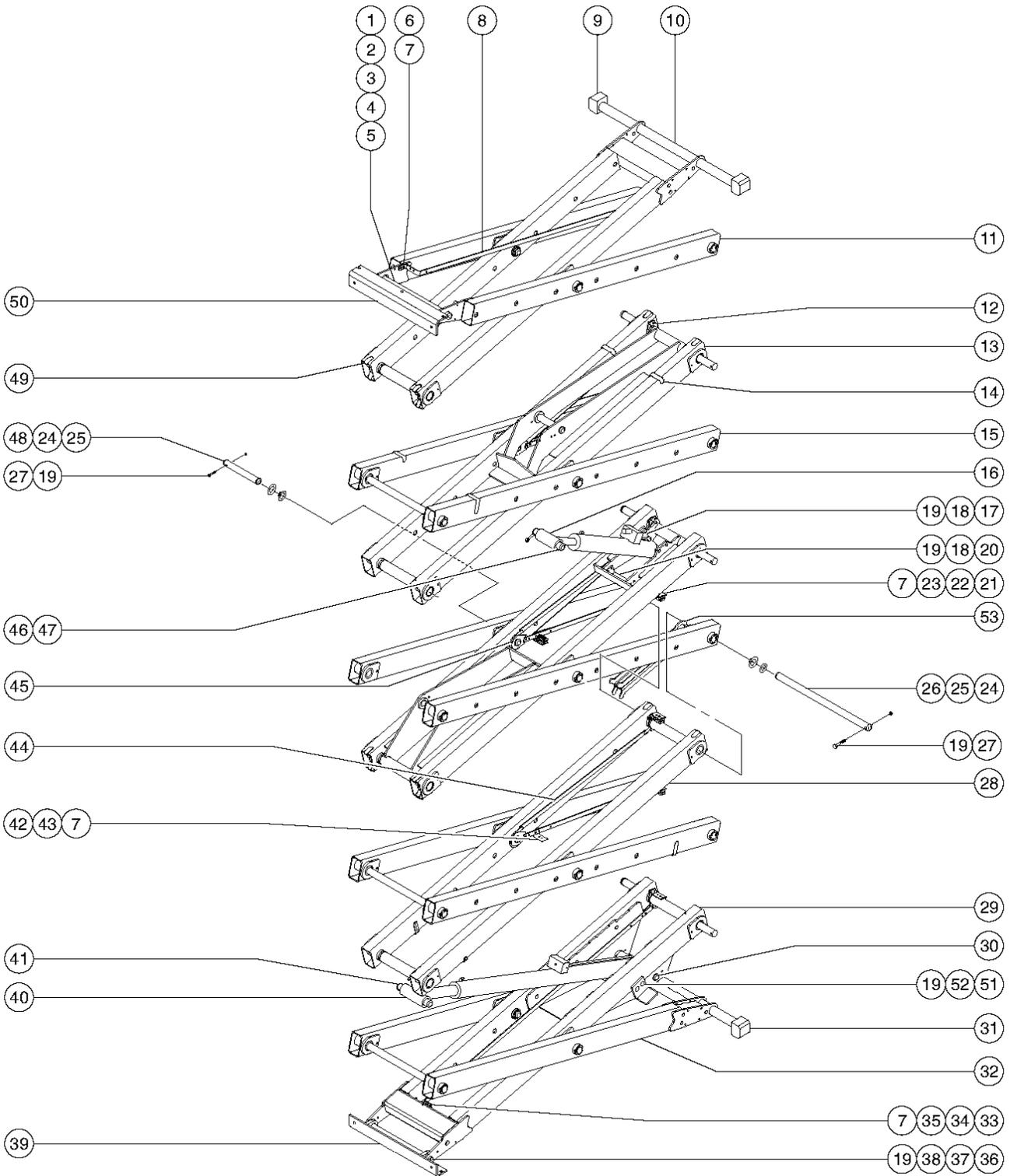
305.1 Scissor Assembly, GS-2632, GS-2646



305.1 Scissor Assembly, GS-2632, GS-2646

Item	Part No.	Description	Qty.	Item	Part No.	Description	Qty.
1	96932	PIN, LINKSET MOUNT, 3/4".....	1	30	84691	OUTER ARM ASSY,#1, GS32 WORD.....	1
2	45748	ROD END,.250 X 2.75 LG.....	2			GS-2632 (models with word decals)	
3	8915	SCREW,HHC,1/4-20 X 1.25		30A	84692	OUTER ARM ASSY,#1, GS32 SYMBOL	
4	6356	WASHER,LOCK,.25				GS-2632 (models with symbol decals)	
5	6091	NUT,NYLOCK,1/4-20		30B	97237	OUTER ARM ASSY #1, GS46 WORD.....	1
6	9116	BOLT,CARRIAGE,1/4-20 X 1.25,G2				GS-2646 (models with word decals)	
7	18504	NUT,LOCKING-LG.FLANGE,1/4-20		30C	97238	OUTER ARM ASSY #1, GS46, SYMBO	
8	96615	WLDMT,LNK,OUTER #4,26XX.....	1			GS-2646 (models with symbol decals)	
		(ground controls side)		31	58592	PLATE,HOSE ROUTG,BULKHEAD(PTD).....	2
9	96786	BAR, CABLEBRIDGE, LONG.....	2	32	78736	CLAMP,2 HOSE,PLASTIC,5/8.....	4
10	96130	PIN, MINI, CENTER.....	2	33	96905	BOLT,CARRIAGE,1/4-20 X 2.5,G2	
11	30217	SNAP RING,EXTERNAL,1.25 DIA.**		34	96862	PIN, LINKSET MOUNT, 1".....	1
12	96390	WASHER,FLAT, 1.27 X 2.13 X .13		35	45226	ROD END,.375 X 3.69.....	3
13	6326	SCREW,HHC,3/8-16 X 3		36	8516	SCREW,HHC,3/8-16 X 1.50,GR5	
14	4828	NUT,NYLOCK,3/8-16		37		Ref. Chassis Mount Assembly (refer to 301.1)	
15		Ref. Platform Slider (refer to 301.1)		38		Ref. Lift Cylinder (refer to 506.1)	
16	97243	INNER ARM ASSY #4, 2646.....	1	39	96735	LINK BUMPER, 5".....	4
--	66055	BEARING,1.50IDX1.77ODX1.25L....	6	40	96661	PIN, UPPER CYLINDER MOUNT....	1
17	96616	WLDMT,LNK,OUTER #4,26XX,LEFT.....	1	41	97234	INNER ARM ASSY, #2, GS32&46....	1
		(battery pack side)		--	66055	BEARING,1.50IDX1.77ODX1.25L....	8
18	96900	PIN, SHORT, GS46.....	6	42	96866	WELDMENT,CABLEBRIDGE,SHORT.4	
19	39835	WASHER,SCIS ARM,1.54X2.00X.125		43	96978	WELDMENT,CABLEBRIDGE HOOK.....	2
20	18383	SNAP RING,EXTERNAL,1.5 DIA***.....	12	44		Ref. Platform Mount Assembly (refer to 301.1)	
21	58000	SAFETY CHOCK,SCISSOR.....	1	45	105092	BOLT,CARRIAGE,3/8-16X1.25,GR5 GS-2646	
22	97244	INNER ARM ASSY #3, 2632/2646...1		46	105074	FORMING,PH PUSHER, GS46.....	1
--	66055	BEARING,1.50IDX1.77ODX1.25L....	8			GS-2646	
23	96787	CLIP, CABLEBRIDGE.....	3				
24	96899	PIN, LONG, GS46.....	6				
25	96836	LINK BUMPER, SHORT TUBE.....	8				
26	96605	WLDMT,LNK,OUTER #2,#3,#4.....	4				
27	97235	INNER ARM ASSY #1, GS32&46, WO.....	1				
		(models with word decals)					
--	66055	BEARING,1.50IDX1.77ODX1.25L....	6				
27A	97236	INNER ARM ASSY #1, GS32&46, SY (models with symbol decals)					
--	66055	BEARING,1.50IDX1.77ODX1.25L....	6				
28	96662	PIN, LOWER CYLINDER MOUNT...1					
29		Ref. Chassis Slider (refer to 301.1)					

306.1 Scissor Assembly, GS-3246

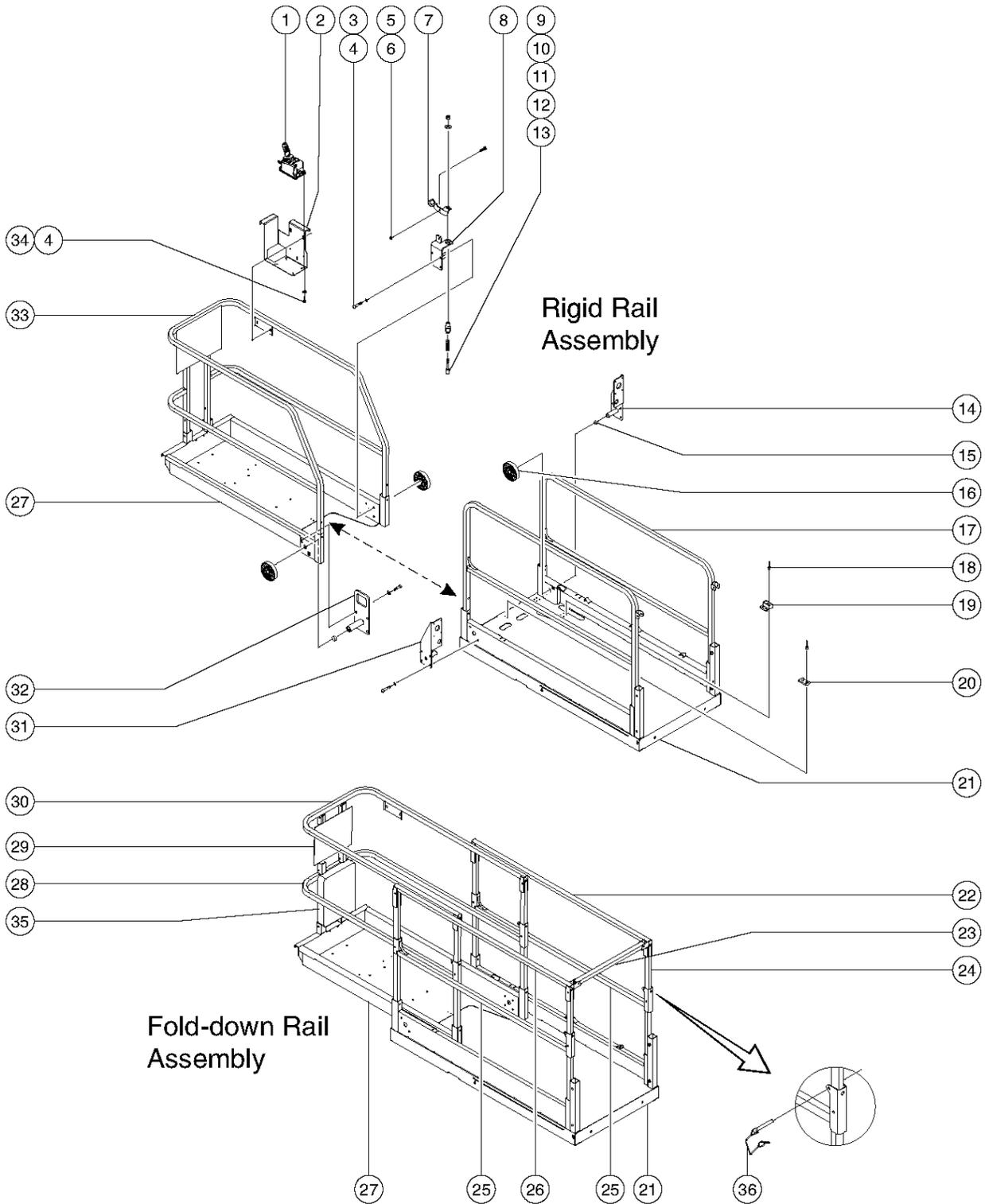


306.1 Scissor Assembly, GS-3246

Item	Part No.	Description	Qty.	Item	Part No.	Description	Qty.
1	96932	PIN, LINKSET MOUNT, 3/4".....	1	--	66055	BEARING,1.50IDX1.77ODX1.25L....	6
2	45748	ROD END,.250 X 2.75 LG.....	2	30	96662	PIN, LOWER CYLINDER MOUNT...	1
3	8915	SCREW,HHC,1/4-20 X 1.25		31		Ref. Chassis Slider <i>(refer to 301.1)</i>	
4	6356	WASHER,LOCK,.25		32	97237	OUTER ARM ASSY #1, GS46 WORD.....	1
5	6091	NUT,NYLOCK,1/4-20				<i>(models with word decals)</i>	
6	9116	BOLT,CARRIAGE,1/4-20 X 1.25,G2		32A	97238	OUTER ARM ASSY #1, GS46, SYMBO	
7	18504	NUT,LOCKING-LG.FLANGE,1/4-20				<i>(models with symbol decals)</i>	
8	96786	BAR, CABLEBRIDGE, LONG.....	2	33	58592	PLATE,HOSE ROUTG,BULKHEAD(PTD).....	2
9		Ref. Platform Slider <i>(refer to 301.1)</i>		34	78736	CLAMP,2 HOSE,PLASTIC,5/8.....	18
10	97245	INNER ARM ASSY #5, 3246.....	1	35	96903	BOLT,CARRIAGE,1/4-20 X 3.50,G2	
--	66055	BEARING,1.50IDX1.77ODX1.25L....	8	36	96862	PIN, LINKSET MOUNT, 1".....	1
11	96611	WLDMT,LNK,OUT #3-20XX,#5-32XX.....	2	37	45226	ROD END,.375 X 3.69.....	4
12	96787	CLIP, CABLEBRIDGE.....	4	38	8516	SCREW,HHC,3/8-16 X 1.50,GR5	
13	97246	INNER ARM ASSY #4, 3246.....	1	39		Ref. Chassis Mount Assembly <i>(refer to 301.1)</i>	
--	66055	BEARING,1.50IDX1.77ODX1.25L....	8	40		Ref. Lift Cylinder, Bottom <i>(refer to 506.1)</i>	
14	96836	LINK BUMPER, SHORT TUBE.....	8	41	96812	PIN, LOWER CYL, ROD END.....	1
15	96605	WLDMT,LNK,OUTER #2,#3,#4.....	6	42	105021	FORMING,CB HOSE CLAMP.....	4
16		Ref. Lift Cylinder, Top <i>(refer to 506.1)</i>		43	6878	BOLT,CARRIAGE,1/4-20 X .75,G2	
17	96700	PLATE, PIN RETAINER.....	2	44	96978	WELDMENT,CABLEBRIDGE HOOK.....	3
18	60790	BOLT,CARRIAGE,3/8-16 X1.50,G5		45	96866	WELDMENT,CABLEBRIDGE,SHORT.3	
19	4828	NUT,NYLOCK,3/8-16		46	96661	PIN, UPPER CYLINDER MOUNT....	1
20	96971	FORMING,HOSE CLAMP,UPPER CYL.....	1	47	96663	PIN, SADDLE CYLINDER MOUNT.....	1
21	78736	CLAMP,2 HOSE,PLASTIC,5/8.....	18	48	96900	PIN, SHORT, GS46.....	6
22	6145	SCREW,HHC,1/4-20 X 1.5		49	96735	LINK BUMPER, 5".....	8
23	6638	WASHER,FLAT,USS,1/4"Y		50		Ref. Platform Mount Assembly <i>(refer to 301.1)</i>	
24	96899	PIN, LONG, GS46.....	8	51	105092	BOLT,CARRIAGE,3/8-16X1.25,GR5 GS-3246	
25	39835	WASHER,SCIS ARM,1.54X2.00X.125		52	105074	FORMING,PH PUSHER, GS46.....	1
26	18383	SNAP RING,EXTERNAL,1.5 DIA***.....	18			GS-3246	
27	6326	SCREW,HHC,3/8-16 X 3		53	58001	SAFETY CHOCK-SCISSOR.....	1
28	97234	INNER ARM ASSY, #2, GS32&46....	1				
--	66055	BEARING,1.50IDX1.77ODX1.25L....	8				
29	97235	INNER ARM ASSY #1, GS32&46, WO.....	1				
		<i>(models with word decals)</i>					
--	66055	BEARING,1.50IDX1.77ODX1.25L....	6				
29A	97236	INNER ARM ASSY #1, GS32&46, SY <i>(models with symbol decals)</i>					



401.1 Platform Components, GS-30



401.1 Platform Components, GS-30

Item	Part No.	Description	Qty.	Item	Part No.	Description	Qty.
--	97081	PLAT ASSY RIGID SWING 1530ANSI (ANSI and CSA Models with Word Decals)		--	97099	PLAT ASSY FOLD SWING 1530SMBL (Models with Symbol Decals except CE)	
--	97082	PLAT ASSY RIGID CHAIN 1530ANSI (ANSI and CSA Models with Word Decals)		--	97100	PLAT ASSY FOLD CHAIN 1530SMBL (Models with Symbol Decals except CE)	
--	97083	PLAT ASSY FOLD SWING 1530ANSI (ANSI and CSA Models with Word Decals)		--	97101	PLAT ASSY RIGID SWING 1930SMBL (Models with Symbol Decals except CE)	
--	97084	PLAT ASSY FOLD CHAIN 1530ANSI (ANSI and CSA Models with Word Decals)		--	97102	PLAT ASSY RIGID CHAIN 1930SMBL (Models with Symbol Decals except CE)	
--	97085	PLAT ASSY RIGID SWING 1930ANSI (ANSI and CSA Models with Word Decals)		--	97103	PLAT ASSY FOLD SWING 1930SMBL (Models with Symbol Decals except CE)	
--	97086	PLAT ASSY RIGID CHAIN 1930ANSI (ANSI and CSA Models with Word Decals)		--	97104	PLAT ASSY FOLD CHAIN 1930SMBL (Models with Symbol Decals except CE)	
--	97087	PLAT ASSY FOLD SWING 1930ANSI (ANSI and CSA Models with Word Decals)		1		Ref. Platform Control Box (refer to 406.1)	
--	97088	PLAT ASSY FOLD CHAIN 1930ANSI (ANSI and CSA Models with Word Decals)		2		Ref. Platform Control Box Mount Bracket (refer to 406.1)	
--	97089	PLAT ASSY RIGID SWING 1532 CE (CE Models with Symbol Decals)		3	5224	SCREW,HHC,3/8-16 X 2	
--	97090	PLAT ASSY FOLD SWING 1532 CE (CE Models with Symbol Decals)		4	6021	WASHER,LOCK,.375	
--	97091	PLAT ASSY RIGID SWING 1932 CE (CE Models with Symbol Decals)		5	6002	NUT,LP NYLOCK,5/16-18	
--	97092	PLAT ASSY FOLD SWING 1932 CE (CE Models with Symbol Decals)		6	47227	SCREW,SHS,5/16-18 X .25	
--	97093	PLAT ASSY RIGID SWING 1532 AUS (Australia Models with Word Decals)		7	46260	FOOTPEDAL W/NON-SKID TAPE,GS.....	1
--	97094	PLAT ASSY FOLD SWING 1532 AUS (Australia Models with Word Decals)		--	47225	TAPE,NON-SKID,DIE CUT,1.38X1.5	
--	97095	PLAT ASSY RIGID SWING 1932 AUS (Australia Models with Word Decals)		8	96413	WLDMT,LOCKING ROLLER SUPPORT.....	1
--	97096	PLAT ASSY FOLD SWING 1932 AUS (Australia Models with Word Decals)		9	39470	PIN, LOCK.....	1
--	97097	PLAT ASSY RIGID SWING 1530SMBL (Models with Symbol Decals except CE)		10	39469	SPRING,COMPRESSION.485 X1.75**.....	1
--	97098	PLAT ASSY RIGID CHAIN 1530SMBL (Models with Symbol Decals except CE)		11	41630	HOUSING,LOCK PIN.....	1
				12	6097	WASHER,FLAT,USS,3/8",Y	
				13	7713	NUT,LP NYLOCK,3/8-16	
				14	84587	ROLLER BRACKET ASSY, GRND CNTR.....	1
				15	21279	BUTTON, .800 O.D. X .281.....	3
				16	47163	ROLLER,PLATFORM EXTENSION.....	4



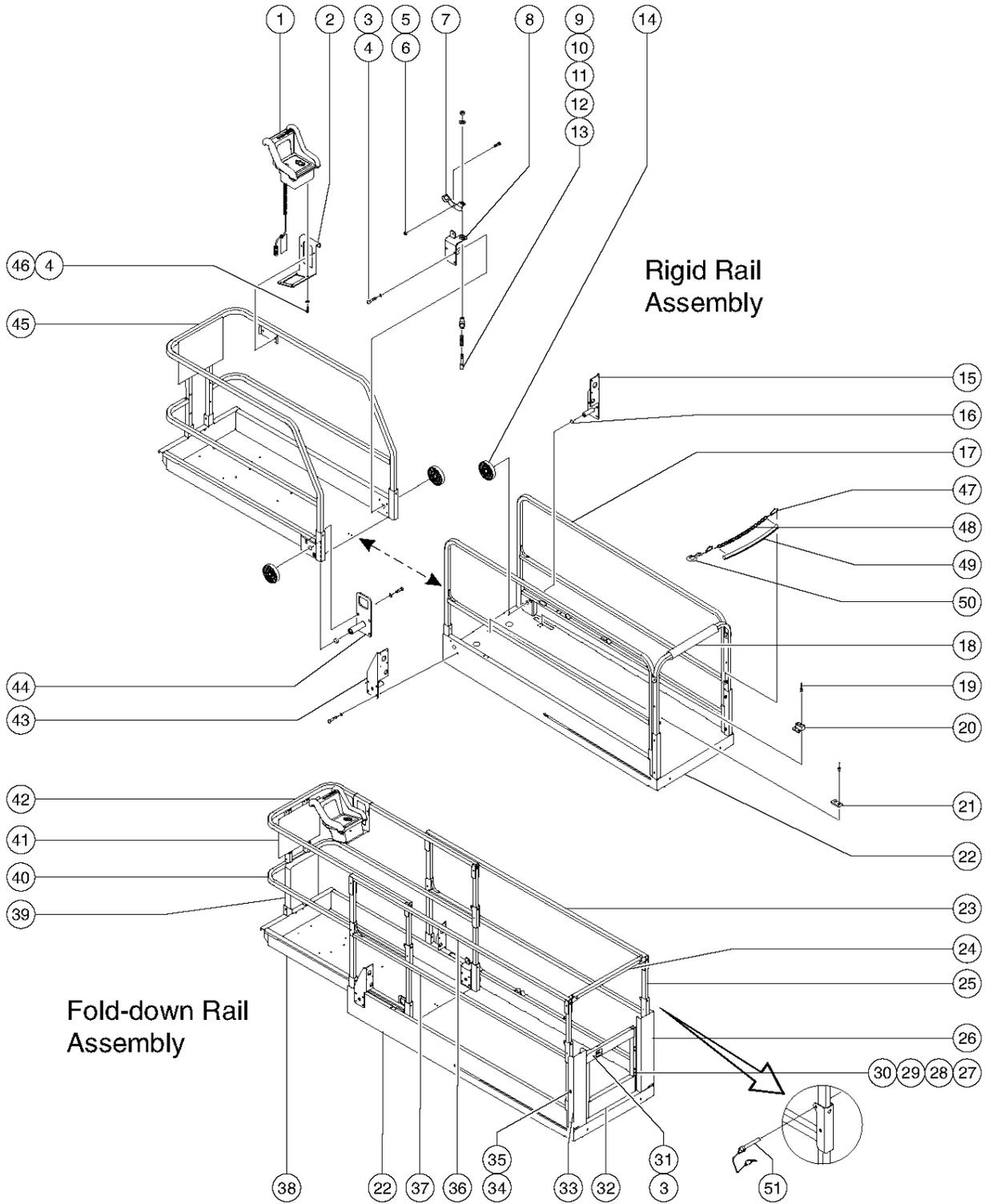
401.1 Platform Components, GS-30  
(continued)

Item	Part No.	Description	Qty.	Item	Part No.	Description	Qty.
17	97034	GS30 RIDGID MAIN SIDE SQ RAIL.....	2	28	96336	WLDMT, EXT DECK LWR RAIL.....	1
18	T113787	RIVET,ALUM,STL,.188 X .250.....	20	29	97108	PLAT EXT PLATE ASSY,GS30 WORD.....	1
19	39310	WEAR/GUIDE PAD MAIN PLATFORM.....	4			(to SN 61512) (models with word decals)	
20	39474	WEAR PAD,PLATFORM.....	2	29A	97109	PLATE EXT PLATE ASSY,GS30 SMBL	
21	97115	PLAT MAIN DECK ASSY,1530 ANSI.....	1			(to SN 61512) (models with symbol decals)	
--	47098	TAPE,NON-SKID,DIE CUT,4"X 40"		29B	144208	ASSY,DECAL PLATE,GS30,WORD	
--	47231	TAPE,NON-SKID,DIE CUT,4"X 16"				(from SN GS3003-61513 to GS3005-75999, GS3005A-76000 to GS3007A-91371 and GS3005B-76000 to GS3007B-88079) (models with word decals)	
21A	97116	PLAT MAIN DECK ASSY,1532 CE (CE models)		29C	84590	DECAL PLATE ASSY W/SYM DECALS	
21B	97117	PLAT MAIN DECK ASSY,1532 AUS (Australia models)				(from SN 61513) (models with symbol decals)	
21C	97118	PLAT MAIN DECK ASSY,1530 SMBL (models with symbol decals except CE models)		30	84588	PLAT EXTN RAIL ASSY,UPPER.....	1
21D	97119	PLAT MAIN DECK ASSY,1930 ANSI (ANSI and CSA models)				(to SN 61512)	
21E	97120	PLAT MAIN DECK ASSY,1932 CE (CE models)		30A	97213	EXT RAIL ASSY, UPPER, GS30	
21F	97121	PLAT MAIN DECK ASSY,1932 AUS (Australia models)				(from SN 61513)	
21G	97122	PLAT MAIN DECK ASSY,1930 SMBL (models with symbol decals except CE models)		30B	78038	CAP, TUBE, SQ,1.25 X .083	
22	66890	WLDMT, MAIN SIDERAIL, UPPER,RT.....	1	31	96246	WELDMNT,ROLLER BRACKET,LT***.....	1
		(ground controls side)					
22	78038	CAP, TUBE, SQ,1.25 X .083		32	84586	LANYARD ROLLER BRKT ASSY W/DEC.....	1
23	66886	ENTRY SWING TUBE.....	1				
24	66485	TUBE, VERT, FOLDING.....	6	33	97106	PLAT EXT RAIL ASSY,GS30 WORD.....	1
25	78038	CAP, TUBE, SQ,1.25 X .083				(to SN 61512) (models with word decals)	
25	97041	MAIN RAIL, FOLDING, GS30.....	2	33A	97107	PLAT EXT RAIL ASSY,GS30 SMBL	
26	66889	WLDMT, MAIN SIDERAIL,UPPER,LFT.....	1			(to SN 61512) (models with symbol decals)	
		(battery pack side)		33B	96844	FIXED RAILS ASSY,GS30 WORD	
26	78038	CAP, TUBE, SQ,1.25 X .083				(from SN 91372) (models with word decals)	
27	97123	PLAT EXT DECK ASSY,GS30.....	1	33C	97132	FIXED RAILS ASSY, GS30 SYMBOL	
--	39474	WEAR PAD,PLATFORM.....	1			(from SN 91372) (models with symbol decals)	
--	47374	TAPE,NON-SKID,DIE CUT,4"X 32".....	3	33D	144209	WLDT,EX.RAIL,RIGID,GS30	
--	T113787	RIVET,ALUM,STL,.188 X .250.....	2			(from 61513 to 91371) (decals sold separately, refer to 101.1 or 102.1)	
		for 39474		34	8255	SCREW,HHC,3/8-16 X .75	
				35	44743	MANUAL BOX W/DECALS***	
						(ANSI, CSA)	
				35A	24514	BOX,INSTRUCTION STORAGE.....	1
						(CE)	

401.1 Platform Components, GS-30  
(continued)

Item	Part No.	Description	Qty.
36	66030	PIN, WIRE LOCK 3/8 X 2 -1/2	

402.1 Platform Components, GS-32



402.1 Platform Components, GS-32

Item	Part No.	Description	Qty.	Item	Part No.	Description	Qty.
--	97290	PLAT ASSY, RIGID/CHN,2032 ANSI <i>(ANSI and CSA Models with Word Decals)</i>		2		Ref. Platform Control Box Mount <i>(refer to 406.1)</i>	
--	97291	PLAT ASSY,RIGID/SWG,2032 ANSI <i>(ANSI and CSA Models with Word Decals)</i>		3	5224	SCREW,HHC,3/8-16 X 2	
--	97292	PLAT ASSY,FLD/CHN,2032 ANSI WO <i>(ANSI and CSA Models with Word Decals)</i>		4	6021	WASHER,LOCK,.375	
--	97293	PLAT ASSY,FLD/SWG,2032 ANSI WO <i>(ANSI and CSA Models with Word Decals)</i>		5	6002	NUT,LP NYLOCK,5/16-18	
--	97294	PLAT ASSY,FLD/SWG,2632 ANSI WO <i>(ANSI and CSA Models with Word Decals)</i>		6	47227	SCREW,SHS,5/16-18 X .25	
--	97295	PLAT ASSY,RIGID/CHN,2032 ANSI <i>(Models with Symbol Decals except CE)</i>		7	46260	FOOTPEDAL W/NON-SKID TAPE,GS.....1	
--	97296	PLAT ASSY,RIGID/SWG, 2032 ANSI <i>(Models with Symbol Decals except CE)</i>		--	47225	TAPE,NON-SKID,DIE CUT,1.38X1.5	
--	97297	PLAT ASSY,FLD/CHN,2032 ANSI SY <i>(Models with Symbol Decals except CE)</i>		8	96413	WLDMT,LOCKING ROLLER SUPPORT.....1	
--	97298	PLAT ASSY,FLD/SWG,2032 ANSI SY <i>(Models with Symbol Decals except CE)</i>		9	39470	PIN, LOCK.....1	
--	97299	PLAT ASSY,FLD/SWG,2632 ANSI SY <i>(Models with Symbol Decals except CE)</i>		10	39469	SPRING,COMPRESSION.485 X1.75**.....1	
--	97300	PLAT ASSY,FLD/SWG,2032 CE SYMB <i>(CE Models with Symbol Decals)</i>		11	41630	HOUSING,LOCK PIN.....1	
--	97301	PLAT ASSY,FLD/SWG 2632 CE SYMB <i>(CE Models with Symbol Decals)</i>		12	6097	WASHER,FLAT,USS,3/8",Y	
--	97302	PLAT ASSY,RIGID/SWG, 2032 AUS <i>(Australia Models with Word Decals)</i>		13	7713	NUT,LP NYLOCK,3/8-16	
--	97303	PLAT ASSY,FLD/SWG, 2032 AUS WO <i>(Australia Models with Word Decals)</i>		14	47163	ROLLER,PLATFORM EXTENSION.....4	
--	97304	PLAT ASSY,FLD/SWG,2632 AUS WOR <i>(Australia Models with Word Decals)</i>		15	84587	ROLLER BRACKET ASSY, GRND CNTR.....1	
1		Ref. Platform Control Box <i>(refer to 406.1)</i>		16	21279	BUTTON, .800 O.D. X .281.....3	
				17	97044	MAIN RAIL RIGID, SQ GS32.....2	
				18	97305	CHAIN GATE ASSY, COM GS32.....1 GS-2032	
				--	28443	CABLE TIE,11.5" BLACK	
				--	47188	FOAM,CLOSED CELL 1.75X.250X18"	
				19	T113787	RIVET,ALUM,STL.,188 X .250.....20	
				20	39310	WEAR/GUIDE PAD MAIN PLATFORM.....4	
				21	39474	WEAR PAD,PLATFORM.....2	
				22	84674	MAIN DECK ASSY, GS2032 WORD.....1 <i>(models with word decals)</i>	
				--	47374	TAPE,NON-SKID,DIE CUT,4"X 32".....7	
				22A	84675	MAIN DECK ASSY, GS2032 SYMBOL <i>(models with symbol decals)</i>	
				22B	84676	MAIN DECK ASSY, GS2032 CE SYMB <i>(CE models)</i>	
				22C	84677	MAIN DECK ASSY, GS2632 WORD <i>(models with word decals)</i>	
				22D	84678	MAIN DECK ASSY, GS2632 SYMBOL <i>(models with symbol decals)</i>	



402.1 Platform Components, GS-32  
(continued)

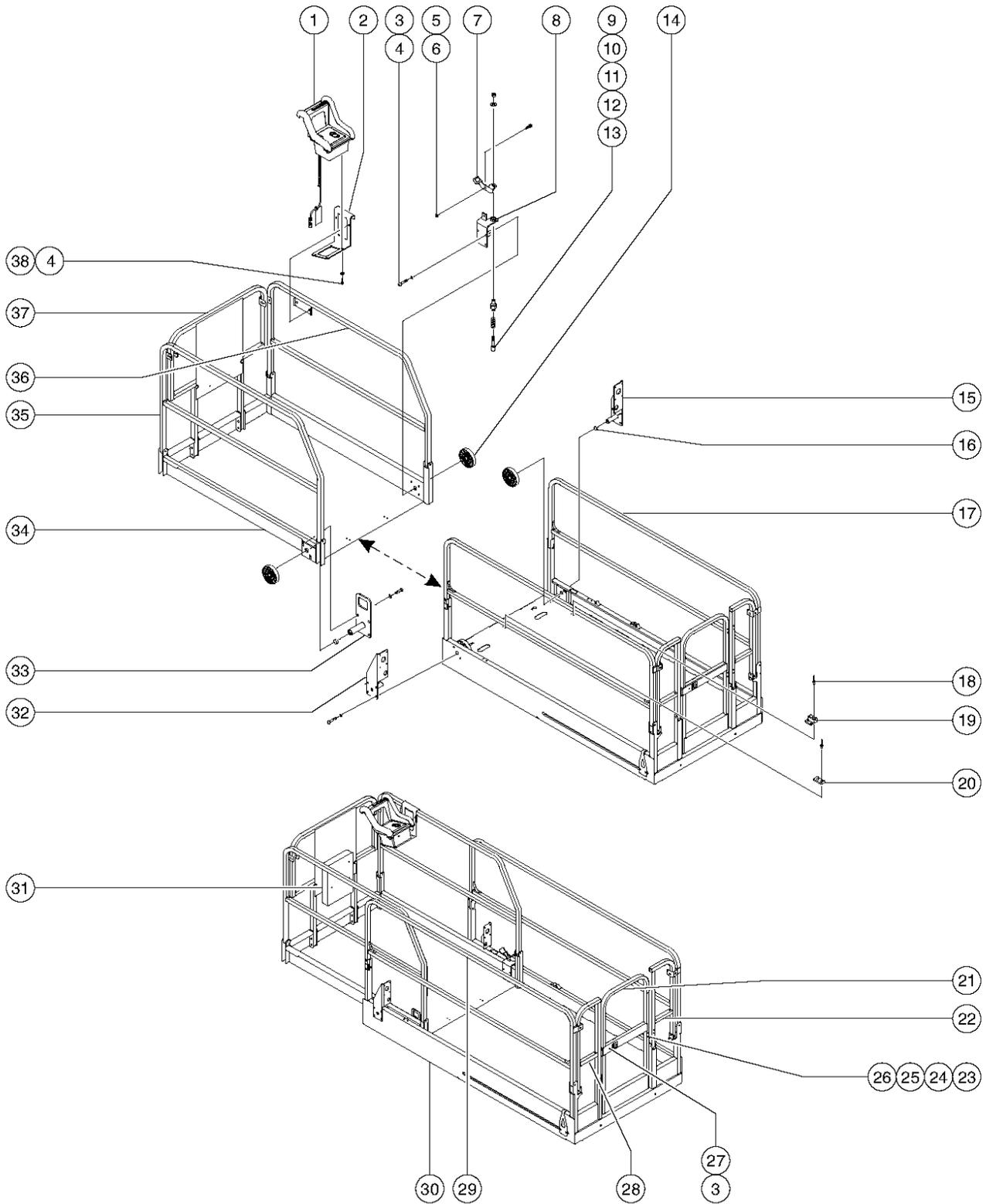
Item	Part No.	Description	Qty.	Item	Part No.	Description	Qty.
22E	84679	MAIN DECK ASSY, GS2632 CE SYMB <i>(CE models)</i>		--	22446	SPRING, COMPRESSION .835 X 2.....1 <i>included in kit 65990-S</i>	
22F	97284	MAIN DECK ASSY, GS2032 AU WORD <i>(Australia models)</i>		--	66544	LATCH HANDLE.....1 <i>included in kit 65990-S</i>	
22G	97285	MAIN DECK ASSY, GS2632 AU WORD <i>(Australia models)</i>		33	105099	WLDT, HALF GATE CATCH, GS32.....1	
23	78038	CAP, TUBE, SQ, 1.25 X .083		34	8178	SCREW, HHC, 3/8-16 X 2.5	
23	84685	MAIN FLDG RAIL ASSY, UPR RT, 32.....1		35	5397	WASHER, FLAT, USS, 5/16", Y	
24	105057	TUBE, ENTRY SWING, GS32.....1		36	78038	CAP, TUBE, SQ, 1.25 X .083	
25	66485	TUBE, VERT, FOLDING.....6		36	84684	MAIN FLDG RAIL ASSY, UPR L, GS32.....1	
26	105004	FORMING, HALF GATE, HINGE.....1		37	78038	CAP, TUBE, SQ, 1.25 X .083	
27	4266	SCREW, HHC, 1/4-20 X 2		37	84683	MAIN FLDG RAIL ASSY, LWR, GS32.....2	
28	6638	WASHER, FLAT, USS, 1/4" Y		38	84680	EXT. DECK ASSY, GS32.....1 <i>(ANSI and CSA models)</i>	
29	104804	HINGE, SPRING, LONG LEG.....2		38	84681	EXT. DECK ASSY, GS32 CE <i>(CE models)</i>	
30	6091	NUT, NYLOCK, 1/4-20		--	39474	WEAR PAD, PLATFORM.....1	
31	4828	NUT, NYLOCK, 3/8-16		--	47231	TAPE, NON-SKID, DIE CUT, 4" X 16".....1	
32A	97110	SWING GATE ASSY, GS30/32** <i>(ANSI, CSA and Australia Models with Word Decals and Models with Symbol Decals except CE)</i>		--	47374	TAPE, NON-SKID, DIE CUT, 4" X 32".....3	
32B	84690	SWING GATE ASSY, GS32, COMPLETE <i>(ANSI, CSA and Australia Models with Word Decals and Models with Symbol Decals except CE)</i>		--	T113787	RIVET, ALUM, STL., 188 X .250.....2 <i>for 39474</i>	
32C	97286	SWING GATE ASSY, GS2032 CE <i>(models with CE symbol decals; CE Models with Symbol Decals)</i>		39	44743	MANUAL BOX W/DECALS*** <i>(ANSI and CSA models)</i>	
32D	97287	SWING GATE ASSY, GS2632 CE IND <i>(models with CE symbol decals; CE Models with Symbol Decals)</i>		39A	24514	BOX, INSTRUCTION STORAGE.....1 <i>(CE models)</i>	
32E	84682	SWING GATE ASSY, GS2032 CESYMB <i>(CE Models with Symbol Decals)</i>		40	105023	WLDMT, LOWER EXT RAIL.....1	
32F	84697	SWING GATE ASSY, GS2632 CE SYM <i>(CE Models with Symbol Decals)</i>		41	144206	ASSY, DECAL PLATE, ANSI/CSA, GS32.....1 <i>(models with word decals)</i>	
32G	65990-S	KIT, GATE LATCH <i>(includes items 3 and 31; ANSI, CSA and Australia Models with Word Decals and Models with Symbol Decals except CE)</i>		41	84590	DECAL PLATE ASSY W/SYM DECALS <i>(models with symbol decals)</i>	
				41A	84690	SWING GATE ASSY, GS32, COMPLETE <i>(models with symbol decals)</i>	
				42	84686	EXT FLDG RAIL ASSY, UPR, 32, WO** .....1 <i>(models with word decals)</i>	
				42A	84687	EXT FLDG RAIL ASSY, UPR, 32, S <i>(models with symbol decals)</i>	
				42B	78038	CAP, TUBE, SQ, 1.25 X .083	



402.1 Platform Components, GS-32  
(continued)

Item	Part No.	Description	Qty.
43	96246	WELDMENT,ROLLER BRACKET,LT*** .....	1
44	84586	LANYARD ROLLER BRKT ASSY W/DEC.....	1
45A	144204	ASSY,EXT. RIGID RAIL,GS32,WORD..... <i>(models with word decals)</i>	1
45B	84689	EXT RIGID RAIL ASSY, GS32 SYMB <i>(models with symbol decals)</i>	
46	8225	MOTOR COVER,PLASTIC-DPL**	
47	96163	LINK, OPEN-END.....	2
48	39509	CHAIN,3/16,OPEN LINK 22.5" .....	1
49	47224	TUBING,PVC,1",BLACK***.21-inches	
50	39510	RIGID EYE SNAP.....	1
51	66030	PIN, WIRE LOCK 3/8 X 2 -1/2	

403.1 Platform Components, GS-46



403.1 Platform Components, GS-46

Item	Part No.	Description	Qty.	Item	Part No.	Description	Qty.
--	84516	PLATFORM ASSY,GS2046,ANSI&CSA <i>(ANSI and CSA Models with Word Decals)</i>		--	47225	TAPE, NON-SKID, DIE CUT, 1.38X1.5	
--	84517	PLATFORM ASSY,GS2646,ANSI&CSA <i>(ANSI and CSA Models with Word Decals)</i>		8	96413	WLDMT, LOCKING ROLLER SUPPORT.....	1
--	84518	PLATFORM ASSY,GS3246,ANSI&CSA <i>(ANSI and CSA Models with Word Decals)</i>		9	39470	PIN, LOCK.....	1
--	84519	PLATFORM ASSY,GS2046,AUS <i>(Australia Models with Word Decals)</i>		10	39469	SPRING, COMPRESSION.485 X1.75**.....	1
--	84520	PLATFORM ASSY,GS2646,AUS <i>(Australia Models with Word Decals)</i>		11	41630	HOUSING, LOCK PIN.....	1
--	84521	PLATFORM ASSY,GS3246,AUS <i>(Australia Models with Word Decals)</i>		12	6097	WASHER, FLAT, USS, 3/8", Y	
--	84522	PLATFORM ASSY,GS2046,ANSI SYM <i>(Models with Symbol Decals except CE)</i>		13	7713	NUT, LP NYLOCK, 3/8-16	
--	84523	PLATFORM ASSY,GS2646,ANSI SYM <i>(Models with Symbol Decals except CE)</i>		14	47163	ROLLER, PLATFORM EXTENSION.....	4
--	84524	PLATFORM ASSY,GS3246,ANSI SYM <i>(Models with Symbol Decals except CE)</i>		15	84587	ROLLER BRACKET ASSY, GRND CNTR.....	1
--	84567	PLATFORM ASSY,GS2046,CE SYM <i>(CE Models with Symbol Decals)</i>		16	21279	BUTTON, .800 O.D. X .281.....	3
--	84568	PLATFORM ASSY,GS2646,CE SYM <i>(CE Models with Symbol Decals)</i>		17	82052	RAIL-GS46 PLAT, MAINDECK.....	1
--	84569	PLATFORM ASSY,GS3246,CE SYM <i>(CE Models with Symbol Decals)</i>		18	T113787	RIVET, ALUM, STL, .188 X .250.....	20
1		Ref. Platform Control Box <i>(refer to 406.1)</i>		19	39310	WEAR/GUIDE PAD MAIN PLATFORM.....	4
2		Ref. Platform Control Box Mount Bracket <i>(refer to 406.1)</i>		20	39474	WEAR PAD, PLATFORM.....	3
3	5224	SCREW, HHC, 3/8-16 X 2		21A	97242	SWING GATE ASSY, GS46 WELD <i>(ANSI, CSA and Australia models with word decals and models with symbol decals except CE)</i>	
4	6021	WASHER, LOCK, .375		21B	97281	SWING GATE ASSY, GS2046, CE SYM <i>(CE Models with Symbol Decals)</i>	
5	6002	NUT, LP NYLOCK, 5/16-18		--	97262	SWING GATE ASSY, GS2046, CE SYMB <i>(complete assembly) (CE Models with Symbol Decals)</i>	
6	47227	SCREW, SHS, 5/16-18 X .25		21C	97282	SWING GATE ASSY, GS2646, CE SYM <i>(CE Models with Symbol Decals)</i>	
7	46260	FOOTPEDAL W/NON-SKID TAPE, GS.....	1	--	97273	SWING GATE ASSY, GS2646 CE SYMB <i>(complete assembly) (CE Models with Symbol Decals)</i>	
				21D	97283	SWING GATE ASSY, GS3246, CE SYM <i>(CE Models with Symbol Decals)</i>	
				--	97274	SWING GATE ASSY, 3246 CE SYMB <i>(complete assembly) (CE Models with Symbol Decals)</i>	

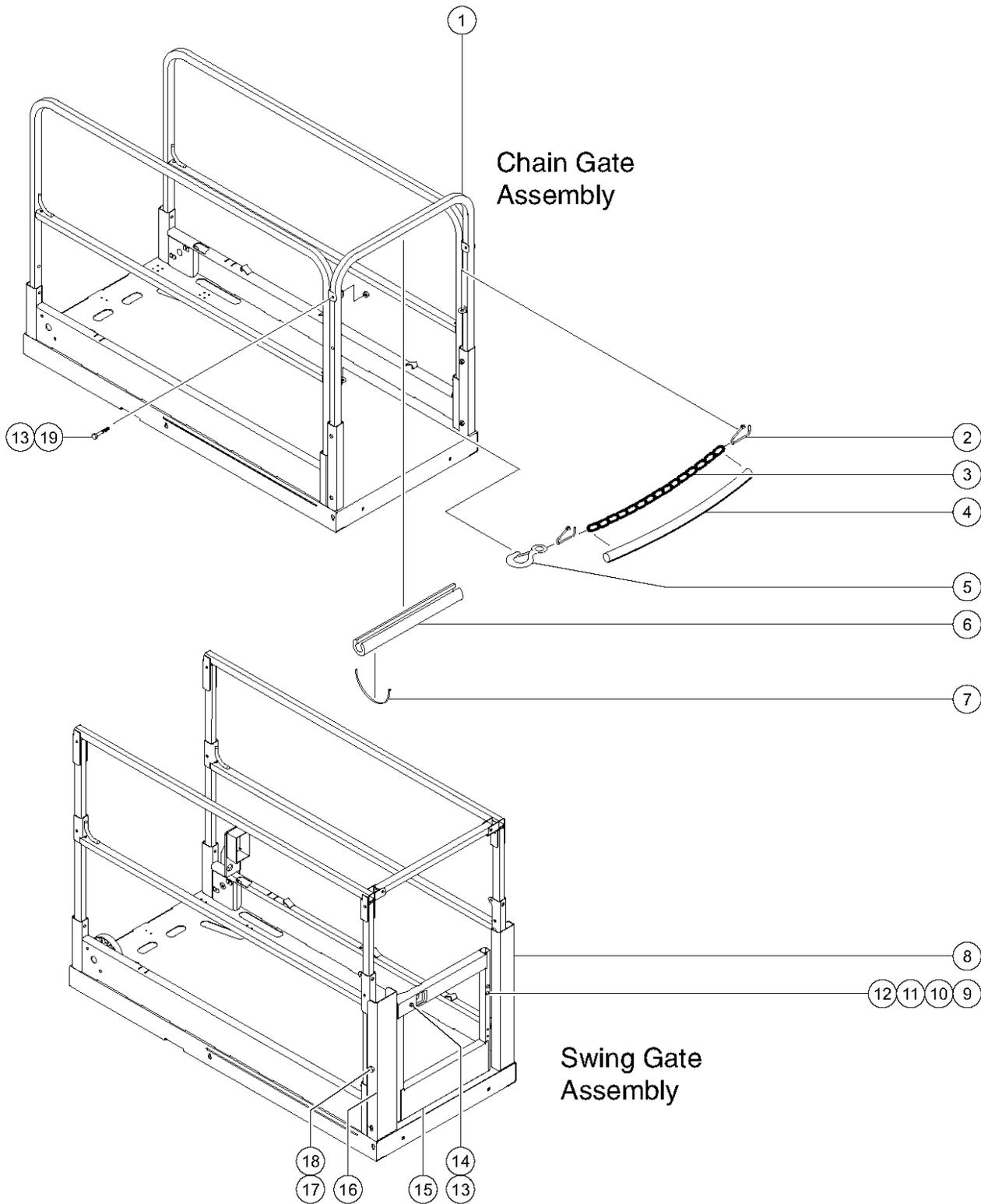


403.1 Platform Components, GS-46  
(continued)

Item	Part No.	Description	Qty.	Item	Part No.	Description	Qty.
21E	65990-S	KIT,GATE LATCH (CE Models with symbol decals) (includes items 3 and 27)		32	96246	WELDMENT,ROLLER BRACKET,LT*** .....	1
--	22446	SPRING,COMPRESSION .835 X 2.....1 included in kit 65990-S	1	33	84586	LANYARD ROLLER BRKT ASSY W/DEC.....	1
--	66544	LATCH HANDLE.....1 included in kit 65990-S	1	34	97258	EXT. DECK ASSY, GS46.....	1
22	66923	WLDMT, ENTRY SIDERAIL, RT.....1 (ground controls side)	1	--	39474	WEAR PAD,PLATFORM.....	2
22	78038	CAP, TUBE, SQ,1.25 X .083		--	47374	TAPE,NON-SKID,DIE CUT,4"X 32" .....	7
23	4266	SCREW,HHC,1/4-20 X 2		--	T113787	RIVET,ALUM,STL,.188 X .250.....4 for 39474	4
24	6638	WASHER,FLAT,USS,1/4"Y		35	97263	LEFT EX. RAIL, GS46.....1 (battery pack side)	1
25	104804	HINGE, SPRING, LONG LEG.....2	2	36	97265	RIGHT EXT. RAIL, GS46 (WORD).....1 (models with word decals)	1
26	6091	NUT,NYLOCK,1/4-20		36A	97264	RIGHT EXT RAIL, GS46 (models with symbol decals) (ground controls side)	
27	4828	NUT,NYLOCK,3/8-16		37	97259	EXT. ENDRAIL ASSY, GS46 (WORD).....1 (models with word decals)	1
28	66920	WLDMT, ENTRY SIDERAIL, LT.....1 (battery pack side)	1	37A	97260	EXT. ENDRAIL ASSY, GS46 (SYMB) (models with symbol decals)	
28	78038	CAP, TUBE, SQ,1.25 X .083		38	8255	SCREW,HHC,3/8-16 X .75	
29	82053	RAIL- GS46 PLAT, MAINDECK.....1 (battery pack side)	1				
30	97249	MAIN DECK ASSY, 2046 (WORD).....1 (models with word decals)	1				
30A	97250	MAIN DECK ASSY, 2046 (SYMBOL) (models with symbol decals)					
30B	97251	MAIN DECK ASSY, 2046, CE (CE models)					
30C	97252	MAIN DECK ASSY, 2646 (WORD) (models with word decals)					
30D	97253	MAIN DECK ASSY, 2646 (SYMBOL) (models with symbol decals)					
30E	97254	MAIN DECK ASSY, 2646, CE (CE models)					
30F	97255	MAIN DECK ASSY, 3246 (WORD) (models with word decals)					
30G	97256	MAIN DECK ASSY, 3246 (SYMBOL) (models with symbol decals)					
30H	97257	MAIN DECK ASSY, 3246, CE (CE models)					
--	47374	TAPE,NON-SKID,DIE CUT,4"X 32"					
31	44743	MANUAL BOX W/DECALS*** (ANSI and CSA models)					
31A	24514	BOX,INSTRUCTION STORAGE.....1 (CE models)	1				

*This Page Intentionally Left Blank*

404.1 Platform Gates, GS-30

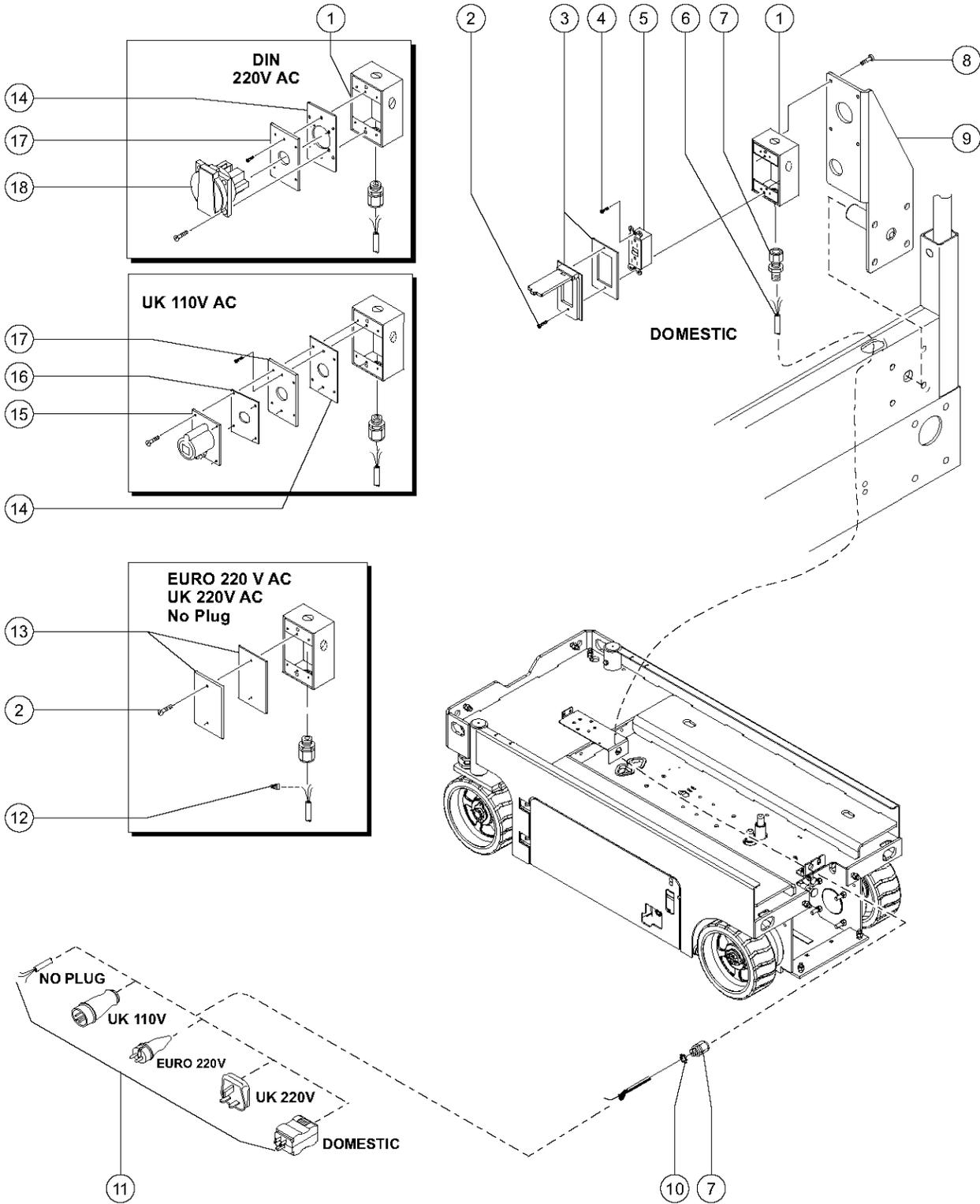


404.1 Platform Gates, GS-30

Item	Part No.	Description	Qty.	Item	Part No.	Description	Qty.
--	97275	SWING GATE KIT,GS30 <i>(ANSI, CSA and Australia models)</i>		--	22446	SPRING,COMPRESSION .835 X 2.....1 <i>included in kit 65990-S</i>	1
--	97276	SWING GATE KIT,1532 CE <i>(CE models)</i>		--	4828	NUT,NYLOCK,3/8-16.....1 <i>included in kit 65990-S</i>	1
--	97277	SWING GATE KIT,1932 CE <i>(CE models)</i>		--	5224	SCREW,HHC,3/8-16 X 2.....1 <i>included in kit 65990-S</i>	1
--	97278	SWING GATE KIT,1530 CE INDOORS <i>(CE Indoor models)</i>		--	66544	LATCH HANDLE.....1 <i>included in kit 65990-S</i>	1
--	97279	SWING GATE KIT,1930 CE INDOORS <i>(CE Indoor models)</i>		16	66903-S	WLDMT, FORMING, HALFGATE CATCH.....1 <i>(CE Models with Symbol Decals)</i>	1
--	97280	CHAIN GATE KIT,GS30 <i>(ANSI and CSA models)</i>		17	8178	SCREW,HHC,3/8-16 X 2.5 <i>(CE Models with Symbol Decals)</i>	
1	97105	PLAT ENTRY ASSY,RIGID GS30.....1	1	18	5397	WASHER,FLAT,USS,5/16",Y <i>(CE Models with Symbol Decals)</i>	
2	96163	LINK, OPEN-END.....2	2	19	7713	NUT,LP NYLOCK,3/8-16 <i>(CE Models with Symbol Decals)</i>	
3	39509	CHAIN,3/16,OPEN LINK 22.5".....1	1				
4	47224	TUBING,PVC,1",BLACK***					
5	39510	RIGID EYE SNAP.....1	1				
6	47188	FOAM,CLOSED CELL 1.75X.250X18".....1	1				
7	28443	CABLE TIE,11.5" BLACK					
8	66883	FORMING, HALF GATE HINGE.....1	1				
9	4266	SCREW,HHC,1/4-20 X 2					
10	6638	WASHER,FLAT,USS,1/4"Y					
11	6091	NUT,NYLOCK,1/4-20					
12	104804	HINGE, SPRING, LONG LEG.....2	2				
13	5224	SCREW,HHC,3/8-16 X 2					
14	4828	NUT,NYLOCK,3/8-16					
15A	97110	SWING GATE ASSY,GS30/32** <i>(ANSI, CSA and Australia models with word decals and models with symbol decals except CE)</i>					
15B	97111	SWING GATE ASSY,1532 CE <i>(CE Models with symbol decals)</i>					
15C	97288	SWING GATE ASSY,1530 CE INDOOR <i>(CE Models with Symbol Decals)</i>					
15D	97112	SWING GATE ASSY,1932 CE <i>(CE Models with Symbol Decals)</i>					
15E	97289	SWING GATE ASSY,1930 CE INDOOR <i>(CE Models with Symbol Decals)</i>					
15F	65990-S	KIT,GATE LATCH <i>(all models)</i>					



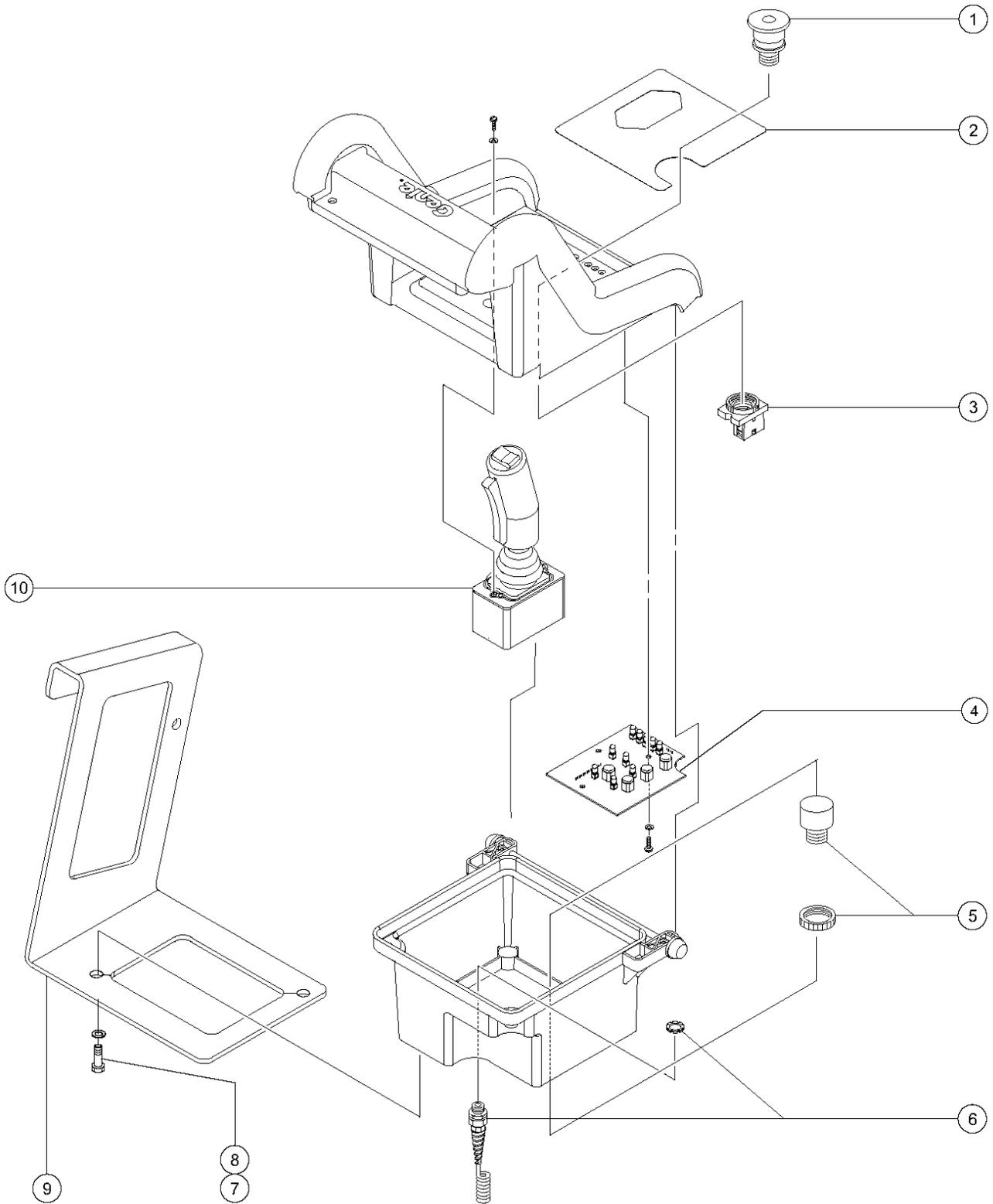
405.1 Power to Platform



405.1 Power to Platform

Item	Part No.	Description	Qty.	Item	Part No.	Description	Qty.
--	33724	KIT,GASKET,UK POWER TO PLAT. <i>(includes one each item 14 and 16)</i>		15	T112563	SVC KIT,UK RECEPT.REPLACEMENT.....	1
1	10775	T-BOX,2.75 X 4.5 X 2.0.....	1	16	66356	GASKET, UK RECEPTACLE.....	1
2	7127	SCREW,PHILLIPS,PHM,6-32 X .75				<i>2.9 x 2.9 inches</i>	
3	45437	COVER,GFCI,WEATHERPROOF.... <i>(ANSI and CSA models) (includes gasket and mounting fasteners)</i>	1	17	96236	PLATE,AC ADAPTER,DIN/UK***	1
4	45546	SCREW,RHM,6-32 X .5		18	66353	RECEPTACLE, DIN, 220V 50A.....	1
5	13585	OUTLET,110V GFCI***..... <i>(ANSI and CSA models)</i>	1				
6A	43956	WIRE CABLE,14/3 CON.TPE JKT*..... <i>GS-1530, GS-1532</i>	228-inches				
6B	43956	WIRE CABLE,14/3 CON.TPE JKT*..... <i>GS-1930, GS-1932</i>	288-inches				
6C	43956	WIRE CABLE,14/3 CON.TPE JKT*..... <i>GS-2032, GS-2046</i>	456-inches				
6D	43956	WIRE CABLE,14/3 CON.TPE JKT*..... <i>GS-2632, GS-2646</i>	516-inches				
6E	43956	WIRE CABLE,14/3 CON.TPE JKT*..... <i>GS-3232, GS-3246</i>	624-inches				
7	7056	CONN,SQUEEZE,1/2NPT .38-.50,SM.....	1				
8	57075	SCREW,PHIL,8-32X.50,SELF TAP					
9		Ref. Roller Bracket <i>(refer to 401.1 through 403.1)</i>					
10	6935	LOCKNUT,ELEC,1/2".....	1				
11	6595	PLUG,ELECTRICAL,DOMESTIC.....	1				
11A	144161	PLUG,PWR,UK,16AMP,3PIN,BLK					
11B	6666	PLUG,ELECTRICAL,220/50,NOVON					
11C	25388	PLUG,FUSED,250V,13AMP,U.K.**					
11D		FUSE,13 AMP,220V PLUG <i>(component no longer available) refer to BS1362 BUSS TDC180-13A</i>					
11E		Ref. No Plug (consult factory)					
12	6626	WIRE CAP,ORANGE.....	1				
13	10777	COVER,BLANK.....	1				
14	66355	GASKET, UK & DIN PWR. TO PLAT..... <i>4.6 x 2.9 inches</i>	1				

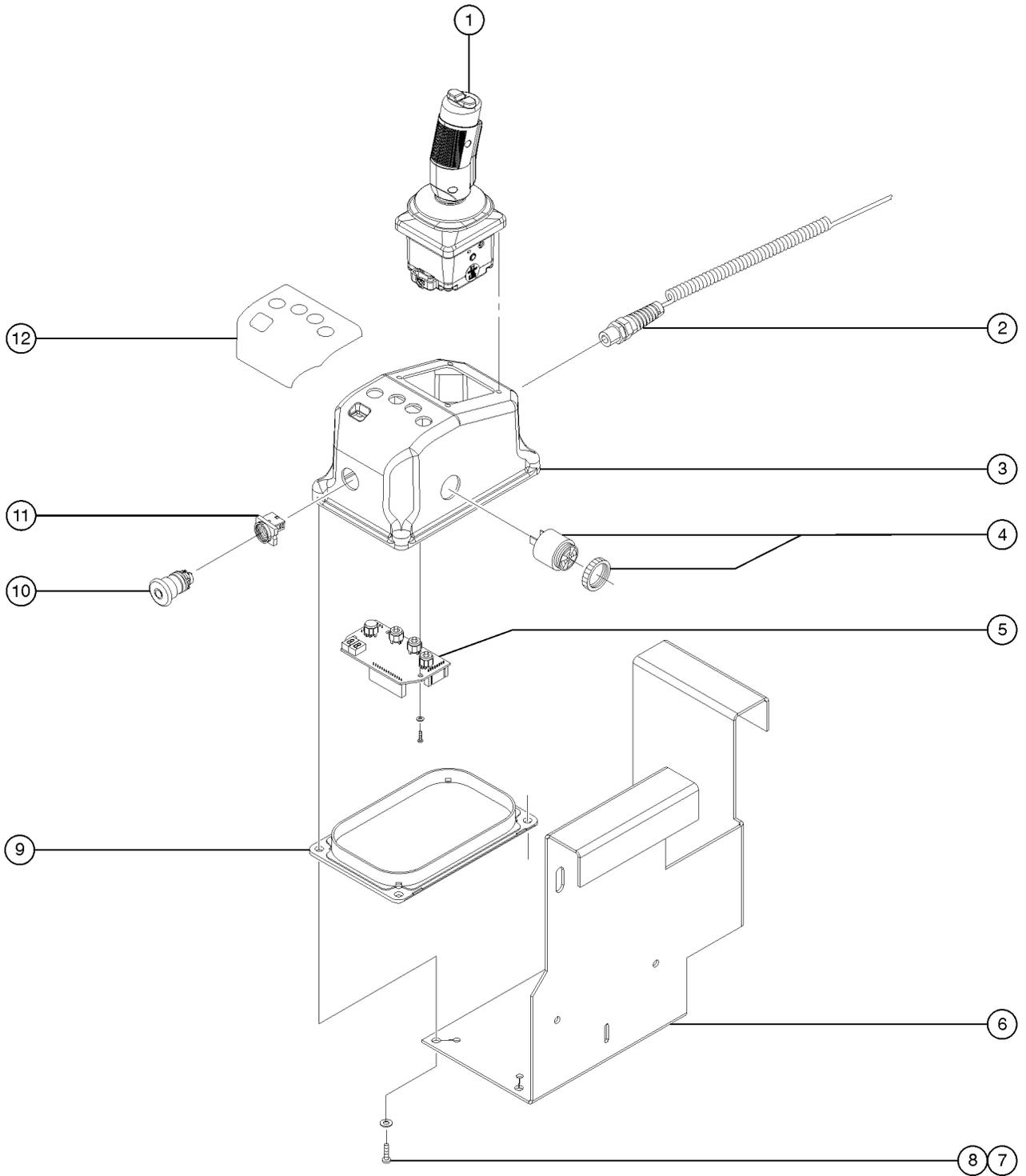
406.1 Platform Control Box, All Models (from SN 60000 to 74999)



## 406.1 Platform Control Box, All Models (from SN 60000 to 74999)

Item	Part No.	Description	Qty.
--	96420	PLAT CONTRL,G4,DEC,PCB,MINI <i>(complete)</i>	
1	66812	BUTTON,PUSH,RED MUSHROOM HEAD.....	1
2		Ref. DECAL,JOYSTICK CONTROLLER.....	1
		<i>(refer to Section 1)</i>	
3	66817	BASE WITH 1 NC CONTACT, E-STOP.....	1
--	66818	CONTACT,NC	
4	78904	PC BOARD,SLAB,GEN 4.....	1
5	51860	ALARM ASSY.12VDC,ITT.....	1
		<i>Does not include 72326 nut</i>	
--	72326	NUT - PLASTIC,RING FOR ALARMS	
6	144065	KIT,GEN 5 COIL CORD.....	1
		<i>(kit, includes connector, coil cord, instructions, dielectric grease and cable tie; see below)</i>	
7	8255	SCREW,HHC,3/8-16 X .75	
8	6021	WASHER,LOCK,.375	
9	66685	BRACKET,PLAT CONTROL BOX SLAB.....	1
		<i>GS-30 (to SN 61513)</i>	
9A	96668	FORMING,PLAT CONTR MOUNT GS-30, from SN 61513; GS-32, GS-46 <i>(shown)</i>	
10		Ref. Joystick Controller <i>(refer to 407.1)</i>	

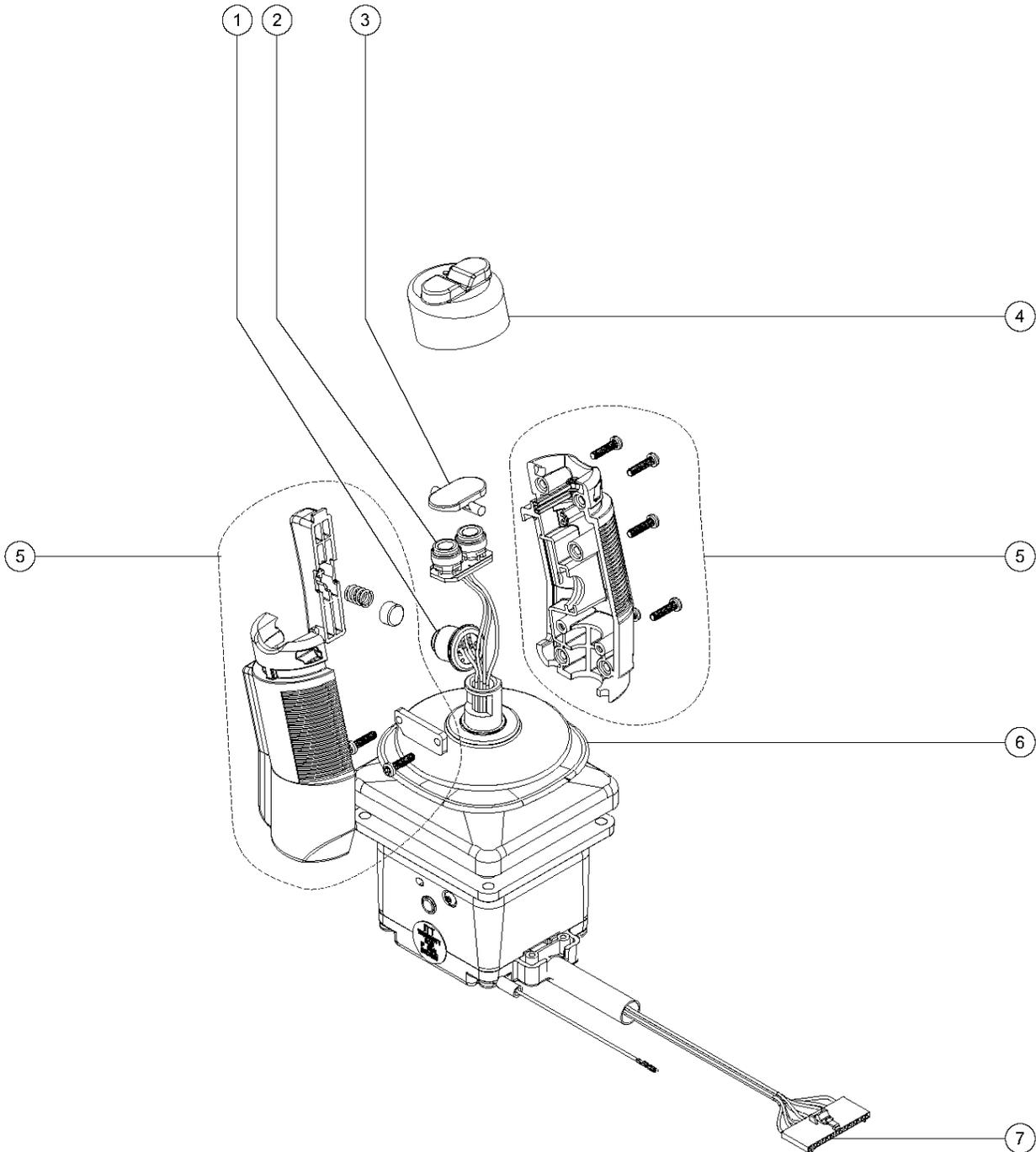
406.2 Platform Control Box, All Models (from SN 75000 to 75999)



## 406.2 Platform Control Box, All Models (from SN 75000 to 75999)

Item	Part No.	Description	Qty.
--	100840	PLATFORM CONTROL BOX GEN 5 <i>(does not include item 6)</i>	
1		Ref. Joystick Controller <i>(refer to 407.1)</i>	
2	144065	KIT,GEN 5 COIL CORD.....1 <i>(kit, includes connector, coil cord, instructions, dielectric grease and cable tie; see below)</i>	
3	100998	ENCLOSURE GEN 5.....1	
4	51860	ALARM ASSY.12VDC,ITT.....1 <i>Does not include 72326 nut</i>	
--	72326	NUT - PLASTIC,RING FOR ALARMS	
5	109503	PLAT CONTROL CIRCT BRD ASSY G5.....1	
--	105662	CLEAR SWITCH ACTUATOR	
--	T108044	CLEAR SWITCH ACTUATOR(QTY 10)	
6	105990	FORMING,PLATFORM CONTROL BOX.....1	
7	7339	SCREW,HHC,1/4-20 X .5.....1	
8	6356	WASHER,LOCK,.25	
9	100999	COVER BOTTOM GEN 5	
10	66812	BUTTON,PUSH,RED MUSHROOM HEAD.....1	
11	66817	BASE WITH 1 NC CONTACT, E-STOP.....1	
--	66818	CONTACT,NC	
12		Ref. Platform Control Panel Decal <i>(refer to 101.1, 102.1, 103.1, 104.1, 105.1 and 106.1)</i>	

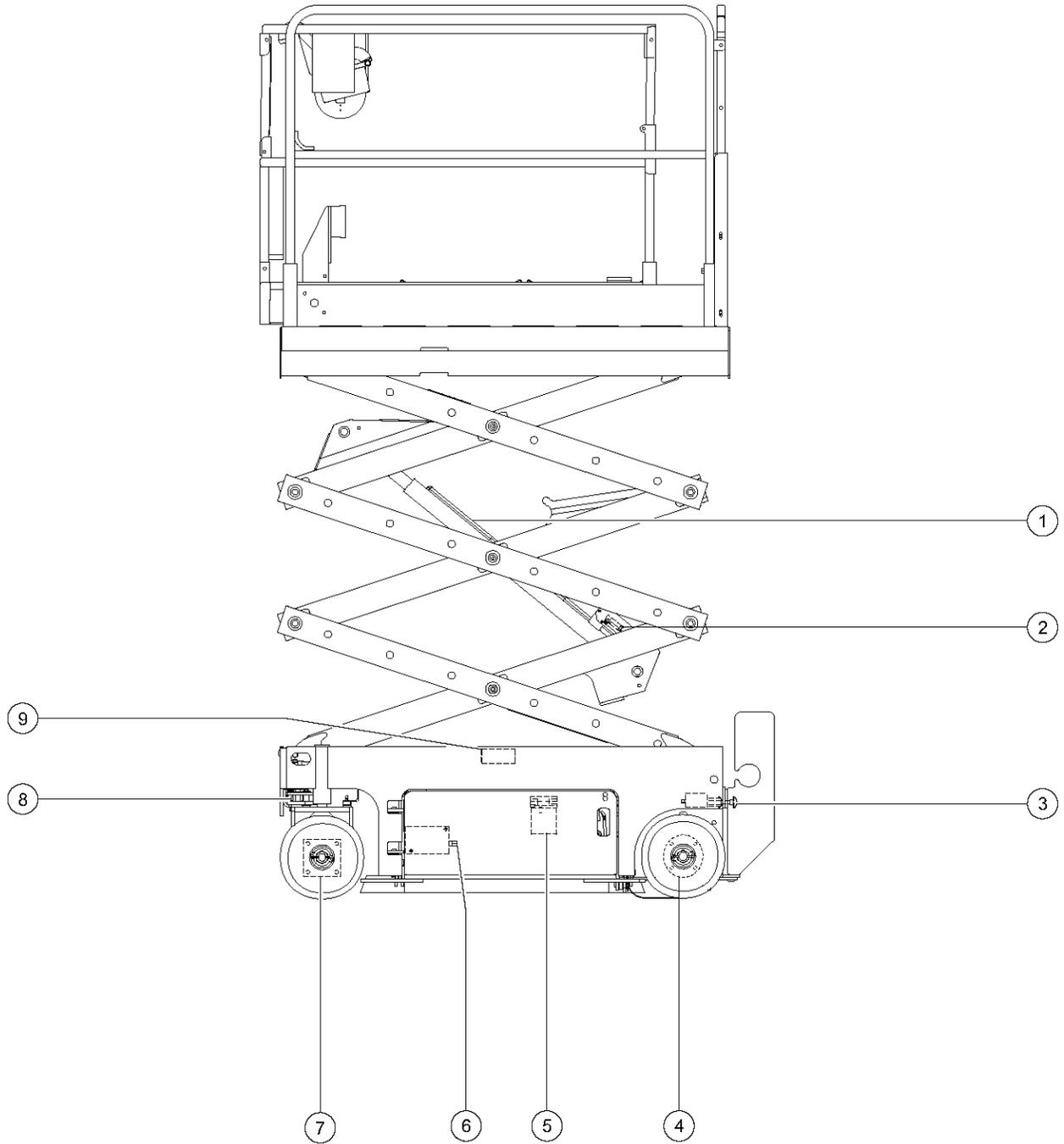
407.1 Joystick Controller



407.1 Joystick Controller

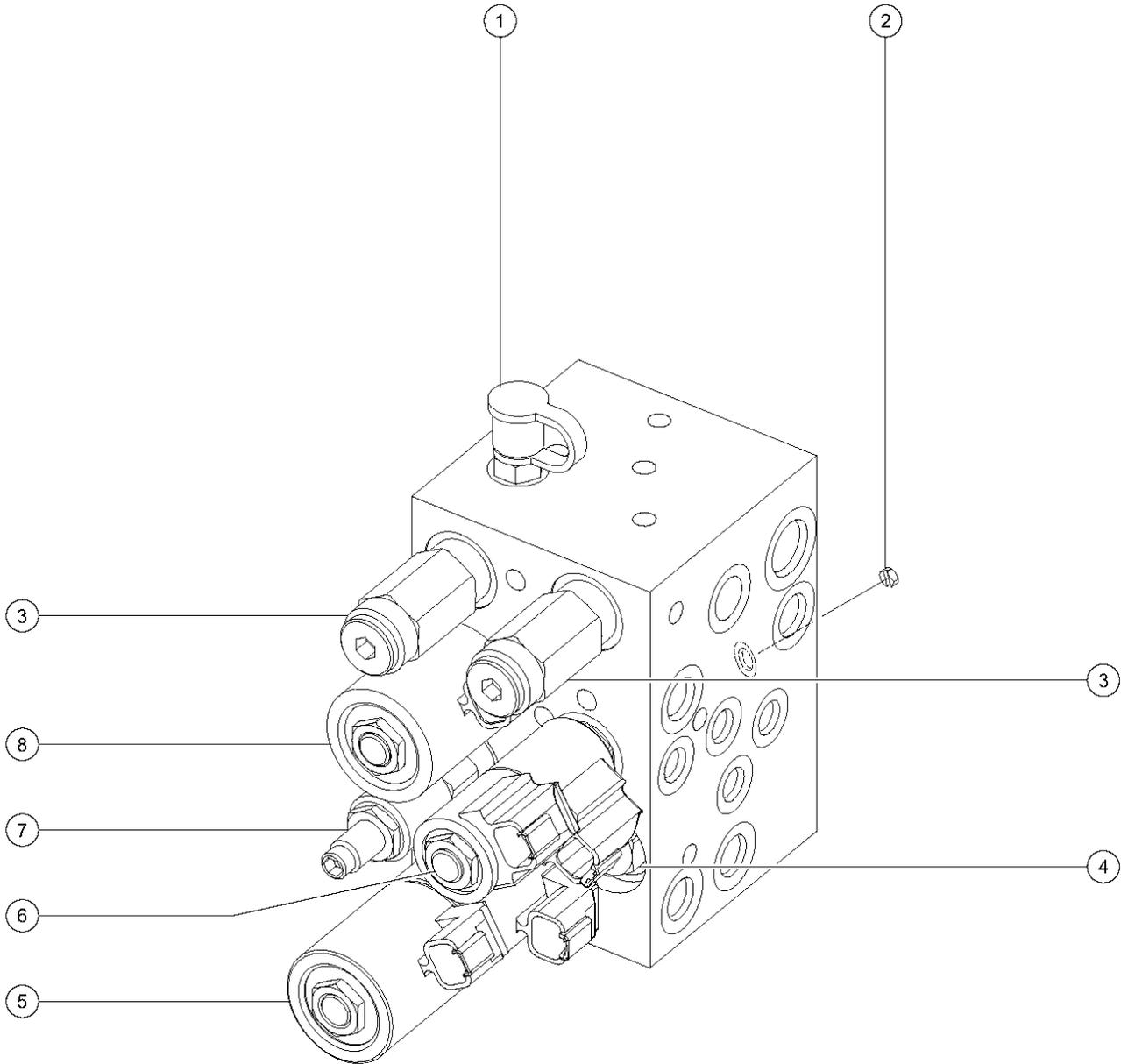
Item	Part No.	Description	Qty.
--	78903	JOYSTICK,SINGL AXIS,HALL,SLAB* <i>OEM joystick</i>	
--	78903H	JOYSTICK,SINGL AXIS,HALL,SLAB <i>aftermarket joystick</i>	
1	105171	KIT,JOYSTICK ENABLE SWITCH....1	
2	105115	KIT,JOYSTICK STEER SWITCH.....1	
3	105109	TURN SWITCH ACTUATOR,JOYSTICK** .....1	
4	97015	BOOT,THUMB ROCKER*** .....1	
5	97014	JOYSTICK HANDLE SET, COMPLETE.....1	
6	97013	BOOT, JOYSTICK~.....1	
7	105172	KIT, PLATFORM PC RECEPT/SOC.....1	

501.1 Hydraulic Components



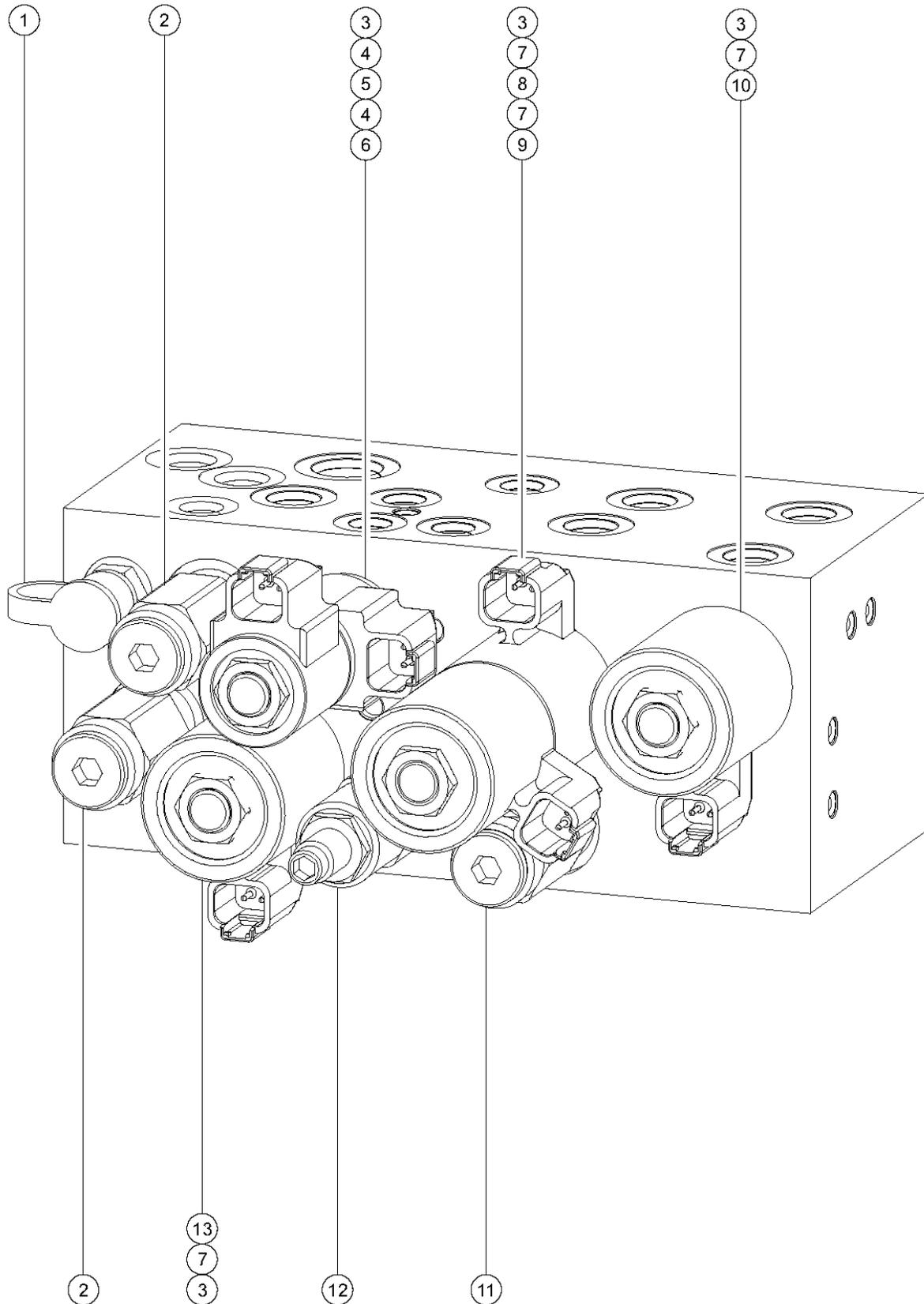
Item	Part No.	Description	Qty.
1		Ref. Lift Cylinder Assembly <i>(refer to 506.1)</i>	
2		Ref. Adjustable Pressure Switch <i>(refer to 701.1 or 702.1)</i>	
3		Ref. Brake Release Hand Pump Manifold <i>(refer to 504.1)</i>	
4	96257	BRAKE, HYDRAULIC*** .....	2
5	78622	FILTER ASSY, SAE8, 10 MIC, PAPR** .....	1
--	44207	FILTER ELEMENT, BETA(10)=200 <i>(fiberglass, optional)</i>	
--	44788	FILTER ELEMENT, 10 MICRON, PAPER* <i>(paper, standard)</i>	
6		Ref. Function Manifold <i>(refer to 502.1 or 503.1)</i>	
7	96388	MOTOR, HYDRAULIC, 530, 14.0 CU. IN*.2 GS-30	
--	96419	SEAL KIT, RC SERIES DR MOTOR***	
7A	96417	DRIVE MOTOR, 18.3 CU. IN/REV GS-32, GS-46	
--	96419	SEAL KIT, RC SERIES DR MOTOR***	
8	105547	CYLINDER, GS/GR STEER*** .....	1
		<i>(old cylinder, 96077, is replaced by 105547. 105547 is backwards compatible, the seal kits are not; refer to date/lot codes listed below)</i>	
--	105553	KIT, STEER CYL SEAL, 040271P, HDM <i>(for code H408147 and up)</i>	
--	105554	KIT, STEER CYL SEAL, 040499P, HDM <i>(for code H41109 and up)</i>	
--	105555	KIT, STEER CYL SEAL, 040505P, HDM <i>(for codes H41205, H41255, and H501111 and up)</i>	
--	84387	SEAL KIT, STEER CYLINDER(96077) <i>(for obsolete cylinder, 96077)</i>	
9	78422	ACCUMULATOR, 180 PSI PRECHARGE* .....	1

502.1 Function Manifold, GS-30



Item	Part No.	Description	Qty.
--	105063	SERVICE KIT,FUNCTION MANIFOLD <i>(to SN 64517) (manifold, complete)</i>	
--	105462	KIT,DYN.BRAKING MANIF,MINI <i>(from SN 64518) (manifold, complete)</i>	
--	49612	O-RING KIT (ORFS FITTINGS)	
--	49613	PLUG AND CAP KIT-SERVICE,ORFS*	
1	48997	NIPPLE,DIAGNOSTIC,#4 PORT***.....1	1
--	20224	DIAGNOSTIC FEMALE Q-DSCNT <i>(pressure gauge not included)</i>	
--	48880	CAP,DIAGNOSTIC NIPPLE	
2	84386	CHECK DISK, NO SPRING.....1	1
3	65962	VALVE-RELIEF, 3700 PSI #8**.....2	2
--	44226	SEAL KIT-FOR P.N.44167	
4	46216	VALVE,CHECK,IWP-S/CWP PWR ASSI.....1	1
--	44227	SEAL KIT, VALVE	
5	105457	KIT,DYN BRAKING VALVE,MINI.....1	1
--	44174	NUT-COIL SHORT	
--	44230	SEAL KIT-P.N.44169,44172,44171	
--	84385	COIL,20VDC DEUTCSH W/DIODE.....2 <i>(sold separately)</i>	2
6	44168	VALVE,SOLENOID,3POS 4WAY.....1	1
--	44174	NUT-COIL SHORT	
--	44229	SEAL KIT, VALVE	
--	77709	COIL,#8 20VDC,DEUTSCH W/DIOD.....2 <i>(sold separately)</i>	2
7	84384	PRTY,FLOW CNTRL VALVE,.75 GPM.....1	1
8	44169	VALVE-SOLENOID, 2POS 4 WAY.....1	1
--	44174	NUT-COIL SHORT	
--	44230	SEAL KIT-P.N.44169,44172,44171	
--	84385	COIL,20VDC DEUTCSH W/DIODE.....1 <i>(sold separately)</i>	1

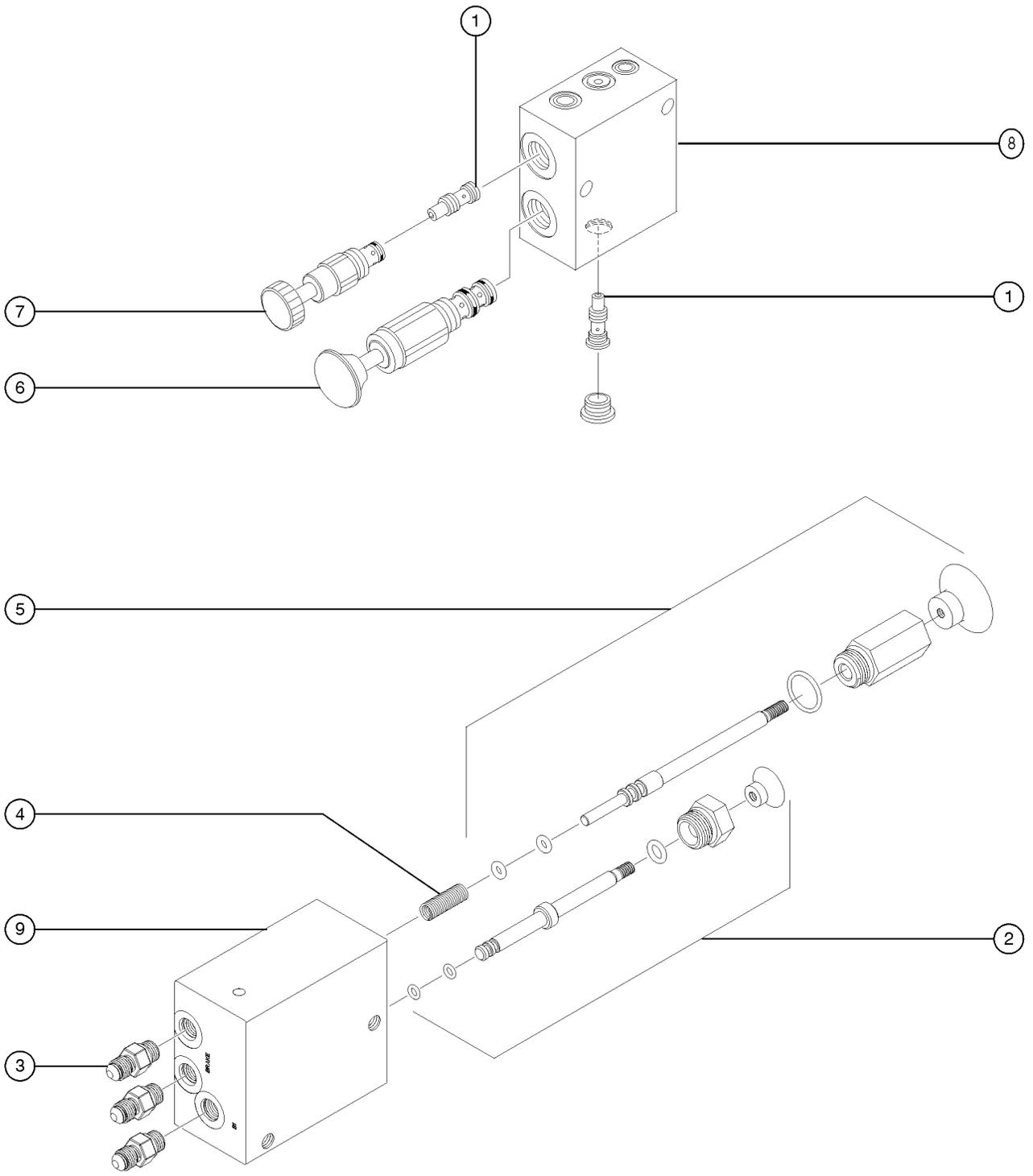
503.1 Function Manifold, GS-32, GS-46



## 503.1 Function Manifold, GS-32, GS-46

Item	Part No.	Description	Qty.
--	105463	126,DYN.BRAKING,MANIF,32/46	
--	49612	O-RING KIT (ORFS FITTINGS)	
--	49613	PLUG AND CAP KIT-SERVICE,ORFS*	
1	48997	NIPPLE,DIAGNOSTIC,#4 PORT***.....1	1
--	20224	DIAGNOSTIC FEMALE Q-DSCNT	
--	48880	CAP,DIAGNOSTIC NIPPLE	
2	65962	VALVE-RELIEF, 3700 PSI #8**.....2	2
--	44226	SEAL KIT-FOR P.N.44167	
3	44174	NUT-COIL SHORT.....4	4
4	77709	COIL,#8 20VDC,DEUTSCH W/DIOD.....2	2
5	44236	SPACER-DUAL COIL,#8***.....2	2
6	44168	VALVE,SOLENOID,3POS 4WAY.....1	1
--	44229	SEAL KIT, VALVE	
7	84385	COIL,20VDC DEUTCSH W/DIODE.....4	4
8	44175	SPACER-DUAL COIL,#10, SCISSORS.....1	1
9	105458	KIT,DYN BRAKING VALVE,32/46.....1	1
--	84514	SEAL KIT (84515 & 150104)	
10	44171	VALVE-SOLENOID,2POS 4WAY**.....1	1
--	44230	SEAL KIT-P.N.44169,44172,44171	
11	65963	VALVE-RELIEF, DIFF, 130 PSI.....1	1
12	84384	PRTY,FLOW CNTRL VALVE,.75 GPM.....1	1
--	44230	SEAL KIT-P.N.44169,44172,44171	
13	44169	VALVE-SOLENOID, 2POS 4 WAY.....1	1
--	44230	SEAL KIT-P.N.44169,44172,44171	

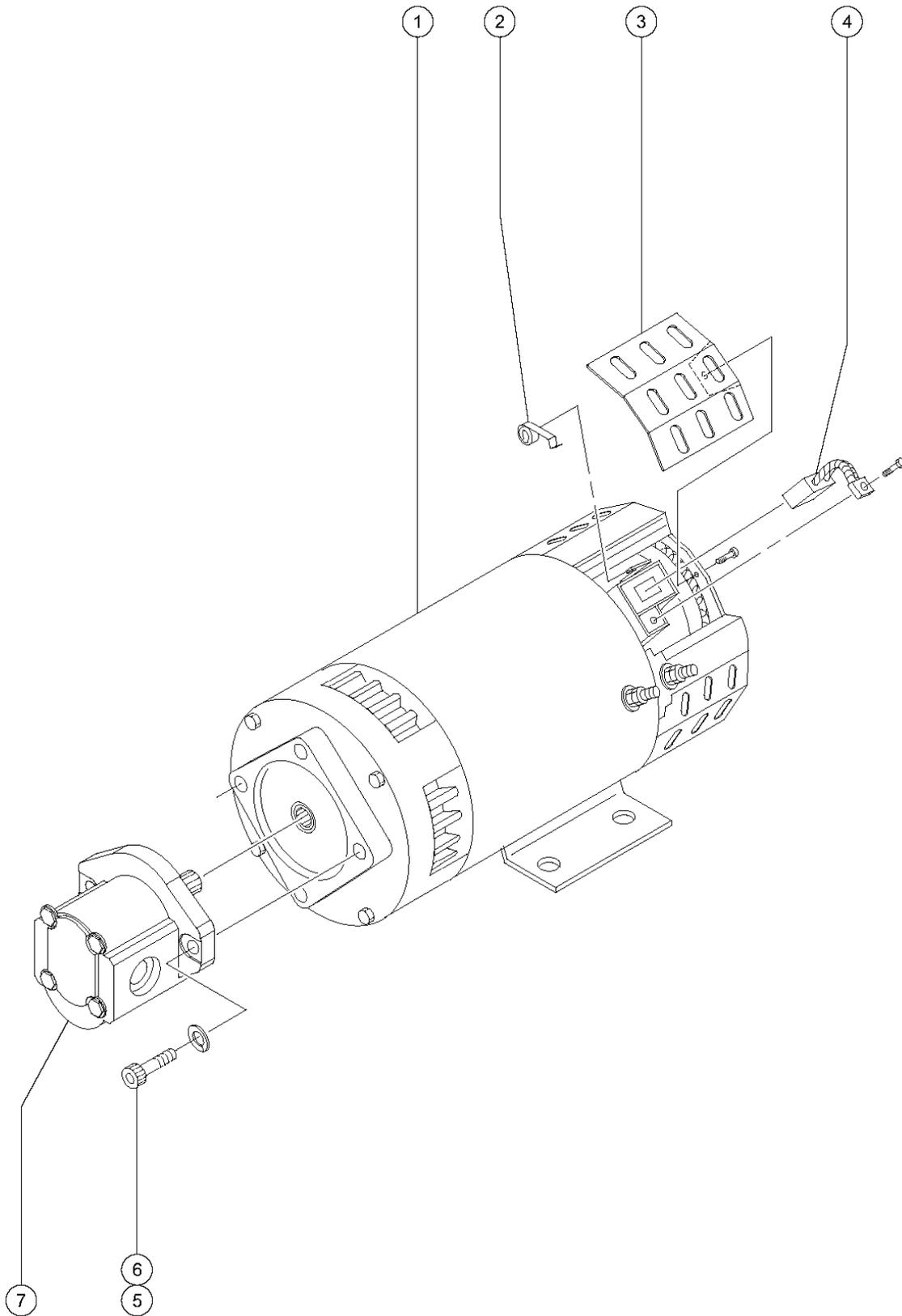
504.1 Brake Release Hand Pump Manifold



504.1 Brake Release Hand Pump Manifold

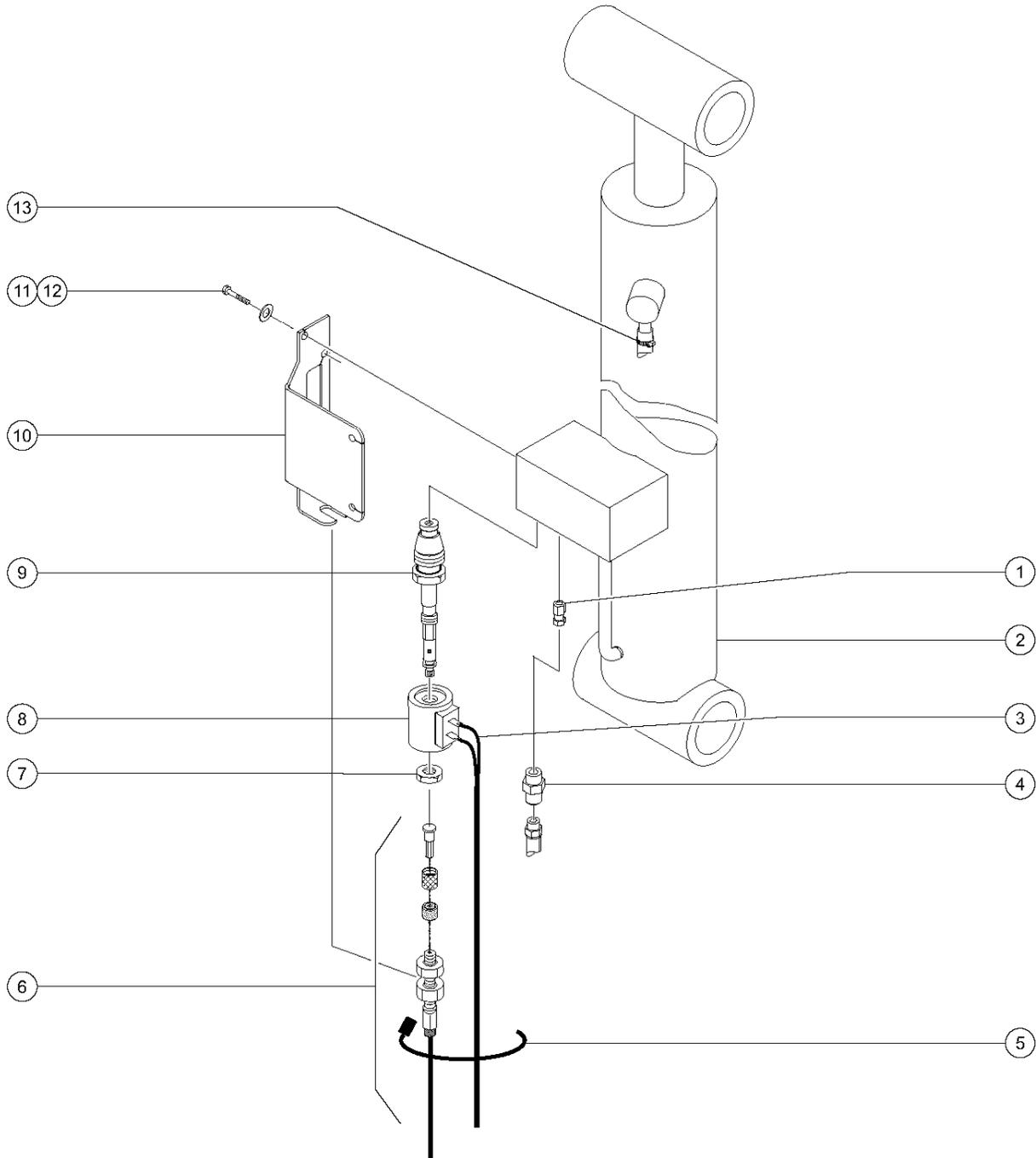
Item	Part No.	Description	Qty.
--	84539	NEEDLE/HOUSING ASSY W/KNOB*** <i>(includes items 7 and 8)</i>	
--	96461	SERVICE KIT,BRAKE RELEASE MAN* <i>(includes items 9, decals, instructions &amp; miscellaneous hardware)</i>	
1	84391	VALVE-CHECK,PILOT OPER,2003MIN.....2	
--	84394	SEAL KIT,PO CHECK VALVE(84391)	
2	84743	VALVE,PILOT OPERATED ASSEMBLY* <i>(84744 was replaced by 84743 assembly)</i>	
--	84740	SEAL KIT,HAND PUMP***	
--	84746	KNOB,PILOT OP VALVE (BLACK)***	
3	39877	CONNECTOR,070120-4-4.....3	
4	84748	SPRING,HAND PUMP ROD.....1	
5	84739	VALVE,HAND PUMP ASSEMBLY*** .....1 <i>(red knob)</i>	
--	84740	SEAL KIT,HAND PUMP***	
--	84742	KNOB,HAND PUMP (RED)***	
--	84743	VALVE,PILOT OPERATED ASSEMBLY* <i>(black knob)</i>	
--	84746	KNOB,PILOT OP VALVE (BLACK)***	
--	84748	SPRING,HAND PUMP ROD	
6	84392	VALVE,HAND PUMP, 2003 MINI.....1	
--	84395	SEAL KIT, HAND PUMP,2003 MINI	
7	84539	NEEDLE/HOUSING ASSY W/KNOB*** .....1	
--	84536	SEAL (84535/84539)	
8		<i>(manifolds 39558, 78620 &amp; 96328 are no longer available, order service kit 96461)</i>	
9	105067	MANIFOLD,BRAKE RELEASE <i>(includes items 2-5) (from SN 60879)</i>	

505.1 Hydraulic Power Unit



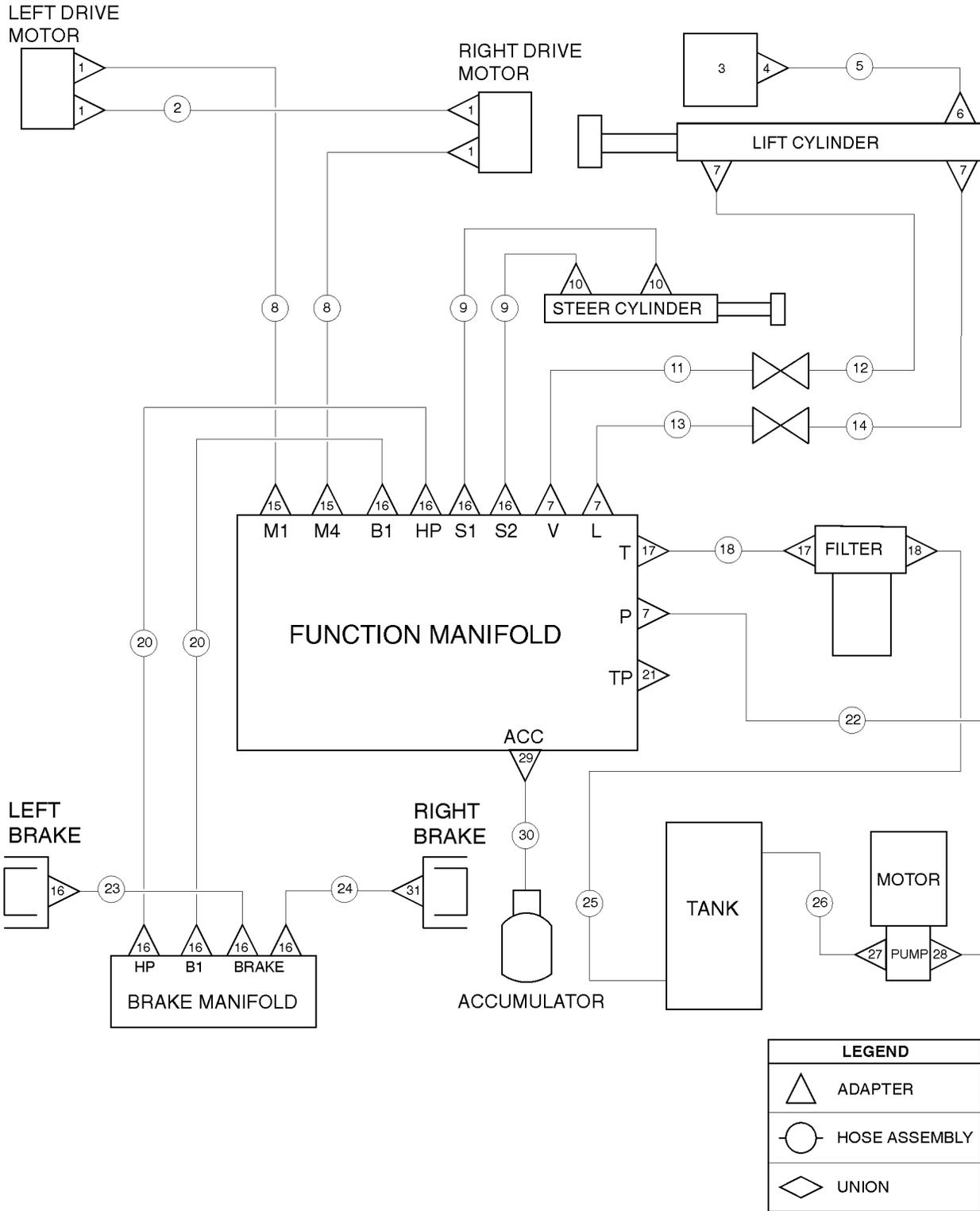
Item	Part No.	Description	Qty.
--	44716	HANDLE,ANDERSON CONNECTOR SB	
--	49812	BAND KIT,5.6" DIA MOTOR*** <i>Band Kit (EE models)</i>	
--	78006	FORMING,PADLOCK BRACKET	
1	40844	MOTOR,ELECTRIC,24VDC 4.5HP.....	1
--	43685	SEAL KIT,LIFT PUMP,BARNES**	
--	44777	BEARING,MOTOR	
--	44778	BEARING,MOTOR,36843,BRUSH END*	
2	44750	SPRING-BRUSH,40844, SCISSORS.....	4
3	44752	COVER-BRUSH INSPEC.40844,SCISS.....	4
4	44751	BRUSH,PWR UNIT (40844)**.....	4
5	55921	SCREW,SHC,3/8-24 X 1.25"	
6	6021	WASHER,LOCK,.,375	
7	96193	PUMP,4CC GEAR,CCW*** .....	1
--	85197	SEAL KIT,BOSCH PUMP***	

506.1 Lift Cylinder Assembly



Item	Part No.	Description	Qty.
1	55558	ORIFICE, LONG, .037*** .....1 (GS-1530, GS-1532) (GS-3246, upper cylinder)	1
1B	55560	ORIFICE, LONG, .059" .....1 GS-32, GS-46	1
2	105543	CYLINDER, MINI LIFT .....1 GS-1930, GS-1932 (shown)	1
--	84388	SEAL KIT-LIFT CYL(96192) .....1	1
2A	105544	CYLINDER, 20XX LIFT .....1 GS-2032, GS-2046	1
--	97131	SEAL KIT (96579) .....1	1
2B	105545	CYLINDER, 26XX/32XX LIFT .....1 (GS-2632, GS-2646) (GS-3246, lower cylinder)	1
--	97131	SEAL KIT (96579) .....1 (GS-2632, GS-2646) (GS-3246, lower cylinder)	1
2C	105546	CYLINDER, 32XX UPPER LIFT .....1 GS-3246, upper cylinder	1
--	105564	SEAL KIT (105546) for cylinder 105546	
--	44227	SEAL KIT, VALVE for 97130	
--	97129	SEAL KIT (96628) .....1 for cylinder 105524	1
--	97130	VALVE-RELIEF, 2500PSI	
3		Ref. Down Coil Wire Harness (refer to 211.1)	
4	39878	CONNECTOR, 070120-6-6 .....1	1
5	28443	CABLE TIE, 11.5" BLACK .....3	3
6		Ref. Emergency Down Cable (refer to 204.1)	
7	44973	NUT, COIL (39909) .....1	1
8	84422	COIL-SOLENOID VALVE, 20V DC*** .....1 (direct replacement for 66467)	1
9	66465	VALVE, W/NC SOLENOID, MANUAL*** .....1 (includes items 7 and 8)	1
--	40477	VALVE, CARTRIDGE***	
--	44979	SEAL KIT, 39909, PLAT LWR VALVE*	
10	41557-S	CABLE BRACKET, PAINTED .....1	1
11	7339	SCREW, HHC, 1/4-20 X .5	
12	6356	WASHER, LOCK, .25	
13	96770	CLAMP, HOSE, 1 EAR, 11/16 .....1	1

507.1 Hydraulic Hoses and Fittings, GS-30

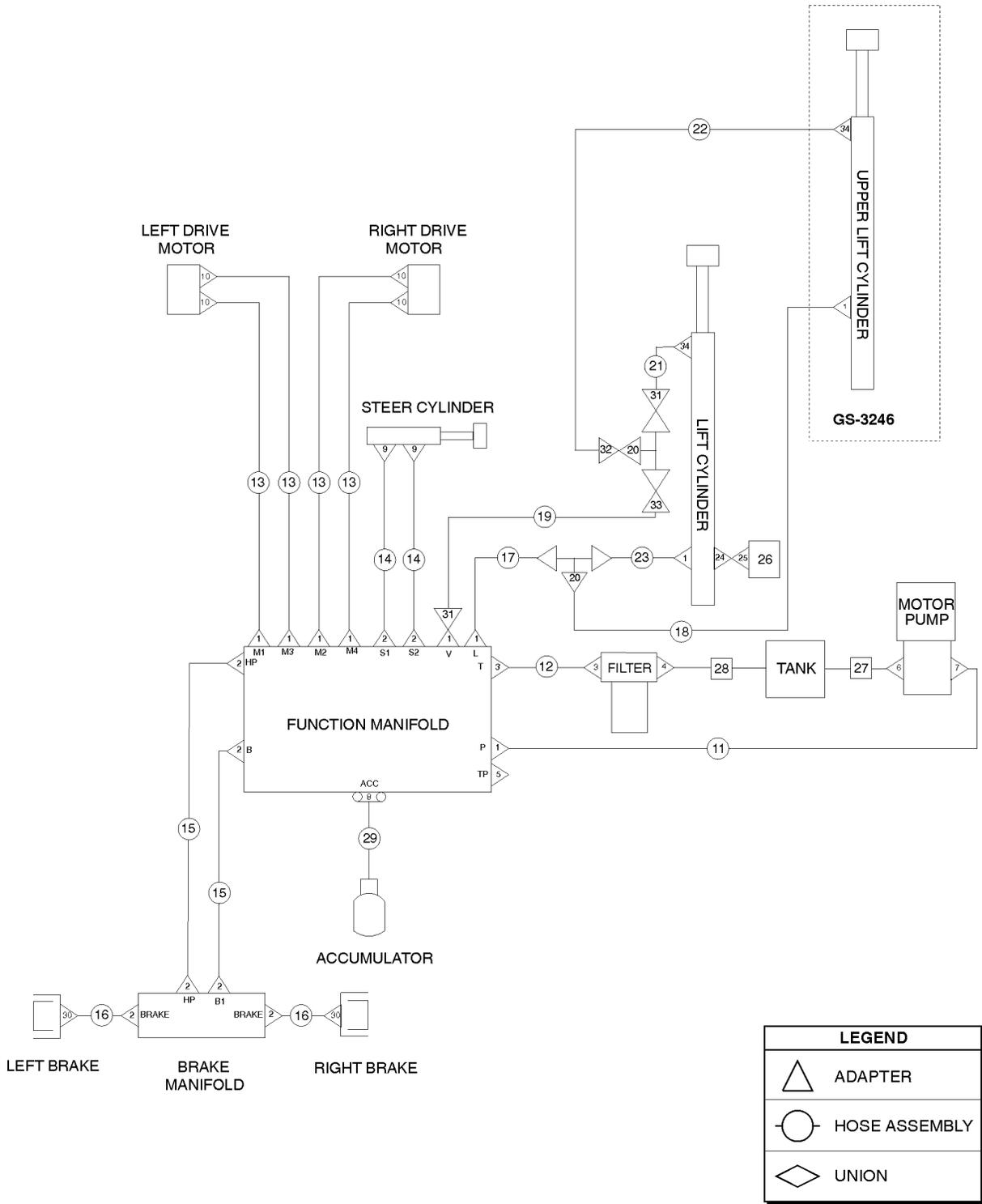


507.1 Hydraulic Hoses and Fittings, GS-30

Item	Part No.	Description	Qty.	Item	Part No.	Description	Qty.
--		<i>The hose lengths below reflect the length of the hose only. Refer to the 'Fittings Cross Reference' to match Genie part numbers to Parker part numbers.</i>		17	20923	CONNECTOR,070120-8-6.....2 <i>(from SN 61881 to 64517)</i>	
1	39873	ELBOW,070220-6-6.....4		18	84659	KIT, HOSE & FIT. RETURN, GS30.....1 <i>(to SN 61881) (includes item 17)</i>	
2	96350	HOSE, ASSY, MOTOR CROSSOVER.....1 <i>(39890, 39890 and 39866 @ 50 inches)</i>		18A	96348	HOSE, ASSY, MAN TO FILTER <i>(from SN 61882) (96406, 96406 and 75631 @ 25 inches)</i>	
3		Ref. Adjustable Pressure Switch <i>(refer to 701.1)</i>		19	96398	CONNECTOR, 070120-12-8.....1	
4	96506	Fitting.....1 <i>(CE models)</i>		20	96352	HOSE, ASSY, BRAKE.....2 <i>(to SN 65104) (78855, 78855, and 78852 @ 54 inches)</i>	
5	96697	LINE,HYD,PRESS SW.....1 <i>(CE models)</i>		20A	96352	HOSE, ASSY, BRAKE.....1 <i>(from SN 65105)</i>	
6	39881	CONNECTOR,070120-4-6.....1 <i>(CE models)</i>		21		Ref. Diagnostic Nipple <i>(refer to 502.1)</i>	
7	39878	CONNECTOR,070120-6-6.....5		22	96353	HOSE, ASSY, PRESSURE.....1 <i>(39890, 39890 and 39866 @ 40 inches)</i>	
8	96349	HOSE,ASSY,DRIVE MOTORS, 32IN.....1 <i>(to SN 63150) (39890, 39890 and 39866 @ 32 inches)</i>		23	96391	HOSE, ASSY.....1 <i>(78855, 78855, and 78852 @ 17 inches)</i>	
8A	105059	HOSE,ASSY,DRIVE MOTORS,MINI <i>(from SN 63151) (39890, 39890 and 56776 @ 30 inches)</i>		24	96392	HOSE, ASSY, RIGHT BRAKE.....1 <i>(78855, 78855, and 78852 @ 17 inches)</i>	
9	96351	HOSE, ASSY, STEER.....2 <i>(78855, 78855 and 78852 @ 22 inches)</i>		25	96355	TUBE, ASSY, RETURN.....1	
10	13921	ELBOW,070220-4-4.....2		26	96354	TUBE, ASSY, DRAW.....1	
11	96395	HOSE, ASSY, LOWER VENT.....1 <i>(96407, 96407 and 75631 @ 40 inches)</i>		27	22664	ELBOW,070220-12-10.....1	
12	96396	HOSE, ASSY, UPPER VENT.....1 <i>(96406, 96406 and 75631 @ 76 inches)</i>		28	39876	ELBOW,070220-6-8.....1	
13	96393	HOSE, ASSY, LOWER LIFT.....1 <i>(39890, 47223 and 39886 @ 44 inches)</i>		29	53501	O-RING-6.....1	
14	96394	HOSE, ASSY, UPPER LIFT.....1 <i>(38990, 39890 and 39886 @ 40 inches)</i>		30	78864	HOSE ASSY, MAN/ACCUM, MINI....1 <i>(78855, 78855, and 78852 @ 20 inches)</i>	
15	42283	ELBOW,070320-6-6.....2		31	45351	ELBOW,070320-4-4.....1	
16	39877	CONNECTOR,070120-4-4.....8 <i>(to SN 65104)</i>					
16A	39882	PLUG,HEX SOCKET,090109B-4.....1 <i>(from SN 65105)</i>					



508.1 Hydraulic Hoses and Fittings, GS-32, GS-46



508.1 Hydraulic Hoses and Fittings, GS-32, GS-46

Item	Part No.	Description	Qty.	Item	Part No.	Description	Qty.
--		<i>The hose lengths below reflect the length of the hose only. Refer to the 'Fittings Cross Reference' to match Genie part numbers to Parker part numbers.</i>		14	96747	HOSE, ASSY, STEER.....2 (Components: 39893, 39893, and 78852 @ 50 inches)	
1	39878	CONNECTOR,070120-6-6.....4		15	96748	HOSE, ASSY, BRAKE.....1 GS-2032, GS-2632 (Components: 39893, 39893, and 78852 @ 80")	
2	39877	CONNECTOR,070120-4-4.....6 GS-2032, GS-2632		15A	96748	HOSE, ASSY, BRAKE.....2 GS-2046, GS-2646, GS-3246 (to SN 60878) (Components: 39893, 39893, and 78852 @ 80 inches)	
2A	39882	PLUG,HEX SOCKET,090109B-4.....1 GS-2032, GS-2632(located in HP port on manifold)		15B	96748	HOSE, ASSY, BRAKE.....1 GS-2046, GS-2646, GS-3246 (from SN 60879) (Components: 39893, 39893, and 78852 @ 80 inches)	
2B	39877	CONNECTOR,070120-4-4.....8 GS-2046, GS-2646, GS-3246 (to SN 65104)		16	105258	HOSE, ASSY, BRAKE MAN, GS32.....2 GS-2032, GS-2632 (Components: 78855, 78855, and 78852 @ 18")	
2C	39877	CONNECTOR,070120-4-4.....7 GS-2046, GS-2646, GS-3246 (from SN 65105)		16A	96749	HOSE, ASSY, BRAKE MAN, GS46.....2 GS-2046, GS-2646, GS-3246 (Components: 39893, 39893, and 78852 @ 24 inches)	
2D	39882	PLUG,HEX SOCKET,090109B-4.....1 GS-2046, GS-2646, GS-3246 (from SN 65105)		17	96750	HOSE, ASSY, LIFT (Components: 39890, 39890, and 56776 @ 47 inches)	
3	96397	CONNECTOR, 070120-8-8.....2		18	96880	HOSE,ASSY,UPPER LIFT.....1 GS-3246 (Components: 39890, 39891, and 56776 @ 304 inches)	
4	96398	CONNECTOR, 070120-12-8.....1		19	75631	HOSE,AIR 3/8.....42-inches Vent Hose (for hose ends see items 31 & 33)	
5		Ref. Diagnostic Nipple (refer to 503.1)		20	51152	TEE,RUN 070432-6***** .....2 GS-3246	
6	22664	ELBOW,070220-12-10.....1		21	75631	HOSE,AIR 3/8.....161-inches Vent Hose (for hose ends see items 31 & 34)	
7	39876	ELBOW,070220-6-8.....1		22	75631	HOSE,AIR 3/8.....320-inches Vent Hose GS-3246 (for hose ends see items 32 & 34)	
8	53500	O-RING-4.....1		23	105046	HOSE ASSY,LOWER LIFT.....1 (Components: 47223, 39890, and 56776 @ 125 inches)	
9	13921	ELBOW,070220-4-4.....2 GS-2032, GS-2632, GS-2046, GS-2646		24	96885	CONN,SWIVEL,STR,THR,465OX-S.1 CE models	
9A	13921	ELBOW,070220-4-4.....4 GS-3246		25	39881	CONNECTOR,070120-4-6.....1 CE models	
10	39873	ELBOW,070220-6-6.....4		26		Ref. Pressure Switch.....1 (refer to 702.1)	
11	96744	HOSE, ASSY, PRESSURE.....1 (Components: 39890, 39890, and 56776 @ 50 inches)					
12	96745	HOSE, ASSY, MAN TO FILTER.....1 (Components: 96406, 96406, and 53776 @ 38 inches)					
13	105247	HOSE ASSY, DRIVE MOTORS, GS32.....4 (Components: 39890, 39890, and 56776 @ 60 inches)					
13	96746	HOSE ASSY, DRIVE MOTORS, GS46.....4 (Components: 39890, 39890, and 56776 @ 60 inches)					

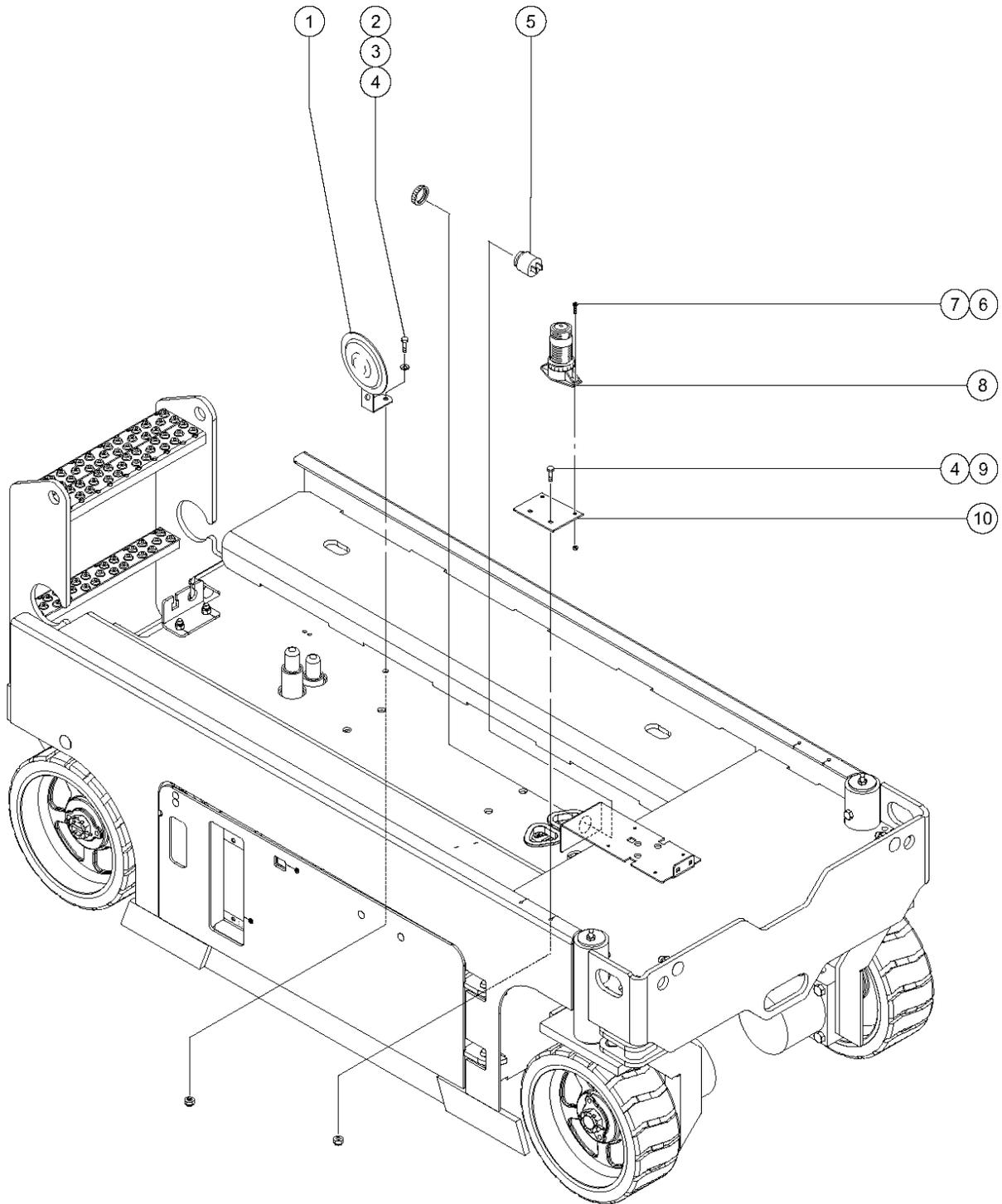


508.1 Hydraulic Hoses and Fittings, GS-32, GS-46  
(continued)

Item	Part No.	Description	Qty.
27	96354	TUBE, ASSY, DRAW.....	1
28	96355	TUBE, ASSY, RETURN.....	1
29	105246	HOSE ASSY, MAN/ACCUM, GS32/46..... <i>(Components: 78855, 78855, and 78852 @ 17 inches)</i>	1
30	45351	ELBOW,070320-4-4.....	2
31	96406	HOSE END,BARBED,SWIVEL,JIC,6-6.....	1
32	105045	HOSE END 90,JIC 33982-6-6..... GS-3246	1
33	96407	HOSE END, MALE JIC, 30382-6-6B.....	1
34	130011	HOSE CLAMP, SAE #6..... <i>(qty 2 for GS-3246)</i>	1

*This Page Intentionally Left Blank*

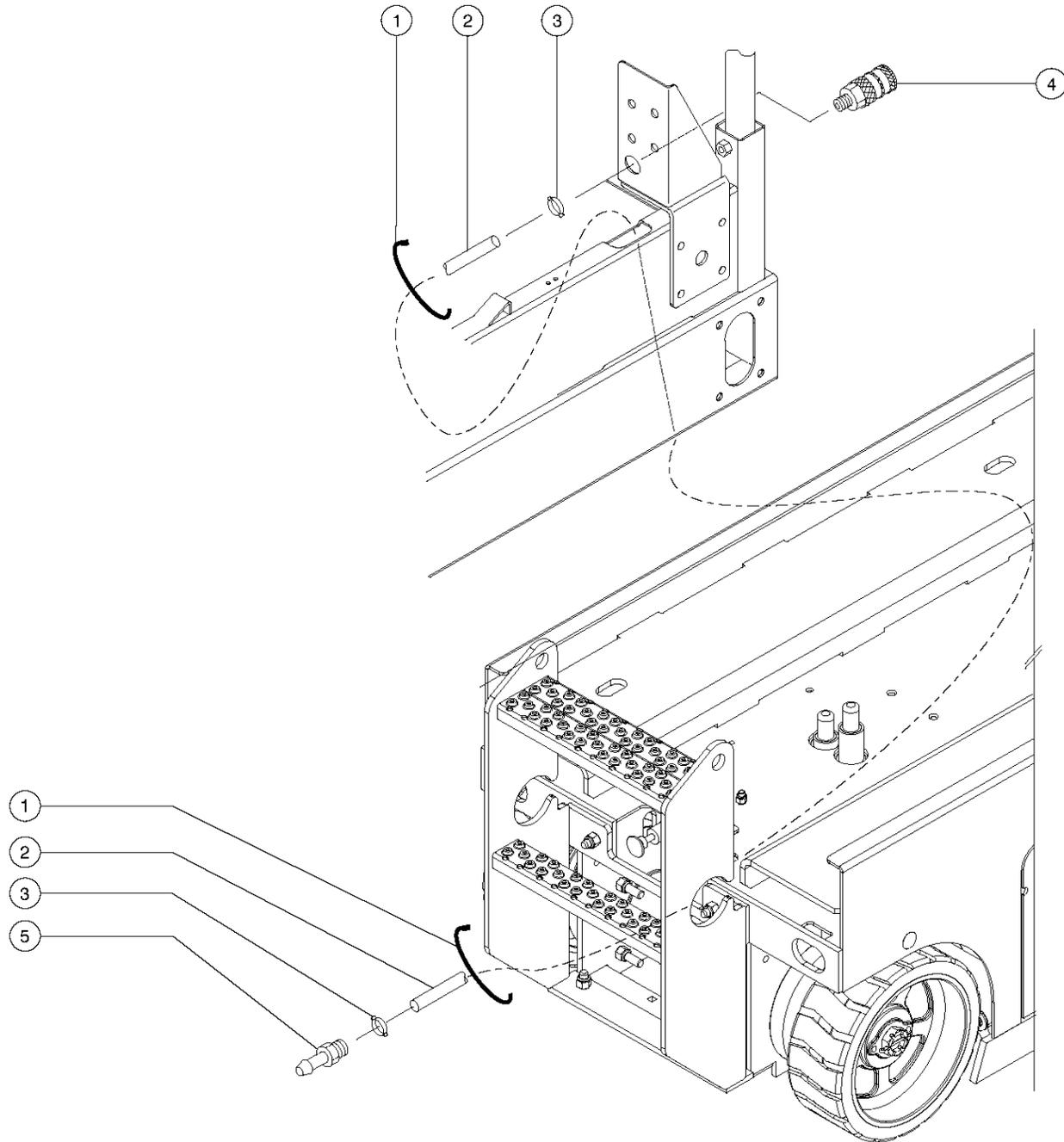
601.1 Alarm, Horn and Flashing Beacons, All Models



601.1 Alarm, Horn and Flashing Beacons, All Models

Item	Part No.	Description	Qty.
--	96410-S	BEACON ACC,STANDARD GS-30	
--	105797	KIT,BEACON,GS32/46	
--	47675-S	TRAVEL ALARM ACC, SLAB	
1	81579	HORN,24VDC,SPADE TERMINALS*** .....1	
--	78098	RELAY,24VDC,40/30A,SLD W/BRKT*	
2	8914	SCREW,HHC,1/4-20 X .625	
3	6638	WASHER,FLAT,USS,1/4"Y	
4	6091	NUT,NYLOCK,1/4-20	
5	39540	ALARM,STEADY TONE*** .....1 <i>Does not include 72326 nut</i>	
--	72326	NUT - PLASTIC,RING FOR ALARMS	
6	49816	SCREW,PHILLIPS,PHM,10-32 X .75	
7	6178	NUT,NYLOCK,10-32	
8	66909	STROBE,BEACON,W/OUT HARDWARE** .....2	
--	58973	LIGHT,REPLACEMENT BULB (39676)	
9	6878	BOLT,CARRIAGE,1/4-20 X .75,G2	
10	96363	PLATE,BEACON MOUNT.....2	

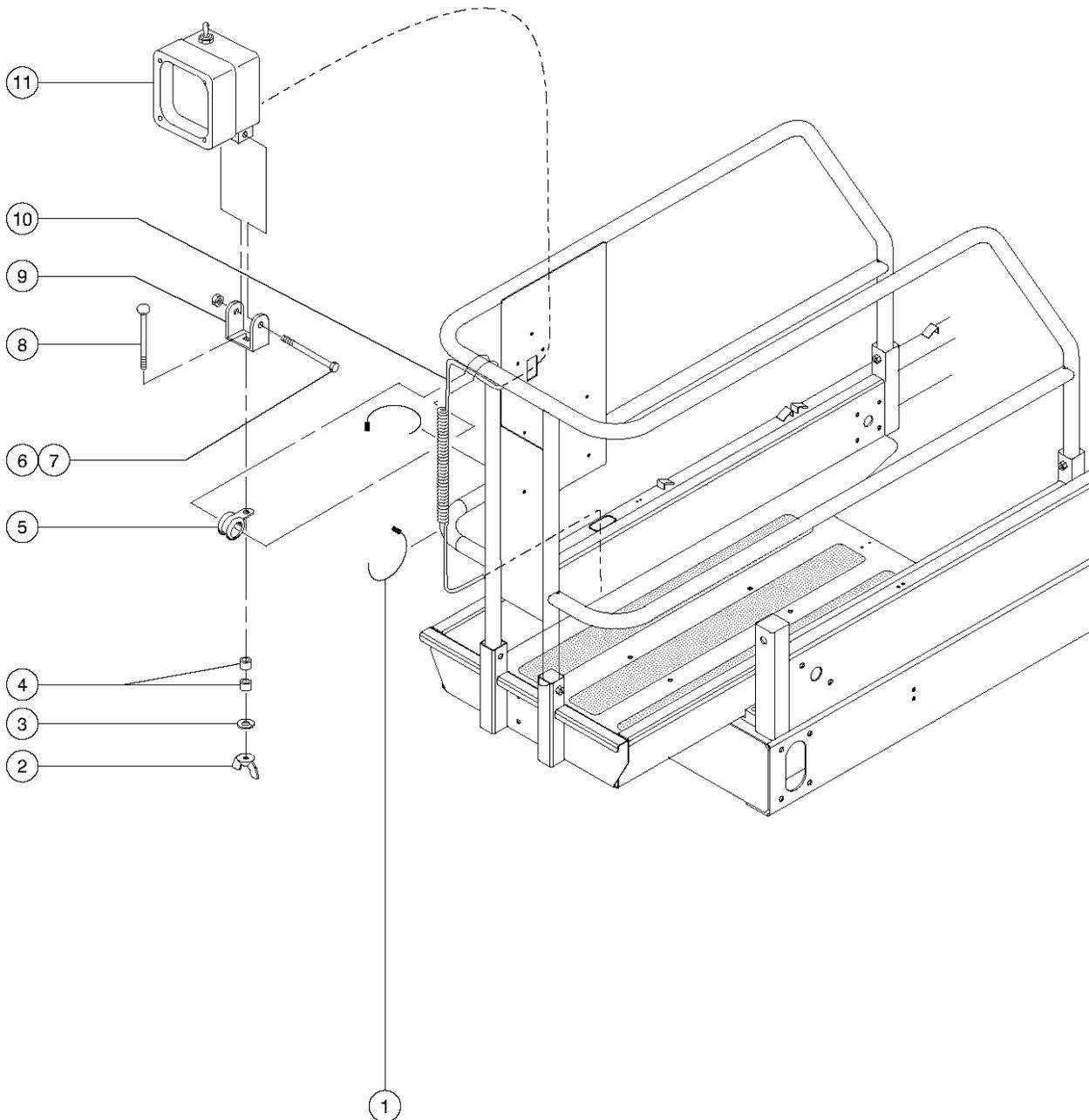
602.1 Air Line to Platform



602.1 Air Line to Platform

Item	Part No.	Description	Qty.
--	96515-S	AIR TO PLAT, GS15, ACC	
--	96516-S	AIR TO PLAT, GS19, ACC GS-1530, GS-1532	
--	96731-S	AIR TO PLAT, GS20XX, ACC	
--	96990-S	AIR TO PLAT, GS26XX, ACC	
--	96991-S	AIR TO PLAT, GS3246, ACC	
1	28443	CABLE TIE,11.5" BLACK	
2	27903	HOSE,LOW PRESSURE,.375 ID,BLK.....275-inches GS-1530, GS-1532	
2A	27903	HOSE,LOW PRESSURE,.375 ID,BLK.....340-inches GS-1930, GS-1932	
2B	27903	HOSE,LOW PRESSURE,.375 ID,BLK.....390-inches	
2C	27903	HOSE,LOW PRESSURE,.375 ID,BLK.....490-inches	
2D	27903	HOSE,LOW PRESSURE,.375 ID,BLK.....590-inches	
3	45454	CLAMP,RUB CUSH,0.75,#12 X 3/8* .....1	
4	96543	COUPLER,1/4"SERIES,3/8 P-LOK.....1	
5	96542	PLUG,1/4"SERIES,3/8 P-LOCK***...1	

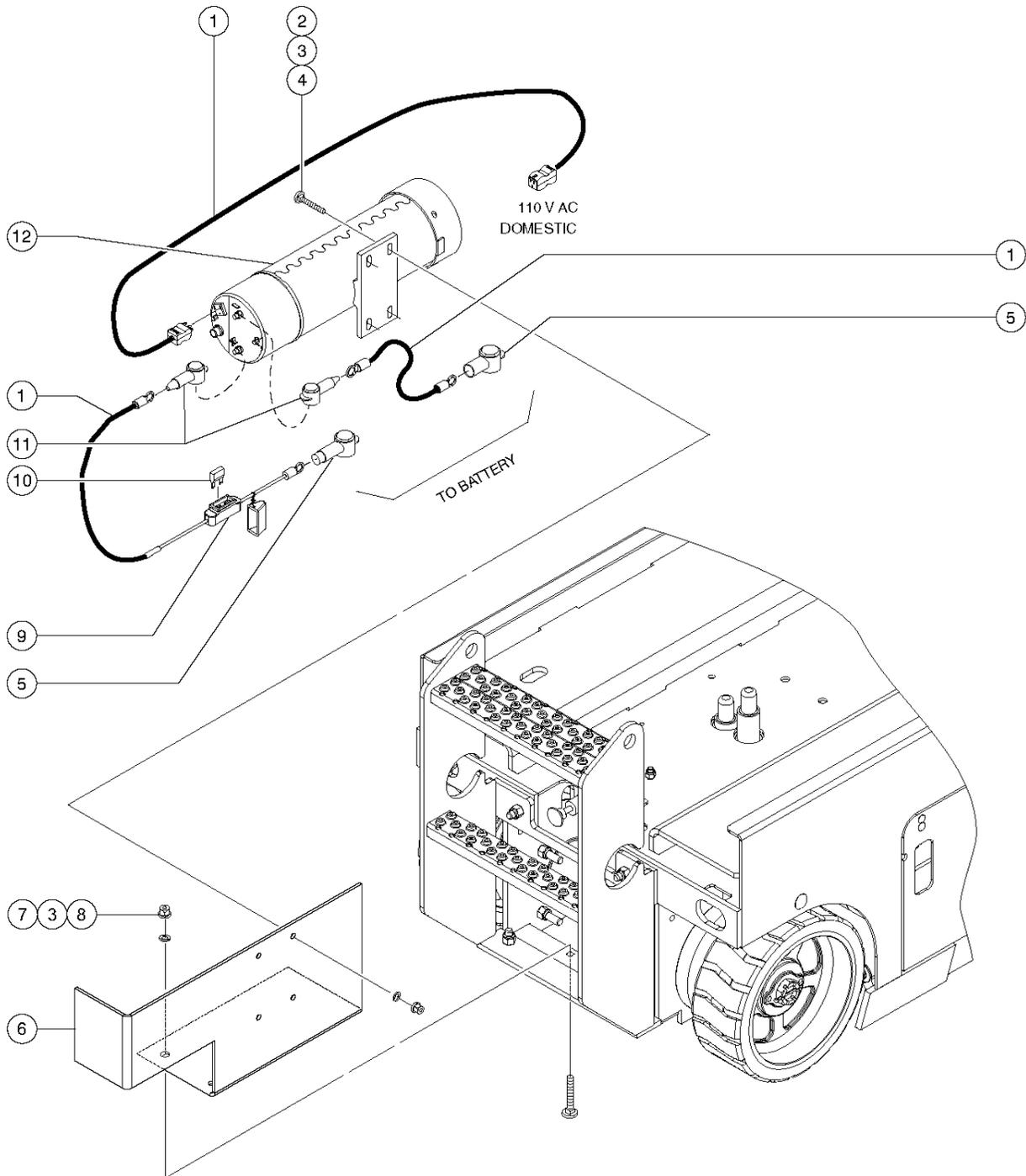
603.1 Platform Work Light



603.1 Platform Work Light

Item	Part No.	Description	Qty.
--	105918	WORKLIGHT ACCES,GS15FT GS-1530, GS-1532	
--	105919	WORKLIGHT ACCES,GS19FT GS-1930, GS-1932	
--	144027	WORKLIGHT ACCESSORY,GS19/20XX GS-2032, GS-2046	
--	144028	WORKLIGHT ACCESSORY,GS26XX GS-2632, GS-2646	
--	144029	WORKLIGHT ACCESSORY,GS32XX	
--	105971	WORKLIGHT PIGTAIL ASSY (chassis)	
--	105972	WORKLIGHT CABLE,GS15XX (linkset) GS-1530, GS-1532	
--	105971	WORKLIGHT PIGTAIL ASSY (chassis)	
--	105973	WORKLIGHT CABLE,GS19/20XX (linkset) GS-1930, GS-1932	
--	105971	WORKLIGHT PIGTAIL ASSY (chassis)	
--	105973	WORKLIGHT CABLE,GS19/20XX (linkset) GS-2032, GS-2046	
--	105971	WORKLIGHT PIGTAIL ASSY (chassis)	
--	105974	WORKLIGHT CABLE,GS26XX (linkset) GS-2632, GS-2646	
--	105971	WORKLIGHT PIGTAIL ASSY (chassis)	
--	105975	WORKLIGHT CABLE,GS32XX (linkset) GS-3232, GS-3246	
1	28443	CABLE TIE,11.5" BLACK.....	10
2	69229	NUT,WING 5/16-18.....	1
3	6886	WASHER,LOCK,,.313	
4	65435	SPACER, .35ID X .785OD X .435.....	2
5	33784	CLAMP,1.31,#21 X 1/4,RUB CUSH.....	1
6	50793	SCREW,HHC,5/16-18 X 2	
7	6782	NUT,NYLOCK,5/16-18	
8	65439	BOLT,CARRIAGE,5/16-18 X 2.0,G2	
9	144009	WORKLIGHT BRACKET.....	1
10	65721	COIL CORD,WORKLIGHT(144011).....	1
11	144011	WORKLIGHT,24V,COIL CORD.....	1

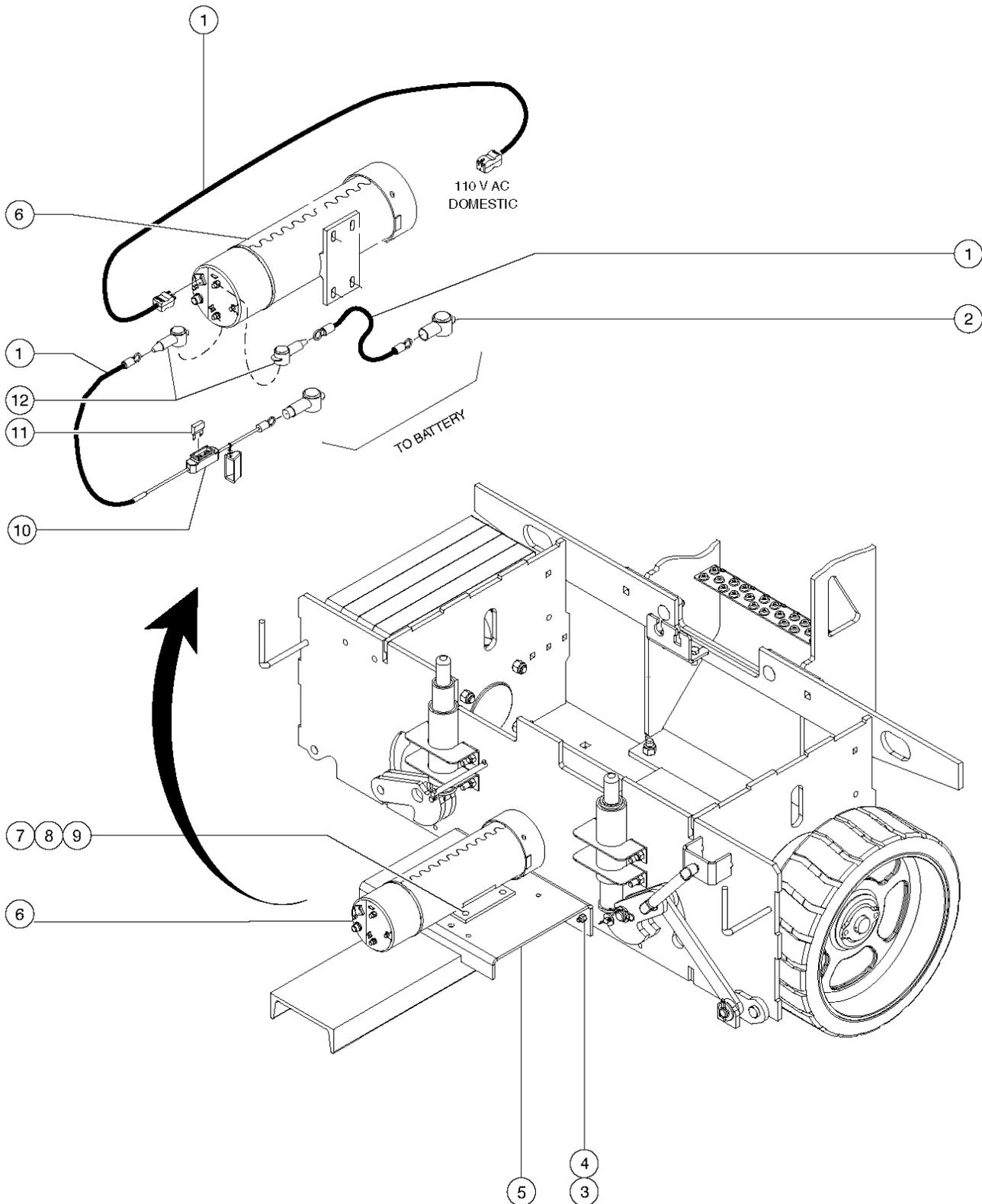
604.1 Voltage Inverter, GS-30



604.1 Voltage Inverter, GS-30

Item	Part No.	Description	Qty.
--	105218	INVERT.OPTION,GENIE GS30/1532 <i>(complete)</i>	
1		Ref. Wire Harness Assembly <i>(refer to 211.1)</i>	
2	64154	BOLT,CARRIAGE,3/8-16 X1.00,G5	
3	6638	WASHER,FLAT,USS,1/4"Y	
4	6782	NUT,NYLOCK,5/16-18	
5	51147	BOOT,CABLE TERMINAL,LG,RED,2/0.....2	
6	96457	FORMING, INVERTER SUPPORT.....1	
7	4828	NUT,NYLOCK,3/8-16	
8	66218	BOLT,CARRIAGE,5/16-18 X 1.0,G2	
9	55747	FUSE HOLDER,INLINE,GS.....1	
10	55726	FUSE,50 AMP.....1	
11	55748	BOOT,CABLE TERMINAL,SMALL...2	
12	96950	INVERTER,24VDC,110/230 VAC***	

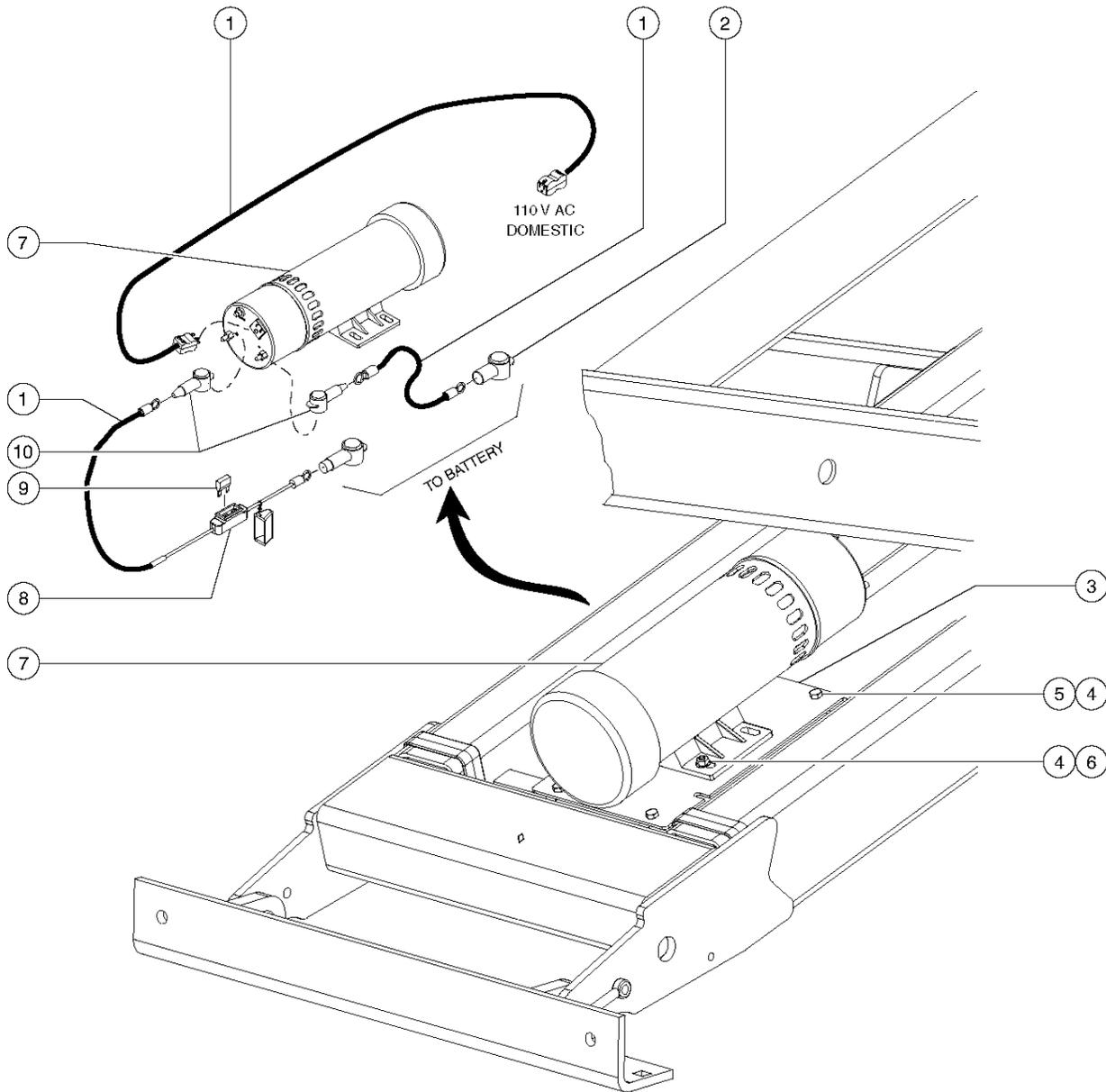
605.1 Voltage Inverter, GS-32, GS-46 (from SN GS4603-60000 to GS4604-61131)



## 605.1 Voltage Inverter, GS-32, GS-46 (from SN GS4603-60000 to GS4604-61131)

Item	Part No.	Description	Qty.
--	105248	SERVICE KIT,INVERTER 800W***	
1		Ref. Wire Harness Assembly (refer to 211.1)	
2	51147	BOOT,CABLE TERMINAL,LG,RED,2/0.....	2
3	60790	BOLT,CARRIAGE,3/8-16 X1.50,G5	
4	7713	NUT,LP NYLOCK,3/8-16	
5	96898	FORMING,INVERTER MOUNT.....	1
6	96950	INVERTER,24VDC,110/230 VAC***	
7	66218	BOLT,CARRIAGE,5/16-18 X 1.0,G2	
8	6782	NUT,NYLOCK,5/16-18	
9	6638	WASHER,FLAT,USS,1/4"Y	
10	55747	FUSE HOLDER,INLINE,GS.....	1
11	55726	FUSE,50 AMP.....	1
12	55748	BOOT,CABLE TERMINAL,SMALL...	2

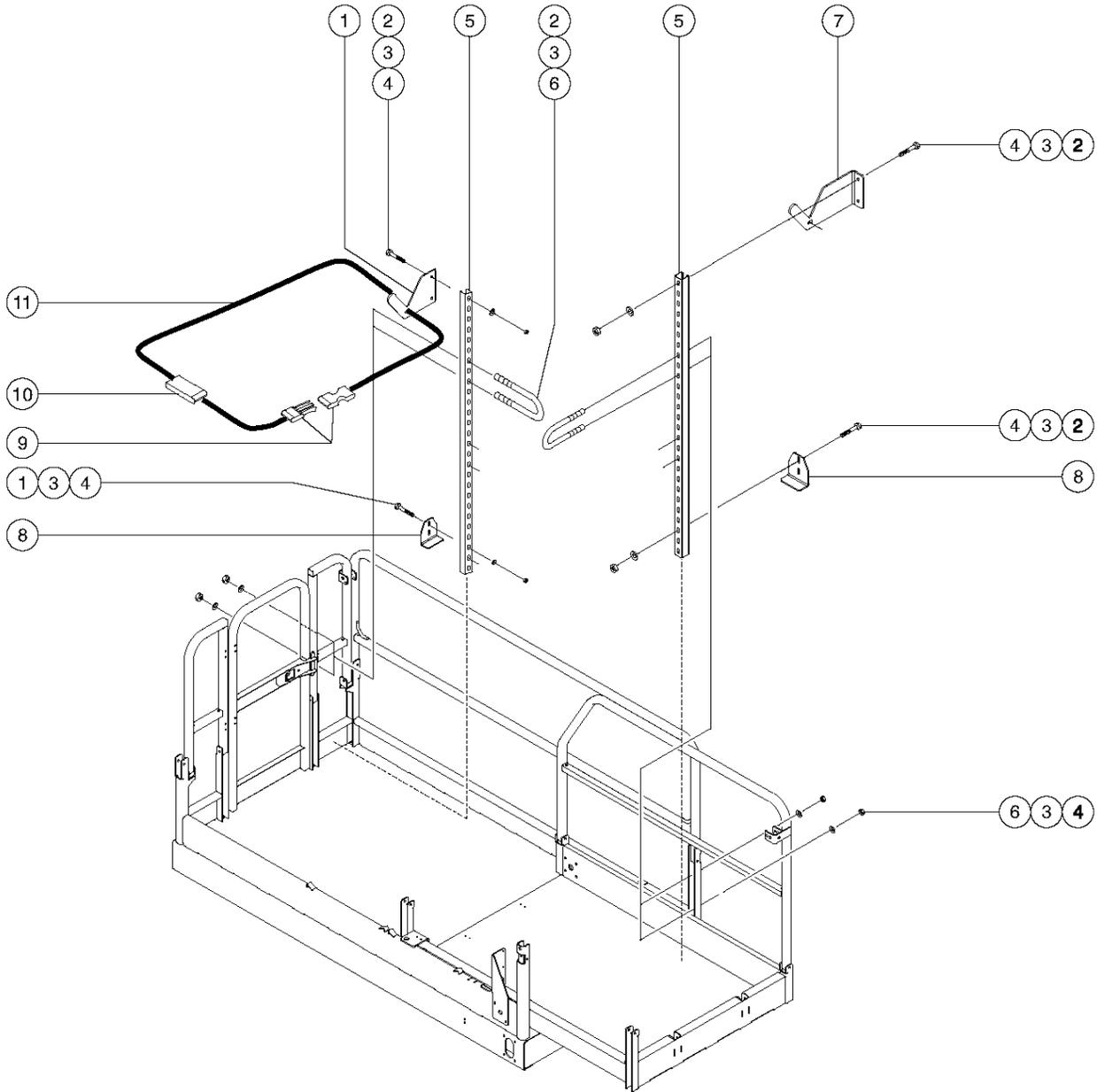
605.2 Voltage Inverter, GS-32, GS-46 (from SN GS4604-61131)



605.2 Voltage Inverter, GS-32, GS-46 (from SN GS4604-61131)

Item	Part No.	Description	Qty.
--	105248	SERVICE KIT,INVERTER 800W***	
1		Ref. Wire Harness Assembly (refer to 211.1)	
2	51147	BOOT,CABLE TERMINAL,LG,RED,2/0.....	2
3	105129	PLATE, INVERTER MOUNT.....	1
4	6090	SCREW,HHC,1/4-20 X .75	
5	56912	SPRING CLIP,1/4-20,.025-.15X.5	
6	18504	NUT,LOCKING-LG.FLANGE,1/4-20	
7A	96950	INVERTER,24VDC,110/230 VAC***	
8	55747	FUSE HOLDER,INLINE,GS.....	1
9	55726	FUSE,50 AMP.....	1
10	55748	BOOT,CABLE TERMINAL,SMALL...	2

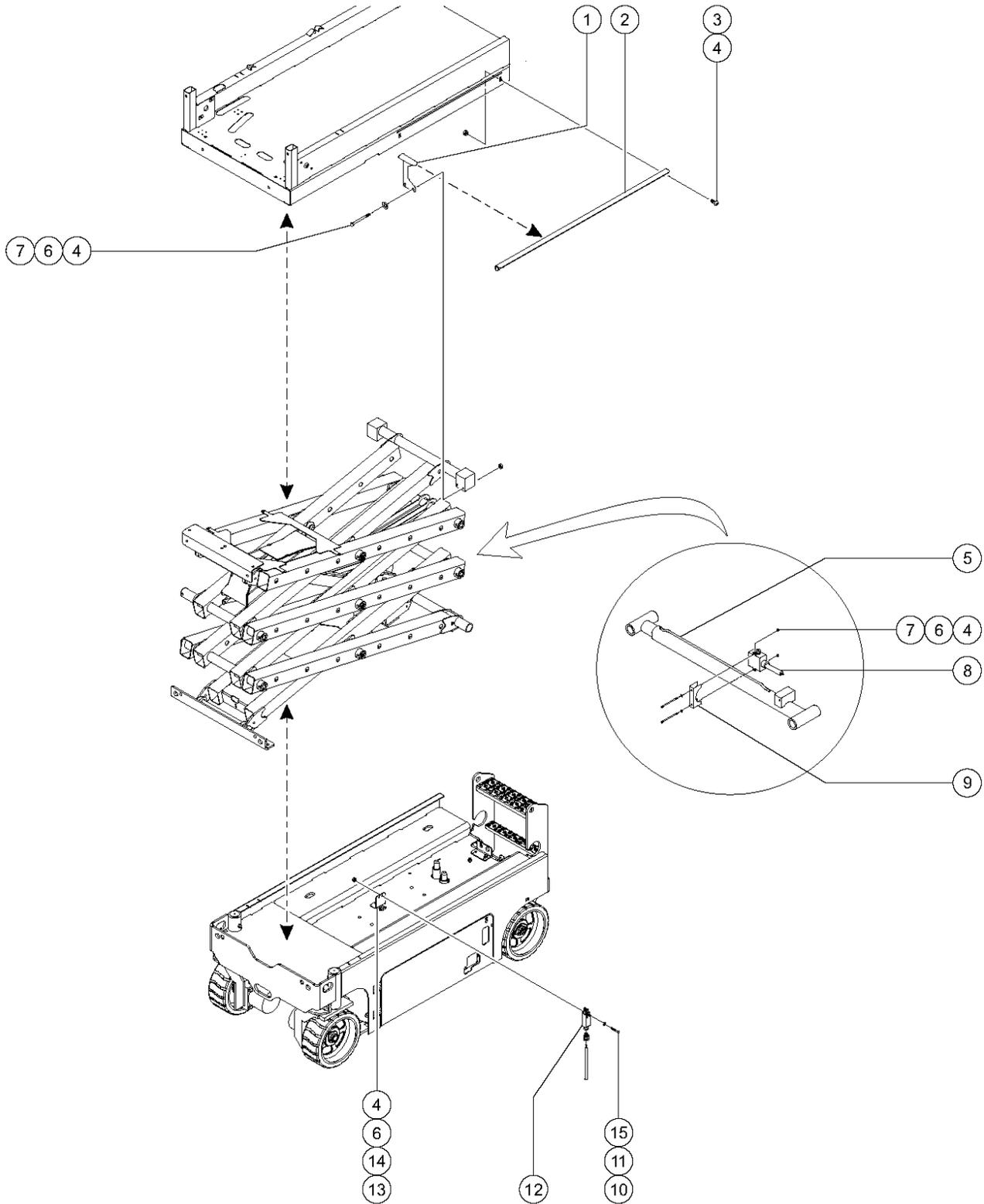
606.1 Pipe Cradle Assembly, GS-2046, GS-2646, GS-3246



606.1 Pipe Cradle Assembly, GS-2046, GS-2646, GS-3246

Item	Part No.	Description	Qty.
--	72878	PIPE CRDL,SQ RAILINGS,GS46 <i>models with square railings; see 66172-S for round rails</i>	
1	79156	PLATE,PIPE HOLDER, GS68.....	1
2	14033	SCREW,HHC,3/8-16 X 2.75.....	8
3	6097	WASHER,FLAT,USS,3/8",Y	
4	4828	NUT,NYLOCK,3/8-16	
5	66171	CHANNEL,PIPE RACK.....	2
6	66472	U-BOLT, SQR, 3/8-16X2X5, PLTD.....	4
7	66169	FORMING, PIPE HOLDER RACK....	1
8	79158	FORMING,PIPE RACK BASE, GS68.....	2
9	100810	BUCKLE & SLIDE STRAP SET.....	1
10	35643	BUCKLE,SIDE RELEASE.....	2
11	35642	STRAP,NYLON,1.0 IN. BLACK.....	96-inches

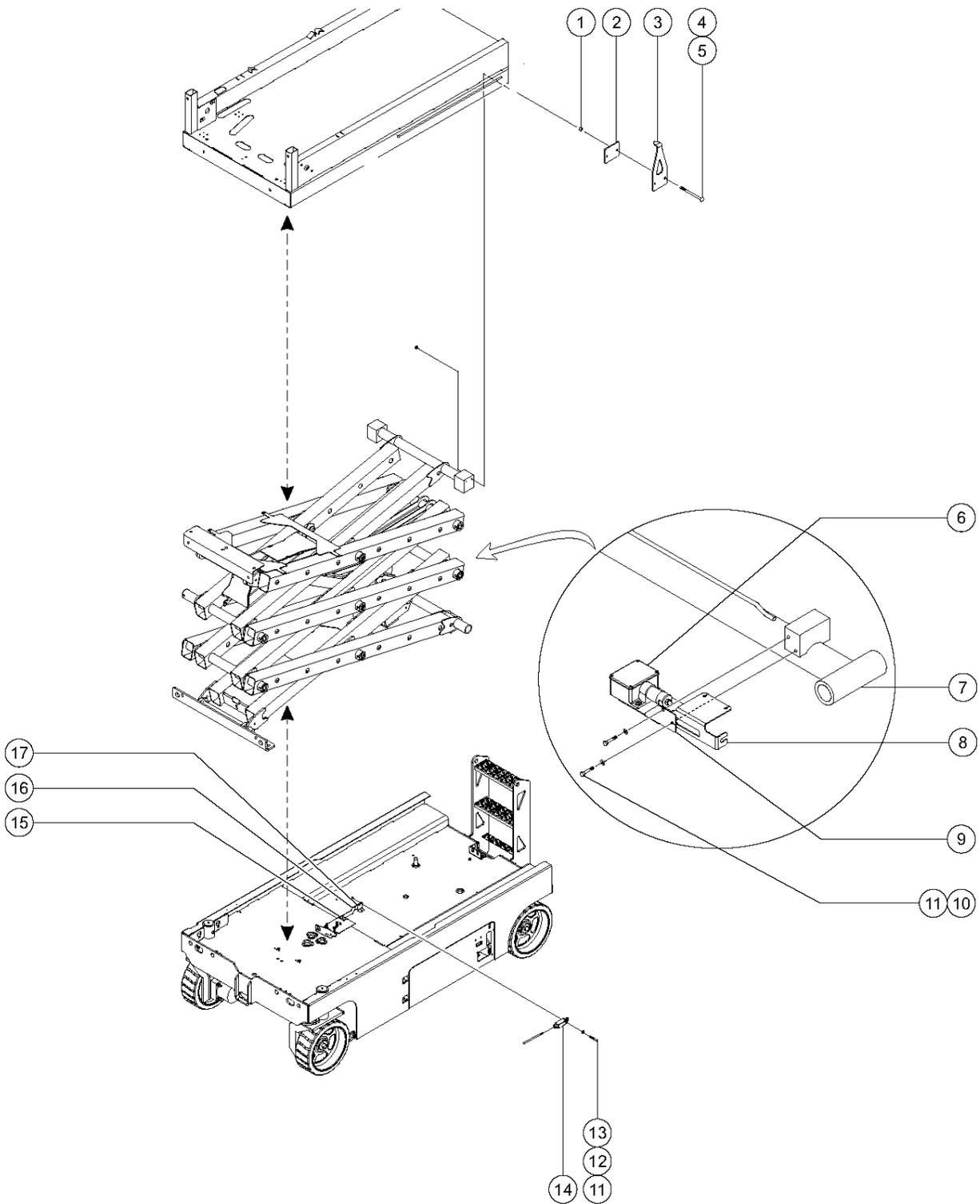
701.1 Platform Overload Components, GS-30



701.1 Platform Overload Components, GS-30

Item	Part No.	Description	Qty.
1	96539	FORMING, POINTER, 1532, LOAD SENS.....	1
1A	96504	FORMING, POINTER, 1932, LOAD SENS	
2	96829	FORMING, LOAD DECAL.....	1
3	6878	BOLT, CARRIAGE, 1/4-20 X .75, G2	
4	18504	NUT, LOCKING-LG. FLANGE, 1/4-20	
5		Ref. Lift Cylinder <i>(refer to 506.1)</i>	
6	6638	WASHER, FLAT, USS, 1/4"Y	
7	6115	SCREW, HHC, 1/4-20 X 3.5	
8	105355	KIT, PRESS SWITCH RPLCMNT, MINI*.....	1
--		<i>(CE models)</i>	
--		Ref. Hose Assembly <i>(refer to 507.1)</i>	
--		Ref. Pressure Switch Wire Harness <i>(refer to 211.1)</i>	
9	71911	CLAMP, MUFFLER, 2.50 INCH	
10	51063	SCREW, PHILLIPS, RHM, 10-32 X 1.5	
11	6178	NUT, NYLOCK, 10-32	
12		Ref. Wire Harness Assembly <i>(refer to 211.1)</i>	
--	19491	CONTACTOR, LIMIT SWITCH	
--	96948	SWITCH, LIMIT, W/ROLLER ARM***	
--	97128	ROLLER ARM, LIMIT SWITCH***	
13	96411	FORMING, BRKT, UP LIMIT SW.....	1
14	6090	SCREW, HHC, 1/4-20 X .75 <i>(to SN 70970)</i>	
14A	6878	BOLT, CARRIAGE, 1/4-20 X .75, G2 <i>(from SN 70971)</i>	
15	6146	WASHER, FLAT, MS, #10, Y	

702.1 Platform Overload, GS-32, GS-46



## 702.1 Platform Overload, GS-32, GS-46

Item	Part No.	Description	Qty.
--	97266	CE POINTER REPL KIT, GS32/46	
1	96904	SPACER, 1/4ID X 1/2OD X .313	
2	96933	WEAR PAD, PLATFORM POINTER.....	1
3	96872	FORMING, POINTER.....	1
4	96903	BOLT,CARRIAGE, 1/4-20 X 3.50,G2	
5	6091	NUT,NYLOCK, 1/4-20	
6	105356	KIT,PRESS SWTH RPLMNT,GS32/46* .....	1
--		Ref. Hose Assembly (refer to 508.1)	
--		Ref. Pressure Switch Wire Harness (refer to 211.1)	
7		Ref. Lift Cylinder (refer to 506.1)	
8	41557-S	CABLE BRACKET,PAINTED.....	1
9	96908	FORMING,PRESSURE SW. MOUNT.....	1
10	7339	SCREW,HHC, 1/4-20 X .5	
11	6356	WASHER,LOCK,.25	
12	51063	SCREW,PHILLIPS,RHM,10-32 X 1.5	
13	6178	NUT,NYLOCK,10-32	
14		Ref. Wire Harness Assembly (refer to 211.1)	
--	19491	CONTACTOR,LIMIT SWITCH	
--	96948	SWITCH,LIMIT,W/ROLLER ARM***	
--	97128	ROLLER ARM,LIMIT SWITCH***	
15	6878	BOLT,CARRIAGE, 1/4-20 X .75,G2	
16	105715	FORMING,UP LMT SW BRKT,32/46.....	1
17	105715	FORMING,UP LMT SW BRKT,32/46.....	2

# Part Number Index

The Part Number Index is a numeric index of all part numbers included in this manual. The index shows what page(s) the part is used on.

Part Number	Page	Part Number	Page	Part Number	Page	Part Number	Page
-	45, 47	105662	95	160869	21-22	28176	11-12, 17-18, 25-26
100810	129	105715	133	160870	21-22		
100839	51	105739	49	16487	39	28235	11-12, 15, 17-18, 21-22, 25-26, 29
100840	95	105797	117	18383	71, 73, 75		
100998	95	105918	121	18503	47		
100999	95	105919	121	18504	45, 53, 71, 73, 75, 127, 131	28236	11-12, 17-18, 25-26
104804	82-83, 86, 89	105971	121			28443	81-83, 89, 109, 119, 121
105004	82-83	105972	121	18722	33		
105021	75	105973	121	19491	39, 131, 133	30217	65, 67, 69, 73
105023	82-83	105974	121	19506	53	30784-2550	45, 47
105045	114	105975	121	20224	101, 103	31060	11-12, 17-18, 25-26
105046	113-114	105990	95	20923	111		
105051	31	105992	55-56, 59-60	21253	31, 33	31508	11-12, 17-18, 25-26
105055	41	105997	69	21279	77-79, 81-83, 85-86		
105057	82-83	105998	69			33278	45, 47
105059	111	10775	91	214905	11-12	33724	91
105060	43	10777	91	214906	11-12	33784	121
105063	101	109503	95	214907	11-12	34742	41, 43
105066	35-36	12016	41, 43	214908	11-12	35059	53
105067	105	1257054	60	214909	11-12	35642	129
105069	43	1257055	60	214910	11-12	35643	129
105071	55-56	1257056	60	214911	11-12	36369	63
105072	51	1257057	60	214912	11-12	37947	53
105074	71, 73, 75	1257058	60	214913	11-12		
105080	35-36	1257059	60	214914	11-12	38149	11-12, 15, 17-18, 21-22, 25-26, 29
105085	65, 67, 69	1257204	51	214916	11-12		
105092	36, 71, 73, 75	1257205	51	214917	11-12	39232	39
105099	82-83	1261334	60	219480	49	39310	78-79, 81-83, 85-86
105100	36	1261335	60	219554	51		
105109	97	130011	114	219556	51	39469	39, 77-79, 81-83, 85-86
105115	97	13585	91	22446	82-83, 86, 89		
105122	31	13635-10	33	226163	51	39470	77-79, 81-83, 85-86
105125	55-56, 59-60	13921	111, 113-114	22664	111, 113-114		
105129	127	14033	69, 129	228786	59-60	39474	78-79, 81-83, 85-86
105140	35-36	14297	39, 51, 53	230364	33		
105142	39	144009	121	232531	47	39509	83, 89
105150	47	144011	121	232534	51	39510	83, 89
105171	97	144027	121	232576	60	39520	51
105172	97	144028	121	232578	60	39521	51
105182	69	144029	121	232582	60	39540	39, 117
105183	69	144065	93, 95	233220	11-12	39542	41, 43
105184	69	144142	35-36	233221	11-12	39673	51
105185	69	144155	56	233222	11-12	39835	67, 71, 73, 75
105214	59-60	144161	91	233223	11-12	39873	111, 113-114
105218	123	144180	49	233224	11-12	39876	111, 113-114
105221	45	144204	83	233225	11-12	39877	105, 111, 113-114
105246	114	144206	82-83	233226	11-12		
105247	113-114	144208	78-79	233227	11-12	39878	109, 111, 113-114
105248	125, 127	144209	78-79	233366	47		
105258	113-114	144374	31, 33	233368	60	39881	111, 113-114
105261	35-36	144375	35-36	233370	60	39882	111, 113-114
105273	47	144381	35-36	233371	60	40434	11-12, 15, 17-18, 21-22, 25-26, 29
105280	69	144382	35-36	233430	60		
105319	45	144383	35-36	233431	60	40477	109
105322	55-56, 59-60	144385	35-36	233438	59-60	40833	45, 47, 55-56, 59-60
105328	56, 59-60	144387	35-36	233439	59-60		
105329	56, 59-60	144388	35-36	233440	59-60	40844	107
105334	49	144389	35-36	233782	59-60	41557-S	109, 133
105355	131	144391	35-36	233785	59-60	41630	77-79, 81-83, 85-86
105356	133	145284	45	234939	11-12		
105454	33	15086	33	234940	11-12	42079	31, 35-36
105457	101	160854	17-18	234941	11-12	42283	111
105458	103	160855	17-18	234942	11-12	4266	82-83, 86, 89
105462	101	160856	17-18	24514	78-79, 82-83, 86	43089	11-12, 17-18, 25-26
105463	103	160857	17-18	25388	91	43090	11-12, 17-18, 25-26
105543	109	160858	17-18	27903	119		
105544	109	160859	17-18	28164	11-12, 17-18, 25-26	43091	11-12, 17-18, 25-26
105545	109	160860	17-18			43093	11-12
105546	109	160861	17-18	28171	11-12, 17-18, 25-26	43617	11-12, 17-18, 25-26
105547	99	160863	21-22				
105553	99	160864	21-22	28174	11-12, 15, 17-18, 21-22, 25-26, 29		
105554	99	160865	21-22				
105555	99	160866	21-22	28175	11-12, 17-18, 25-26		
105564	109	160867	21-22				
105565	31, 33	160868	21-22				

Part Number	Page	Part Number	Page	Part Number	Page	Part Number	Page
43618	11-12, 15, 17-18, 21-22, 25-26, 29	48656	12, 15, 25-26	6356	45, 47, 51, 71, 73, 75, 95, 109, 133	75631	113-114
43619	11-12, 17-18, 25-26	48880	101, 103	64154	43, 123	76502	45, 47
43658	11-12, 15, 17-18, 21-22, 25-26, 29	48997	101, 103	65052	12, 17-18, 25-26	7713	77-79, 81-83, 85-86, 89, 125
43685	107	49612	101, 103	65057	12, 15	77709	101, 103
43696	11-12, 17-18, 25-26	49613	101, 103	65058	17-18, 21-22, 25-26, 29	78006	107
43956	60, 91	49812	107	65435	121	78038	78-79, 82-83, 86
44168	101, 103	49816	51, 117	65439	121	78086	41, 43
44169	101, 103	49818	47	6545	31, 33	78098	51, 59-60, 117
44171	103	50793	121	6564	41, 43	78313	51
44174	101, 103	51063	131, 133	65721	121	78422	99
44175	103	51075	55-56, 59-60	6595	91	78546	51
44207	99	51147	123, 125, 127	65962	101, 103	78622	99
44226	101, 103	51152	113-114	65963	103	78673	12, 15, 17-18, 21-22, 25-26, 29
44227	101, 109	51474	63	65990-S	82-83, 86, 89	78680	35-36
44229	101, 103	51577	51	66030	79, 83	78725	51
44230	101, 103	51578	51	66055	71, 73, 75	78732	35-36
44236	103	51860	93, 95	66094	47	78736	31, 33, 71, 73, 75
44255	12, 17-18, 25-26	5224	77-79, 81-83, 85-86, 89	66169	129	78864	111
44716	107	52475	12, 15, 17-18, 21-22, 25-26, 29	66171	129	78903H	97
44736	12, 17-18, 25-26	52972	12, 15, 25-26	66204	51	78904	93
44737	12, 17-18, 25-26	53500	113-114	66218	123, 125	79136	53
44743	78-79, 82-83, 86	53501	111	6626	91	79156	129
44750	107	5397	41, 43, 47, 82-83, 89	66353	91	79158	129
44751	107	55010	49	66355	91	79456	45
44752	107	55018	49	66356	91	81579	117
44753	12, 17-18, 25-26	55019	49	6637	39	8178	65, 67, 69, 82-83, 89
44777	107	55021	49	6638	31, 45, 51, 75, 82-83, 86, 89, 117, 123, 125, 131	82052	85-86
44778	107	55355	41, 43	66397	47	82053	86
44780	31, 33, 35-36	55558	109	66465	109	8225	83
44781	31, 33, 35-36	55560	109	66472	129	82269	15
44788	99	55675	47	66485	78-79, 82-83	82287	12, 15
44973	109	55726	123, 125, 127	66544	82-83, 86, 89	82307	17-18
44979	109	55747	123, 125, 127	6666	91	82366	12, 17-18, 25-26
44980	12, 15, 17-18, 21-22, 25-26, 29	55748	123, 125, 127	66685	93	82447	12, 17-18, 25-26
44981	12, 15, 17-18, 21-22, 25-26, 29	55917	31, 33	66692	35-36	82472	21-22
45071	31	55921	107	66717	45, 47	82474	15, 21-22, 29
45226	69, 71, 73, 75	56912	39, 51, 53, 127	66770	31, 33	82476	15, 21-22, 29
45351	111, 114	57075	91	66812	53, 93, 95	82481	15, 21-22, 29
45437	91	58000	65, 67, 69, 71, 73	66817	53, 93, 95	82485	12, 15
45454	119	58001	75	66818	53, 93, 95	82486	12, 15
45546	91	58592	31, 33, 71, 73, 75	66883	89	82487	15, 21-22, 29
45748	31, 65, 67, 69, 71, 73, 75	58973	117	66886	78-79	82488	15, 21-22, 29
46216	101	6002	77-79, 81-83, 85-86	66889	78-79	82495	15, 21-22, 29
46238	12, 17-18, 25-26	6019	41	66890	78-79	82496	15, 21-22
46260	77-79, 81-83, 85-86	6021	77-79, 81-83, 85-86, 93, 107	66903-S	89	82497	15, 21-22, 29
46262	12, 17-18, 25-26	60790	43, 75, 125	66909	117	82501	15
46287	17-18, 25-26	6090	45, 51, 127, 131	66920	86	82502	15, 21-22, 29
47098	78-79	6091	31, 33, 39, 45, 47, 51, 71, 73, 75, 82-83, 86, 89, 117, 133	66923	86	8255	31, 33, 78-79, 86, 93
47163	77-79, 81-83, 85-86	6097	31, 36, 41, 43, 77-79, 81-83, 85-86, 129	6700	43	82556	15
47188	81-83, 89	6115	131	6782	47, 121, 123, 125	82557	12, 17-18, 25-26
47224	83, 89	6145	75	6878	33, 39, 47, 53, 71, 75, 117, 131, 133	82558	12, 17-18, 25-26
47225	77-79, 81-83, 85-86	6146	131	6886	121	82559	12, 17-18, 25-26
47227	77-79, 81-83, 85-86	6178	39, 51, 117, 131, 133	6888	31, 51	82560	15, 29
47231	78-79, 82-83	6198	31, 33, 35-36, 63	6889	45, 47, 51	82561	12, 18, 25-26
47374	78-79, 81-83, 86	62053	12, 15	6898	43	82562	15, 21-22, 29
47548	31	62054	12, 15	69229	121	82563	12, 18
47662	55-56, 59-60	62055	17-18, 21-22	6935	91	82564	12
47666	65, 67, 69	62056	25-26	7056	91	82565	12
47675-S	117	62057	25-26	7127	91	82566	12
47946	33	62058	25-26, 29	71706	49	82567	12, 15, 18, 21-22, 25-26, 29
4828	36, 41, 43, 51, 65, 67, 69, 71,	6326	71, 73, 75	71911	131	82568	12, 15
				72326	39, 93, 95, 117	82569	12
				72853	12, 17-18, 25-26	82570	12, 15
				72878	129	82571	12, 15
				72970	12, 17-18, 25-26	82656	15, 21-22
				72973	17-18, 21-22	82657	12, 18, 25-26
				7339	95, 109, 133	82664	12, 15
				74267	47	82665	12, 15
						82668	15

## Part Number Index (continued)

Part Number	Page	Part Number	Page	Part Number	Page	Part Number	Page
82669	15	84683	82-83	96349	111	96642	41, 43
82693	18	84684	82-83	96350	111	96643	43
82694	18	84685	82-83	96351	111	96661	71, 73, 75
82695	18	84686	82-83	96352	111	96662	71, 73, 75
82699	21-22	84687	82-83	96353	111	96663	75
82701	21-22	84689	83	96354	111, 114	96668	93
82703	25-26	84690	82-83	96355	111, 114	96680	41
82704	25-26	84691	71, 73	96363	117	96697	111
82705	26, 29	84692	71, 73	96368	65, 67	96699	51
82710	26	84693	63	96369	65, 67	96700	75
82726	26	84694	63	96387	55-56	96709	51
82727	26	84695	63	96388	99	96731-S	119
82728	26	84696	71	96390	65, 69, 73	96735	71, 73, 75
82729	26	84697	82-83	96391	111	96744	113-114
82730	26	84699	33	96392	111	96745	113-114
82733	29	84739	105	96393	111	96746	113-114
82736	29	84740	105	96394	111	96747	113-114
82789	29	84742	105	96395	111	96748	113-114
82792	29	84743	105	96396	111	96749	113-114
82995	21-22, 29	84746	105	96397	113-114	96750	113-114
83093	53	84747	63	96398	111, 113-114	96755	39
8357	31, 33, 35-36	84748	105	96406	114	96770	109
84384	101, 103	8516	65, 67, 69, 71, 73, 75	96407	114	96786	71, 73, 75
84385	101, 103	85197	107	96408	41, 43	96787	71, 73, 75
84386	101	85239	53	96410-S	117	96812	75
84387	99	8914	117	96411	131	96819	55-56
84388	109	8915	47, 71, 73, 75	96413	77-79, 81-83, 85-86	96820	55-56, 59-60
84390	53	8916	31, 51, 71, 73, 75	96415	63	96829	131
84391	105	96008-S	53	96417	99	96836	71, 73, 75
84392	105	96010	53	96419	99	96839	41, 43
84394	105	96038	41	96420	93	96844	78-79
84395	105	96039	41	96422	41, 43	96852	55-56, 59-60
84398	51	96043	41	96423	33, 41, 43	96853	55-56, 59-60
84400	51	96068	31	96429	55-56, 59-60	96855	51
84422	109	96069	31	96440	55-56, 59-60	96856	55-56, 59-60
84514	103	96085	41	96452	53	96862	71, 73, 75
84516	85-86	96086	41	96457	123	96866	71, 73, 75
84517	85-86	96087	41	96459	55-56, 59-60	96870	39
84518	85-86	96103	39	96461	105	96872	133
84519	85-86	96113	45, 53	96465	35-36	96876	36
84520	85-86	96121	65, 67, 69	96466	35-36	96880	113-114
84521	85-86	96125	65, 67	96471	56, 59-60	96885	113-114
84522	85-86	96126	63	96472	12, 15, 18, 21-22, 26, 29	96886	35-36
84523	85-86	96127	65, 67	96473	56, 59-60	96887	36
84524	85-86	96130	65, 67, 69, 73	96474	56, 59-60	96898	125
84536	105	96131	65, 67, 69	96475	56, 59-60	96899	71, 73, 75
84539	105	96134	41	96476	56, 60	96900	71, 73, 75
84564	17-18, 25-26	96135	41, 43	96487	65, 67, 69	96903	75, 133
84567	85-86	96163	83, 89	96489	55-56, 59-60	96904	133
84568	85-86	96193	107	96493	39	96905	71, 73
84569	85-86	96215	51	96502	55-56, 59-60	96907	33
84571	31	96236	91	96504	131	96908	133
84574	41, 43	96239	63	96506	111	96932	71, 73, 75
84578	65	96246	78-79, 83, 86	96515-S	119	96933	133
84579	67, 69	96257	99	96516-S	119	96946	55-56
84580	67, 69	96258	31	96520	55-56, 59-60	96947	55-56, 60
84581	65, 67, 69	96283	65, 67, 69	96521	55-56, 59-60	96948	39, 131, 133
84582	65, 67, 69	96298	55-56	96522	55-56, 59-60	96950	123, 125, 127
84583	65, 67, 69	96299	55-56, 60	96524	41, 43	96971	75
84584	65, 67, 69	96300	55-56	96539	131	96977	35-36, 63
84585	65, 67, 69	96301	55-56, 60	96541	41, 43	96978	71, 73, 75
84586	78-79, 83, 86	96302	55-56, 60	96542	119	96990-S	119
84587	77-79, 81-83, 85-86	96303	55-56, 60	96543	119	96991-S	119
84588	78-79	96304	55-56, 60	96572	33	97013	97
84590	78-79, 82-83	96305	55-56	96573	33	97014	97
84659	111	96306	55-56, 60	96576	63	97015	97
84674	81-83	96307	55-56, 59-60	96595	63	97034	78-79
84675	81-83	96308	55-56, 59-60	96605	71, 73, 75	97041	78-79
84676	81-83	96309	55-56, 59-60	96611	71, 75	97044	81-83
84677	81-83	96317	41	96615	73	97059	49
84678	81-83	96321	35-36, 41	96616	73	97081	77-79
84679	82-83	96331	65, 67, 69	96637	43	97082	77-79
84680	82-83	96336	78-79	96638	43	97083	77-79
84681	82-83	96344	55-56, 59-60	96639	43	97084	77-79
84682	82-83	96348	111			97085	77-79
						97086	77-79

Part Number	Page	Part Number	Page
97087	77-79	97275	89
97088	77-79	97276	89
97089	77-79	97277	89
97090	77-79	97278	89
97091	77-79	97279	89
97092	77-79	97280	89
97093	77-79	97281	85-86
97094	77-79	97282	85-86
97095	77-79	97283	85-86
97096	77-79	97284	82-83
97097	77-79	97285	82-83
97098	77-79	97286	82-83
97099	77-79	97287	82-83
97100	77-79	97288	89
97101	77-79	97289	89
97102	77-79	97290	81-83
97103	77-79	97291	81-83
97104	77-79	97292	81-83
97105	89	97293	81-83
97106	78-79	97294	81-83
97107	78-79	97295	81-83
97108	78-79	97296	81-83
97109	78-79	97297	81-83
97110	82-83, 89	97298	81-83
97111	89	97299	81-83
97112	89	97300	81-83
97115	78-79	97301	81-83
97116	78-79	97302	81-83
97117	78-79	97303	81-83
97118	78-79	97304	81-83
97119	78-79	97305	81-83
97120	78-79	97582	21-22
97121	78-79	97662	26
97122	78-79	97663	26
97123	78-79	97683	21-22
97125	45	97684	21-22
97126	45	97685	21-22
97128	39, 131, 133	97686	21-22
97129	109	97692	18, 21-22
97130	109	97693	18, 22
97131	109	97694	18
97132	78-79	97712	12, 18, 25-26
97213	78-79	99089	51
97233	71	T108044	95
97234	71, 73, 75	T109012	51
97235	71, 73, 75	T110890	59-60
97236	71, 73, 75	T110891	59-60
97237	71, 73, 75	T112563	91
97238	71, 73, 75	T113787	78-79, 81-83,
97241	63		85-86
97242	85-86	T114691	53
97243	73		
97244	73		
97245	75		
97246	75		
97249	86		
97250	86		
97251	86		
97252	86		
97253	86		
97254	86		
97255	86		
97256	86		
97257	86		
97258	86		
97259	86		
97260	86		
97262	85-86		
97263	86		
97264	86		
97265	86		
97266	133		
97267	33		
97271	53		
97273	85-86		
97274	85-86		



## Part Description Index

The Part Description Index is an alphabetical index of all part descriptions included in this manual. The index shows what page(s) the part is used on.

**1**

126,DYN.BRAKING,MANIF,32/46.....103

**A**

ACCUMULATOR,180 PSI PRECHARGE\* .....99  
 AIR TO PLAT, GS15, ACC.....119  
 AIR TO PLAT, GS19, ACC.....119  
 AIR TO PLAT, GS20XX, ACC.....119  
 AIR TO PLAT, GS26XX, ACC.....119  
 AIR TO PLAT, GS3246, ACC.....119  
 ALARM ASSY,12VDC,ITT.....93, 95  
 ALARM,STEADY TONE\*\*\*.....39, 117  
 ASSY,RELAY HARNESS, CE.....55-56, 59-60  
 ASSY,DECAL PLATE,ANSI/CSA,GS32.....82-83  
 ASSY,DECAL PLATE,GS30,WORD.....78-79  
 ASSY,EXT. RIGID RAIL,GS32,WORD.....83  
 ASSY,GS BATTERY TRAY.....47  
 ASSY,LEVEL SENS HARNESS.....55-56, 59-60  
 ASSY,LEVEL SENS HARNESS,CE.....55-56, 59-60  
 ASSY,MAIN HARNESS,CE.....55-56, 59-60  
 ASSY,MOTOR CONTRL HARN,CE.....55-56  
 ASSY,MOTOR CONTROL HARNESS.....55-56, 59-60  
 ASSY,MOTOR CONTROL HARNESS,CE...59-60  
 ASSY,POT HOLE PUSHER,GS\*(MINI).....41  
 ASSY,POT HOLE PUSHER,GS\*\*\*.....41, 43  
 ASSY,POT HOLE HARNESS GS32/GS46...55-56, 59-60  
 ASSY,POT HOLE HARNESS,GS.....55-56, 59-60  
 ASSY,PRESS SW HARNESS.....55-56, 59-60  
 ASSY,RELAY HARNESS.....55-56, 59-60  
 ASSY,SWITCH,TOGGLE,SPDT\*\*\*\*\*.....53  
 ASSY,UP-LIMIT SW HARNESS.....55-56, 59-60

**B**

BALL STUD, GAS STRUT, 3/8-16.....41, 43  
 BAND KIT,5.6" DIA MOTOR\*\*\*.....107  
 BAR, CABLEBRIDGE, LONG.....71, 73, 75  
 BASE WITH 1 NC CONTACT, E-STOP.....53, 93, 95  
 BATTERY TRAY ASSY W/SYMBOLS\*\*\*.....45  
 BATTERY TRAY ASSY W/WORDS\*\*\*.....45  
 BATTERY,MAINTENANCE FREE,6V\*\*\*.....47  
 BATTERY,T105 W/LPT,3 CAP,DRY\*\*.....45, 47  
 BEACON ACC,STANDARD.....117  
 BEARING, BALL, 1.13X.375X.375.....41  
 BEARING,0.75IDX1.00ODX0.75L.....63  
 BEARING,0.75IDX1.00ODX1.38L.....41, 43  
 BEARING,1.00IDX1.25ODX0.49L.....33  
 BEARING,1.00IDX1.25ODX0.75L.....63  
 BEARING,1.26IDX1.53ODX1.25L.....65, 67, 69  
 BEARING,1.50IDX1.77ODX1.25L.....71, 73, 75  
 BEARING,1.523IDX1.75ODX0.63L.....41, 43  
 BEARING,1.5IDX1.75ODX1.5L.....31  
 BEARING,2.25IDX2.50ODX1.50L\*.....33  
 BEARING,FL,0.75ID X 1 OD X .49.....31  
 BEARING,MOTOR.....107  
 BEARING,MOTOR,36843,BRUSH END\*.....107

BOLT,CARRIAGE,1/2-13X1.50,GR5.....35-36, 63  
 BOLT,CARRIAGE,1/4-20 X .75,G2.....33, 39, 47, 53, 71, 75, 117, 131, 133  
 BOLT,CARRIAGE,1/4-20 X 1.00,G2.....45  
 BOLT,CARRIAGE,1/4-20 X 1.25,G2.....31, 51, 71, 73, 75  
 BOLT,CARRIAGE,1/4-20 X 2.5,G2.....71, 73  
 BOLT,CARRIAGE,1/4-20 X 3.50,G2.....75, 133  
 BOLT,CARRIAGE,3/8-16 X1.00,G5.....43, 123  
 BOLT,CARRIAGE,3/8-16 X1.50,G5.....43, 75, 125  
 BOLT,CARRIAGE,3/8-16X1.25,GR5.....36, 71, 73, 75  
 BOLT,CARRIAGE,5/16-18 X 1.0,G2.....123, 125  
 BOLT,CARRIAGE,5/16-18 X 2.0,G2.....121  
 BOOT, JOYSTICK~.....97  
 BOOT,CABLE TERMINAL,LG,RED,2/0.....123, 125, 127  
 BOOT,CABLE TERMINAL,SMALL.....123, 125, 127  
 BOOT,THUMB ROCKER\*\*\*.....97  
 BOX,INSTRUCTION STORAGE.....78-79, 82-83, 86  
 BRACKET,PLAT CONTROL BOX SLAB.....93  
 BRACKET,TRAY LATCH.....45, 53  
 BRAKE,HYDRAULIC\*\*\*.....99  
 BREATHER CAP,HYD. TANK,1/4 NPT.....51  
 BRUSH,PWR UNIT (40844)\*\*.....107  
 BUCKLE & SLIDE STRAP SET.....129  
 BUCKLE,SIDE RELEASE.....129  
 BUTTON, .800 O.D. X .281.....77-79, 81-83, 85-86  
 BUTTON,PUSH,RED MUSHROOM HEAD.....53, 93, 95

**C**

CABLE ASSY, BATT, 23"RD.....60  
 CABLE ASSY, BATT,19"AND.BLK.....55-56  
 CABLE ASSY, BATT,69" RED.....60  
 CABLE ASSY, INVERTER.....55-56, 59-60  
 CABLE ASSY,BATT, 12" RED.....60  
 CABLE ASSY,BATT, 20" BLK.....60  
 CABLE ASSY,BATT, 7.50" BLACK.....55-56, 60  
 CABLE ASSY,BATT, 7.50" RED.....55-56, 60  
 CABLE ASSY,BATT,22.0" RED.....55-56  
 CABLE ASSY,BATT,38",AND. BLK.....55-56  
 CABLE ASSY,BATT,38",AND. BLK\*\*.....60  
 CABLE ASSY,BATT,5.50"RED.....55-56, 60  
 CABLE ASSY,BATT,7.50",AND. RED.....55-56  
 CABLE ASSY,BATT,83"RED.....60  
 CABLE ASSY,BATT,9.50"RED.....55-56, 60  
 CABLE ASSY, BATT. 12" BLACK.....60  
 CABLE ASSY, BATT. 14" RED.....60  
 CABLE ASSY, BATT. 81" RED.....60  
 CABLE ASSY, BATT. 85" BLACK.....60  
 CABLE ASSY, BATT. 89" RED.....60  
 CABLE ASSY, BATT. 93" BLACK.....60  
 CABLE ASSY,BATT.75",AND.RED.....55-56  
 CABLE ASSY,BATT.75".AND.BLK.....55-56, 60  
 CABLE ASSY,BATT.90".AND.BLK.....55-56, 60  
 CABLE ASSY,BATT.90".AND.RED.....55-56  
 CABLE BRACKET,PAINTED.....109, 133  
 CABLE TIE MOUNT, WINGED.....59-60

CABLE TIE,11.5" BLACK.....81-83, 89, 109, 119, 121  
 CABLE,EMERGENCY DOWN.....39  
 CAM FOLLOWER,1.125X.375,DELRLN.....41, 43  
 CAP, TUBE, SQ,1.25 X .083.....78-79, 82-83, 86  
 CAP,DIAGNOSTIC NIPPLE.....101, 103  
 CAPACITOR,4700MFD 25V.....51  
 CE CONTROL HARNESS, SLAB.....55-56, 59-60  
 CE POINTER REPL KIT, GS32/46.....133  
 CHAIN GATE ASSY, COM GS32.....81-83  
 CHAIN GATE KIT,GS30.....89  
 CHAIN,3/16,OPEN LINK 22.5".....83, 89  
 CHANNEL,PIPE RACK.....129  
 CHARGER,BAT,24VDC,H/LO GEN2.....49  
 CHASSIS MOUNT ASSY, GS30.....63  
 CHASSIS MOUNT ASSY, GS32&46.....63  
 CHECK DISK, NO SPRING.....101  
 CIRCUIT BREAKER,7.0 AMP\*\*\*.....53  
 CLAMP,1.31,#21 X 1/4,RUB CUSH.....121  
 CLAMP2 HOSE,PLASTIC,5/8.....31, 33, 71, 73, 75  
 CLAMP,HOSE,1 EAR, 11/16.....109  
 CLAMP,HOSE,1 EAR,1-1/16\*\*\*.....51  
 CLAMP,MUFFLER, 2.50 INCH.....131  
 CLAMP,RUB CUSH,0.75,#12 X 3/8\*.....119  
 CLEAR SWITCH ACTUATOR.....95  
 CLEAR SWITCH ACTUATOR(QTY 10).....95  
 CLIP, CABLEBRIDGE.....71, 73, 75  
 CLIP, CABLEBRIDGE, MINI.....69  
 CLIP,HAIR PIN .125 X 2.....31, 33  
 CLIP,TIE HARNESS MOUNT\*\*\*.....59-60  
 COIL CORD,WORKLIGHT(144011).....121  
 COIL,#8 20VDC,DEUTSCH W/DIODE.....101, 103  
 COIL,20VDC DEUTCSH W/DIODE.....101, 103  
 COIL-SOLENOID VALVE,20V DC\*\*\*.....109  
 CONN,SQUEEZE,1/2NPT .38-.50,SM.....91  
 CONN,SWIVEL,STR,THR,465OX-S...113-114  
 CONNECTOR, 070120-12-8.....111, 113-114  
 CONNECTOR, 070120-8-8.....113-114  
 CONNECTOR, IEC CHARGER CORD.....49  
 CONNECTOR,070120-4-4.....105, 111, 113-114  
 CONNECTOR,070120-4-6.....111, 113-114  
 CONNECTOR,070120-6-6.....109, 111, 113-114  
 CONNECTOR,070120-8-6.....111  
 CONTACT,14-20GA.....51  
 CONTACT,NC.....53, 93, 95  
 CONTACTOR,DRIVE,24V,180A\*\*\*.....47  
 CONTACTOR,LIMIT SWITCH.....39, 131, 133  
 COUNTERWEIGHT, BELLY.....36  
 COUNTERWEIGHT,CAST,CE,1930/32.....35-36  
 COUNTERWEIGHT,GS32,REAR.....35-36  
 COUNTERWEIGHT,REAR GS\*\*\*.....35-36  
 COUNTERWEIGHT,SVC,GSXX32.....35-36  
 COUPLER,1/4"SERIES,3/8 P-LOK.....119  
 COVER BOTTOM GEN 5.....95  
 COVER,BLANK.....91  
 COVER,GFCI,WEATHERPROOF.....91  
 COVER-BRUSH INSPEC.40844,SCISS.....107  
 CWT, REAR, XX46.....36  
 CYLINDER, 20XX LIFT.....109

CYLINDER, 26XX/32XX LIFT.....109	DECAL,COSMETIC,GENIE GS-2032...17-18,	DECAL,LABEL,FAULT CODES.....12, 17-18,
CYLINDER, 32XX UPPER LIFT.....109	21-22	25-26
CYLINDER, MINI LIFT.....109	DECAL,COSMETIC,GENIE GS-2046**.....25-	DECAL,LABEL,LED READOUT.....15, 21-22,
CYLINDER,GS/GR STEER***.....99	26	29
	DECAL,COSMETIC,GENIE GS-2632**.....17-	DECAL,LABEL,MANUAL NOT HERE...11-12,
	18, 21-22	17-18, 25-26
	DECAL,COSMETIC,GENIE GS-2646.....25-26	DECAL,LABEL,PATENTS.....11-12, 15, 17-18,
	DECAL,COSMETIC,GENIE GS-3246...25-26,	21-22, 25-26, 29
	29	DECAL,LABEL,PLAT CONT LOCATION.....12,
	DECAL,DANGER DO NOT ALTER	17-18, 25-26
	SWTC.....11-12, 17-18, 25-26	DECAL,LABEL,PWR TO CHARGR 115V....12,
	DECAL,DANGER,BATTERY SAFETY.....12,	15, 17-18, 21-22, 25-26, 29
	17-18, 25-26	DECAL,LABEL,PWR TO CHARGR 230V....11-
	DECAL,DANGER,BRAKE REL SAFETY.....12	12, 15, 17-18, 21-22, 25-26, 29
	DECAL,DANGER,BRAKE REL SAFETY*....12,	DECAL,LABEL,SAFETY ARM...11-12, 17-18,
	18, 25-26	25-26
	DECAL,DANGER,CRUSHING HAZARD.....12,	DECAL,LABEL,TIRE SPECS.....11-12
	17-18, 25-26	DECAL,LABEL,TRANSPORT TIEDOWN*..12,
	DECAL,DANGER,ELEC HAZARD,GS.....11-	15, 17-18, 21-22, 25-26, 29
	12, 17-18, 25-26	DECAL,LABEL,WHEEL LOAD 1530.....12, 15
	D E C A L , D A N G E R , E L E C T	DECAL,LABEL,WHEEL LOAD 1930.....12, 15
	HAZARD,PLUG.....11-12, 17-18, 25-26	DECAL,LABEL,WHEEL LOAD 19XX.....12, 15
	DECAL,DANGER,GENERAL SAFETY.....11-	DECAL,LABEL,WHEEL LOAD 2032.....18, 21-
	12, 17-18, 25-26	22
	DECAL,DANGER,IMPROPER USE HAZ.....12,	DECAL,LABEL,WHEEL LOAD 2046.....25-26
	17-18, 25-26	DECAL,LABEL,WHEEL LOAD 2632.....18, 22
	DECAL,DANGER,NO SMOKING***.....11-12,	DECAL,LABEL,WHEEL LOAD 2646.....25-26
	17-18, 25-26	DECAL,LABEL,WHEEL LOAD 3246.....26, 29
	DECAL,DANGER,TIP-OVER,BATTERY.....11-	DECAL,LABEL-DIRECTION ARROWS.....11-
	12, 17-18, 25-26	12, 15, 17-18, 21-22, 25-26, 29
	DECAL,DANGER,TIP-OVER,TILT.....12, 17-	DECAL,LABEL-TIRE SPECS.....17-18, 25-26
	18, 25-26	DECAL,LABEL-WHEEL LOAD 1530/32.....12,
	DECAL,DANGER,TIP-OVER,TRAYS.....12, 17-	15
	18, 25-26	DECAL,LANYARD ANCHORAGE POINT...11-
	DECAL,DANGER-USE SAFETY ARM.....12,	12, 15, 17-18, 21-22, 25-26, 29
	18, 25-26	DECAL,NOTICE, OPER INST, PCP.....11-12,
	DECAL,INSTR,INDOOR,AUS-26/3232.....17-	17-18, 25-26
	18	DECAL,NOTICE,ERROR LIGHT.....12, 17-18,
	DECAL,INSTR-MANUAL FRC,AUS.....12	25-26
	DECAL,INSTR-MANUALFRC,AUS 2032.....18	DECAL,NOTICE,HAZARDOUS MAT'LS* ....11-
	DECAL,INSTR-MANUALFRC,AUS 3246.....26	12, 17-18, 25-26
	DECAL,INSTR-MANUALFRC,AUS 400N.....26	DECAL,POWER TO PLATFORM 115V.....11-
	DECAL,INSTR-MAX CAP 1200LBS.....26	12, 15, 17-18, 21-22, 25-26, 29
	DECAL,INSTR-MAX CAP 500 LBS.....12, 18	DECAL,POWER TO PLATFORM 230V.....11-
	DECAL,INSTR-MAX CAP 600LBS.....12	12, 15, 17-18, 21-22, 25-26, 29
	DECAL,INSTR-MAX CAP 700LBS.....26	DECAL,SKIN INJECTION.....12, 17-18, 25-26
	DECAL,INSTR-MAX CAP 800 LBS.....18	DECAL,SYM-MAX CAP CE GS3246.....29
	DECAL,INSTR-SIDE FRC,ANSI.....12, 18	DECAL,SYM-MAXCAP 500.....15, 21-22
	DECAL,INSTR-SIDE FRC,ANSI 2032.....18	DECAL,SYM-MAXCAP 600.....15
	DECAL,INSTR-SIDE FRC,ANSI 2046.....26	DECAL,SYM-MAXCAP 700.....29
	DECAL,INSTR-SIDE FRC,ANSI 3246.....26	DECAL,SYM-MAXCAP 800.....21-22
	D E C A L , I N S T R U C T , B A T T E R Y	DECAL,SYM-MAXCAP CE GS15XX.....12, 15
	CONNECT.....12, 18, 25-26	DECAL,SYM-MAXCAP CE GS19XX.....12, 15
	DECAL,INSTRUCT,MAXCAP1000LBS.....26	DECAL,SYM-MAXCAP CE GS2032.....21-22
	DECAL,INSTRUCT-ANNUAL INSP REQ.....12,	DECAL,SYM-MAXCAP CE GS2632.....21-22
	17-18, 25-26	DECAL,SYM-SIDE FORCE 3246.....29
	DECAL,INSTRUCTIONS-CHARGER OP....12,	DECAL,SYM-SIDE FORCE 445N.....15, 21-22
	17-18, 25-26	DECAL,SYM-SIDE FORCE 534N.....21-22
	DECAL,INSTRUCTIONS-OPER,GCP...11-12,	DECAL,SYM-SIDEFORCE 200400.....15, 21-
	17-18, 25-26	22, 29
	DECAL,LABEL,AIRLINE 110 PSI....12, 15, 17-	DECAL,SYM-SIDEFORCE 400N ID.....21-22
	18, 21-22, 25-26, 29	DECAL,SYMBOL-BATTERY SAFETY.....15,
	DECAL,LABEL,CAP IND CE GS15XX.....15	21-22, 29
	DECAL,LABEL,CAP IND CE GS2032.....21-22	DECAL,SYMBOL-BRAKE REL SAFETY....15,
	DECAL,LABEL,CAP IND CE GS3246.....29	21-22, 29
	DECAL,LABEL,CAP IND CE19XX.....15	DECAL,SYMBOL-CRUSHING HAZARD.....15,
	DECAL,LABEL,CAP IND CE2632.....21-22	21-22, 29
	DECAL,LABEL,ERROR LIGHT.....15, 21-22,	DECAL,SYMBOL-ELEC HAZARD,GS.....15,
	29	21-22, 29

## Part Description Index (continued)

- DECAL,SYMBOL-READ THE MANUAL.....15, 21-22, 29  
 DECAL,SYMBOL-SKIN INJECT HAZRD....15, 29  
 DECAL,SYMBOL-USE SAFETY ARM.....15, 21-22, 29  
 DECAL,WARN,IMPROPER OPERATION...11-12, 17-18, 25-26  
 DECAL,WARNING,CRUSHING HAZARD...21-22  
 DIAGNOSTIC FEMALE Q-DSCNT.....101, 103  
 DRIVE MOTOR,18.3 CU. IN/REV.....99
- E**
- ECU,SLAB,GEN4\*\*\*.....51  
 ECU,SLAB/GR GEN 5\*\*\*.....51  
 ELBOW,070220-12-10.....111, 113-114  
 ELBOW,070220-4-4.....111, 113-114  
 ELBOW,070220-6-6.....111, 113-114  
 ELBOW,070220-6-8.....111, 113-114  
 ELBOW,070320-4-4.....111, 114  
 ELBOW,070320-6-6.....111  
 ENCLOSURE GEN 5.....95  
 ENTRY SWING TUBE.....78-79  
 EXT FLDG RAIL ASSY, UPR, 32, S.....82-83  
 EXT FLDG RAIL ASSY,UPR,32,WO\*\*.....82-83  
 EXT RAIL ASSY, UPPER, GS30.....78-79  
 EXT RIGID RAIL ASSY, GS32 SYMB.....83  
 EXT. DECK ASSY, GS32.....82-83  
 EXT. DECK ASSY, GS32 CE.....82-83  
 EXT. DECK ASSY, GS46.....86  
 EXT. ENDRAIL ASSY, GS46 (SYMB).....86  
 EXT. ENDRAIL ASSY, GS46 (WORD).....86
- F**
- FILLER CAP(PLUG 1-1/2" NPT HEX.....51  
 FILTER ASSY,SAE8,10 MIC,PAPR\*\*.....99  
 FILTER ELEMENT,10MICRON,PAPER\*.....99  
 FILTER ELEMENT,BETA(10)=200.....99  
 Fitting.....111  
 FITTING,STRAIGHT DRIVE-IN ZERK.....31, 33  
 FIXED RAILS ASSY, GS30 SYMBOL.....78-79  
 FIXED RAILS ASSY,GS30 WORD.....78-79  
 FOAM,CLOSED CELL 1.75X.250X18".....81-83, 89  
 FOOTPEDAL W/NON-SKID TAPE,GS.....77-79, 81-83, 85-86  
 FORMING, CWT CLAMP.....35-36  
 FORMING, HALF GATE HINGE.....89  
 FORMING, HALF GATE, HINGE.....82-83  
 FORMING, INVERTER SUPPORT.....123  
 FORMING, PIPE HOLDER RACK.....129  
 FORMING, POINTER.....133  
 FORMING,ALARM BRACKET.....39  
 FORMING,BRKT,UP LIMIT SW.....131  
 FORMING,CB HOSE CLAMP.....75  
 FORMING,CONTACTOR MOUNT,GS.....47  
 FORMING,CONTROL BRKT.....39  
 FORMING,CWT,COVER,GS32.....35-36  
 FORMING,FILTER-CNTRLR MOUNT.....51  
 FORMING,FUSE BRACKET.....45  
 FORMING,HOSE CLAMP SPT,PTD,BLU.....33  
 FORMING,HOSE CLAMP SUPPORT.....31  
 FORMING,HOSE CLAMP,UPPER CYL.....75  
 FORMING,INVERTER MOUNT.....125  
 FORMING,LOAD DECAL.....131  
 FORMING,PADLOCK BRACKET.....107  
 FORMING,PH PUSHER, GS46.....71, 73, 75
- FORMING,PIPE RACK BASE, GS68.....129  
 FORMING,PLAT CONTR MOUNT.....93  
 FORMING,PLATFORM CONTROL BOX.....95  
 FORMING,POINTER,1532,LOAD SENS.....131  
 FORMING,POINTER,1932,LOAD SENS.....131  
 FORMING,PRESSURE SW. MOUNT.....133  
 FORMING,UP LMT SW BRKT,32/46.....133  
 FUSE BLOCK, ANN & ANL FUSE.....45, 47  
 FUSE HOLDER,INLINE,GS.....123, 125, 127  
 FUSE,13 AMP,220V PLUG.....91  
 FUSE,275 AMP,VERY FAST ACTING.....45, 47, 55-56, 59-60  
 FUSE,50 AMP.....123, 125, 127  
 FUSE,BATTERY CHARGER\*\*\*.....49
- G**
- GAS SHOCK,SCISSORS\*\*\*.....41, 43  
 GASKET, UK & DIN PWR. TO PLAT.....91  
 GASKET, UK RECEPTACLE.....91  
 GREASE,DIELECTRIC,TUBE.....56  
 GRND CNTRL PANEL ASSY,2003MINI.....53  
 GROMMET,SLAB HYD TANK\*\*\*.....51  
 GROUND STRAP, 8"LG.....43  
 GROUND STRAP,12"LG\*\*\*.....41  
 GROUND WIRE ASSY,GS.....60  
 GS30 RIDGID MAIN SIDE SQ RAIL.....78-79
- H**
- HANDLE, LATCH, TRAY.....45  
 HANDLE,ANDERSON CONNECTOR SB...107  
 HARNESS ASSEMBLY, INVERTER.....55-56, 59-60  
 HARNESS ASSY, MAIN.....55-56, 59-60  
 HARNESS, BEACON RESISTOR KIT,.....59-60  
 HARNESS, GS POWER CONTRL.....59-60  
 HARNESS, GS SENSORS, ANSI.....59-60  
 HARNESS, GS SENSORS, CE.....59-60  
 HARNESS,ALARM ACCESSORY.....55-56, 59-60  
 HARNESS,BEACON OPTION,SLAB.....55-56, 59-60  
 HARNESS,LIFT CYL DN COIL.....55-56  
 HARNESS,LIFT CYL DOWN,S20/2646.....55-56  
 HARNESS,LIFT CYL DOWN,S3246.....55-56  
 HINGE, ACCESS DOOR GS68.....53  
 HINGE, SPRING, LONG LEG.....82-83, 86, 89  
 HORN HARNESS.....55-56, 59-60  
 HORN,24VDC,SPADE TERMINALS\*\*\*.....117  
 HOSE ASSY, DRIVE MOTORS, GS32.....113-114  
 HOSE ASSY, DRIVE MOTORS, GS46.....113-114  
 HOSE ASSY, MAN/ACCUM, GS32/46.....114  
 HOSE ASSY, MAN/ACCUM, MINI.....111  
 HOSE ASSY,LOWER LIFT.....113-114  
 HOSE CLAMP, SAE #6.....114  
 HOSE END 90,JIC 33982-6-6.....114  
 HOSE END, MALE JIC, 30382-6-6B.....114  
 HOSE END,BARBED,SWIVEL,JIC,6-6.....114  
 HOSE, ASSY.....111  
 HOSE, ASSY, BRAKE.....111, 113-114  
 HOSE, ASSY, BRAKE MAN, GS32.....113-114  
 HOSE, ASSY, BRAKE MAN, GS46.....113-114  
 HOSE, ASSY, LIFT.....113-114  
 HOSE, ASSY, LOWER LIFT.....111  
 HOSE, ASSY, LOWER VENT.....111
- HOSE, ASSY, MAN TO FILTER.....111, 113-114  
 HOSE, ASSY, MOTOR CROSSOVER.....111  
 HOSE, ASSY, PRESSURE.....111, 113-114  
 HOSE, ASSY, RIGHT BRAKE.....111  
 HOSE, ASSY, STEER.....111, 113-114  
 HOSE, ASSY, UPPER LIFT.....111  
 HOSE, ASSY, UPPER VENT.....35-36, 111  
 HOSE,AIR 3/8.....113-114  
 HOSE,ASSY,DRIVE MOTORS, 32IN.....111  
 HOSE,ASSY,DRIVE MOTORS,MINI.....111  
 HOSE,ASSY,UPPER LIFT.....113-114  
 HOSE,LOW PRESSURE,,375 ID,BLK.....119  
 HOUR METER,10-80 VOLTS\*\*\*.....53  
 HOUSING,LOCK PIN.....77-79, 81-83, 85-86  
 HRNS ASSY,RESISTOR,200 OHM.....59-60  
 HRNS,CONTACTOR SIGNAL,GS46.....60  
 HRNS,CONTACTOR SIGNAL,GS30/32.....60  
 HRNS,LIFT CYL DOWN,20/26XX,CE.....59-60  
 HRNS,LIFT CYL DOWN,32XX,CE.....59-60  
 HRNS,LIFT CYL DOWN,MINI,CE.....59-60  
 HYD. TANK KIT, GS30,32,46.....51  
 HYDR TRAY ASSY W SYMBOLS 30MIN.....51  
 HYDR TRAY ASSY W/WORDS,2003MIN.....51
- I**
- INNER ARM ASSY #1, GS32&46, SY...71, 73, 75  
 INNER ARM ASSY #1, GS32&46, WO.....71, 73, 75  
 INNER ARM ASSY #3, 2632/2646.....73  
 INNER ARM ASSY #4, 2646.....73  
 INNER ARM ASSY #4, 3246.....75  
 INNER ARM ASSY #5, 3246.....75  
 INNER ARM ASSY#1,15&19FT,SYMB.....69  
 INNER ARM ASSY#1,15&19FT,WORD.....69  
 INNER ARM ASSY, #2, GS32&46.....71, 73, 75  
 INNER ARM ASSY, #3, 19FT.....67, 69  
 INNER ARM ASSY, #3, 2046.....71  
 INNER ARM ASSY,#1,15&19FT SYMB.....65, 67, 69  
 INNER ARM ASSY,#1,15&19FT WORD.....65, 67, 69  
 INNER ARM ASSY,#2,15/19 FT,WRD.....65, 67, 69  
 INNER ARM ASSY,#3 GS2032.....71  
 INNER ARM ASSY,#3,15FT.....65  
 INNER ARM ASSY,#4 19FT.....67, 69  
 INVERT.OPTION,GENIE GS30/1532.....123  
 INVERTER,24VDC,110/230 VAC\*\*\*.....123, 125, 127
- J**
- JOYSTICK HANDLE SET, COMPLETE.....97  
 JOYSTICK,SINGL AXIS,HALL,SLAB.....97  
 JOYSTICK,SINGL AXIS,HALL,SLAB\*.....97
- K**
- KEY SINGLE\*\*\*.....53  
 KEY,RECTANGULAR,,31X.28X1.25\*\*.....31, 33, 35-36  
 KEYS,10 PACK\*\*\*.....53  
 KEYSWITCH,3 POS. W/KEYS\*\*\*.....53  
 KIT, HOSE & FIT. RETURN, GS30.....111  
 KIT, MALE RECEPTACLE, DTM.....56, 59-60  
 KIT, PLATFORM PC RECEPT/SOC.....97  
 KIT,BATT. CABLE ASSY.,GS30/32.....60  
 KIT,BATT. CABLE ASSY.,GS46.....60

KIT,BATTERY CHARGER,24V.....49  
 KIT,BEACON,GS32/46.....117  
 KIT,CONTACTOR,GS.....51  
 KIT,CONTACTOR,GS,ALT,W INV,CTR.....51  
 KIT,CONTACTOR,W INV.....51  
 KIT,DYN BRAKING VALVE,32/46.....103  
 KIT,DYN BRAKING VALVE,MINI.....101  
 KIT,DYN.BRAKING MANIF,MINI.....101  
 KIT,FEMALE PLUG, DTM.....56, 59-60  
 KIT,GASKET,UK POWER TO PLAT.....91  
 KIT,GATE LATCH.....82-83, 86, 89  
 KIT,GEN 5 COIL CORD.....93, 95  
 KIT,HYD TANK MTG HARDWARE.....51  
 KIT,JOYSTICK ENABLE SWITCH.....97  
 KIT,JOYSTICK STEER SWITCH.....97  
 KIT,MTR CNTL.REPLACEMENT,GS46%.....51  
 KIT,MTR CNTRLR REPLACEMENTGS30%.....51  
 KIT,PRESS SWITCH RPLCMNT,MINI\*.....131  
 KIT,PRESS SWTH RPLMNT,GS32/46\*.....133  
 KIT,STEER CYL SEAL,040271P,HDM.....99  
 KIT,STEER CYL SEAL,040499P,HDM.....99  
 KIT,STEER CYL SEAL,040505P,HDM.....99  
 KNOB,HAND PUMP (RED)\*\*\*.....105  
 KNOB,PILOT OP VALVE (BLACK)\*\*\*.....105

**L**

LADDER ASSY,20XX,SYM.....35-36  
 LADDER ASSY,20XX,WORD,AUS,ENG.....35-36  
 LADDER ASSY,20XX,WORD,FR.....35-36  
 LADDER ASSY,26XX-32XX,SYM.....35-36  
 LADDER ASSY,26XX-32XX,WORD,ENG.....35-36  
 LADDER ASSY,26XX-32XX,WORD,FR.....35-36  
 LADDER ASSY,GS30,WORD,ENG.....35-36  
 LADDER ASSY,WORD,20XX,ENG.....35-36  
 LADR ASSY,26XX-32XX,WORD,AUS,E.....35-36  
 LANYARD ROLLER BRKT ASSY W/DEC...78-79, 83, 86  
 LATCH HANDLE.....82-83, 86, 89  
 LATCH, LRG PADDLE HANDLE GS90.....47  
 LATCH,BATT/HYDR TRAY\*\*\*.....45  
 LEFT EX. RAIL, GS46.....86  
 LEVEL SENSOR,LS60,RED,1.5X3\*.....39  
 LIGHT,REPLACEMENT BULB (39676).....117  
 LINE,HYD,PRESS SW.....111  
 LINK BUMPER.....65, 67, 69  
 LINK BUMPER, 5".....71, 73, 75  
 LINK BUMPER, SHORT TUBE.....71, 73, 75  
 LINK, OPEN-END.....83, 89  
 LOCK, CONNECTOR.....49  
 LOCKNUT,ELEC,1/2".....91

**M**

MAIN DECK ASSY, 2046 (SYMBOL).....86  
 MAIN DECK ASSY, 2046 (WORD).....86  
 MAIN DECK ASSY, 2046, CE.....86  
 MAIN DECK ASSY, 2646 (SYMBOL).....86  
 MAIN DECK ASSY, 2646 (WORD).....86  
 MAIN DECK ASSY, 2646, CE.....86  
 MAIN DECK ASSY, 3246 (SYMBOL).....86  
 MAIN DECK ASSY, 3246 (WORD).....86  
 MAIN DECK ASSY, 3246, CE.....86  
 MAIN DECK ASSY, GS2032 AU WORD.....82-83

MAIN DECK ASSY, GS2032 CE SYMB.....81-83  
 MAIN DECK ASSY, GS2032 SYMBOL.....81-83  
 MAIN DECK ASSY, GS2032 WORD.....81-83  
 MAIN DECK ASSY, GS2632 AU WORD.....82-83  
 MAIN DECK ASSY, GS2632 CE SYMB.....82-83  
 MAIN DECK ASSY, GS2632 SYMBOL.....81-83  
 MAIN DECK ASSY, GS2632 WORD.....81-83  
 MAIN FLDG RAIL ASSY, LWR, GS32.....82-83  
 MAIN FLDG RAIL ASSY,UPR L,GS32.....82-83  
 MAIN FLDG RAIL ASSY,UPR RT,32.....82-83  
 MAIN RAIL RIGID, SQ GS32.....81-83  
 MAIN RAIL, FOLDING, GS30.....78-79  
 MANIFOLD DOOR ASSY, GS46.....53  
 MANIFOLD,BRAKE RELEASE.....105  
 MANUAL BOX W/DECALS\*\*\*.....78-79, 82-83, 86  
 MANUAL,OWNERS,CHARGER,105739.....49  
 MOTOR COVER,PLASTIC-DPL\*\*.....83  
 MOTOR,ELECTRIC,24VDC 4.5HP.....107  
 MOTOR,HYDRAULIC,530,14.0CU.IN\*.....99

**N**

NEEDLE/HOUSING ASSY W/KNOB\*\*\*.....105  
 NIPPLE,DIAGNOSTIC,#4 PORT\*\*\*.....101, 103  
 NOTICE,SIDE FRC ANSI2646.....26  
 NUT - PLASTIC,RING FOR ALARMS...39, 93, 95, 117  
 NUT,CASTLE,1.125-18 UNEF.....31, 33, 35-36  
 NUT,COIL (39909).....109  
 NUT,LOCKING-LG.FLANGE,1/4-20.....45, 53, 71, 73, 75, 127, 131  
 NUT,LOCKING-LG.FLANGE,5/16-18.....47  
 NUT,LP NYLOCK,1/4-20.....45, 47, 51  
 NUT,LP NYLOCK,3/8-16.....77-79, 81-83, 85-86, 89, 125  
 NUT,LP NYLOCK,5/16-18...77-79, 81-83, 85-86  
 NUT,NYLOCK,1/2-13.....31, 33, 35-36, 63  
 NUT,NYLOCK,1/4-20.....31, 33, 39, 45, 47, 51, 71, 73, 75, 82-83, 86, 89, 117, 133  
 NUT,NYLOCK,10-32.....39, 51, 117, 131, 133  
 NUT,NYLOCK,3/8-16.....36, 41, 43, 51, 65, 67, 69, 71, 73, 75, 82-83, 86, 89, 123, 129  
 NUT,NYLOCK,5/16-18.....47, 121, 123, 125  
 NUT,RETAINER (96008).....53  
 NUT,WING 5/16-18.....121  
 NUT-COIL SHORT.....101, 103  
 NUT-THIN HEAVY HEX, 1/4-20.....47

**O**

O-RING KIT (ORFS FITTINGS).....101, 103  
 O-RING-4.....113-114  
 O-RING-6.....111  
 O/R SYSTEM HARNESS, CE.....59-60  
 ORIFICE,LONG, .037\*\*\*.....109  
 ORIFICE,LONG, .059".....109  
 OUTER ARM ASSY #1, GS46 WORD.....71, 73, 75  
 OUTER ARM ASSY #1, GS46, SYMBO.....71, 73, 75  
 OUTER ARM ASSY#1,15&19FT WORD.....65, 67, 69

OUTER ARM ASSY,#1, GS32 SYMBOL.....71, 73  
 OUTER ARM ASSY,#1, GS32 WORD.....71, 73  
 OUTER ARM ASSY,#1,15&19FT SYMB.....65, 67, 69  
 OUTLET,110V GFCl\*\*\*.....91  
 OVERLAY, PLAT CONTRL BOX,GEN4~.....12, 15, 17-18, 21-22, 25-26, 29

**P**

PC BOARD,SLAB,GEN 4.....93  
 PIN, CHASSIS PIVOT.....65, 67, 69  
 PIN, CYLINDER, SHORT.....65, 67, 69  
 PIN, LINKSET MOUNT, 1".....71, 73, 75  
 PIN, LINKSET MOUNT, 3/4".....71, 73, 75  
 PIN, LOCK.....77-79, 81-83, 85-86  
 PIN, LONG, GS46.....71, 73, 75  
 PIN, LOWER CYL, ROD END.....75  
 PIN, LOWER CYLINDER MOUNT.....71, 73, 75  
 PIN, MINI, CENTER.....65, 67, 69, 73  
 PIN, POTHOLE LINK PIVOT.....43  
 PIN, ROLL, .375 X 1.25.....41  
 PIN, SADDLE CYLINDER MOUNT.....75  
 PIN, SHORT, GS46.....71, 73, 75  
 PIN, UPPER CYLINDER MOUNT.....71, 73, 75  
 PIN, WIRE LOCK 3/8 X 2 -1/2.....79, 83  
 PIN,1.50DIA X 8.95LG,1HOLE.....65, 67, 69  
 PIN,CLEVIS,.375 X 1.75 LG.....41, 43  
 PIN,CLEVIS,.625 X 1.56,ZINC PL.....41  
 PIN,CLEVIS,.625 X 1.88,ZINC PL.....41, 43  
 PIN,CLEVIS,.75 X 2.....31, 33  
 PIN,CLEVIS,0.75 X 3.25".....33  
 PIN,COTTER,.125 X .75.....41, 43  
 PIN,COTTER,.156 X 1.75.....33  
 PIN,COTTER,.156 X 2.5.....31, 35-36  
 PIN,LINKAGE,LONG.....65, 67  
 PIN,MINI END.....65, 67, 69  
 PIN,STEER CYLINDER.....31  
 PIPE CRDL,SQ RAILINGS,GS46.....129  
 PLAT ASSY FOLD CHAIN 1530ANSI.....77-79  
 PLAT ASSY FOLD CHAIN 1530SMBL.....77-79  
 PLAT ASSY FOLD CHAIN 1930ANSI.....77-79  
 PLAT ASSY FOLD CHAIN 1930SMBL.....77-79  
 PLAT ASSY FOLD SWING 1530ANSI.....77-79  
 PLAT ASSY FOLD SWING 1530SMBL.....77-79  
 PLAT ASSY FOLD SWING 1532 AUS.....77-79  
 PLAT ASSY FOLD SWING 1532 CE.....77-79  
 PLAT ASSY FOLD SWING 1930ANSI.....77-79  
 PLAT ASSY FOLD SWING 1930SMBL.....77-79  
 PLAT ASSY FOLD SWING 1932 AUS.....77-79  
 PLAT ASSY FOLD SWING 1932 CE.....77-79  
 PLAT ASSY RIGID CHAIN 1530ANSI.....77-79  
 PLAT ASSY RIGID CHAIN 1530SMBL.....77-79  
 PLAT ASSY RIGID CHAIN 1930ANSI.....77-79  
 PLAT ASSY RIGID CHAIN 1930SMBL.....77-79  
 PLAT ASSY RIGID SWING 1530ANSI.....77-79  
 PLAT ASSY RIGID SWING 1530SMBL.....77-79  
 PLAT ASSY RIGID SWING 1532 AUS.....77-79  
 PLAT ASSY RIGID SWING 1532 CE.....77-79  
 PLAT ASSY RIGID SWING 1930ANSI.....77-79  
 PLAT ASSY RIGID SWING 1930SMBL.....77-79  
 PLAT ASSY RIGID SWING 1932 AUS.....77-79  
 PLAT ASSY RIGID SWING 1932 CE.....77-79

## Part Description Index (continued)

PLAT ASSY, RIGID/CHN, 2032 ANSI.....81-83	PLATFORM ASSY, GS3246, ANSI&CSA.....85-86	SCREW, HHC, 1/2-13 X 5 GR5, PLT.....35-36
PLAT ASSY, FLD/CHN, 2032 ANSI SY.....81-83	PLATFORM ASSY, GS3246, AUS.....85-86	SCREW, HHC, 1/4-20 X .5.....95, 109, 133
PLAT ASSY, FLD/CHN, 2032 ANSI WO.....81-83	PLATFORM ASSY, GS3246, CE SYM.....85-86	SCREW, HHC, 1/4-20 X .625.....117
PLAT ASSY, FLD/SWG 2632 CE SYMB.....81-83	PLATFORM CONTROL BOX GEN 5.....95	SCREW, HHC, 1/4-20 X .75.....45, 51, 127, 131
PLAT ASSY, FLD/SWG, 2032 AUS WO.....81-83	PLATFORM MOUNT ASSY, 15 FT.....63	SCREW, HHC, 1/4-20 X 1.....31, 51
PLAT ASSY, FLD/SWG, 2032 ANSI SY.....81-83	PLATFORM MOUNT ASSY, 19 FT.....63	SCREW, HHC, 1/4-20 X 1.25.....47, 71, 73, 75
PLAT ASSY, FLD/SWG, 2032 ANSI WO.....81-83	PLATFORM MOUNT ASSY, GS32&46.....63	SCREW, HHC, 1/4-20 X 1.5.....75
PLAT ASSY, FLD/SWG, 2032 CE SYMB.....81-83	PLUG AND CAP KIT-SERVICE, ORFS*.....101, 103	SCREW, HHC, 1/4-20 X 1.75.....39
PLAT ASSY, FLD/SWG, 2632 ANSI SY.....81-83	PLUG, 1/4"SERIES, 3/8 P-LOCK***.....119	SCREW, HHC, 1/4-20 X 2.....82-83, 86, 89
PLAT ASSY, FLD/SWG, 2632 ANSI WO.....81-83	PLUG, ELECTRICAL, 220/50, NOVON.....91	SCREW, HHC, 1/4-20 X 3.5.....131
PLAT ASSY, FLD/SWG, 2632 CE SYMB.....81-83	PLUG, ELECTRICAL, DOMESTIC.....91	SCREW, HHC, 1/4-20X3.25, GR8.....31, 33
PLAT ASSY, FLD/SWG, 2632 ANSI SY.....81-83	PLUG, FUSED, 250V, 13AMP, U.K.**.....91	SCREW, HHC, 3/8-16 X .75.....31, 33, 78-79, 86, 93
PLAT ASSY, FLD/SWG, 2632 ANSI WO.....81-83	PLUG, HEX SOCKET, 090109B-4.....111, 113-114	SCREW, HHC, 3/8-16 X 1.25 GRD 5.....41
PLAT ASSY, FLD/SWG, 2632 AUS WOR.....81-83	PLUG, PWR, UK, 16AMP, 3PIN, BLK.....91	SCREW, HHC, 3/8-16 X 1.50, GR5.....65, 67, 69, 71, 73, 75
PLAT ASSY, RIGID/CHN, 2032 ANSI.....81-83	POT HOLE GUARD, LT, WLDMT.....41	SCREW, HHC, 3/8-16 X 2.....77-79, 81-83, 85-86, 89
PLAT ASSY, RIGID/SWG, 2032 ANSI.....81-83	POT HOLE GUARD, RT, WLDMT.....41	SCREW, HHC, 3/8-16 X 2.5.....65, 67, 69, 82-83, 89
PLAT ASSY, RIGID/SWG, 2032 AUS.....81-83	POT HOLE BELL CRNK LINK ASSYGS30.....41, 43	SCREW, HHC, 3/8-16 X 2.75.....69, 129
PLAT ASSY, RIGID/SWG, 2032 ANSI.....81-83	POWER CORD, UK 110.....49	SCREW, HHC, 3/8-16 X 3.....71, 73, 75
PLAT CONTRL, G4, DEC, IPCB, MINI.....93	POWER CORD, NOVON***.....49	SCREW, HHC, 5/16-18 X 2.....121
PLAT CONTROL CIRCT BRD ASSY G5.....95	POWER CORD, UK-HIGH VOLTAGE***.....49	SCREW, PHIL, 8-32X.50, SELF TAP.....91
PLAT ENTRY ASSY, RIGID GS30.....89	POWER CORD, US 110***.....49	SCREW, PHILLIPS, PHM, 10-32 X .38.....47
PLAT EXT DECK ASSY, GS30.....78-79	PRTY, FLOW CNTRL VALVE, .75 GPM.....101, 103	SCREW, PHILLIPS, PHM, 10-32 X .75.....51, 117
PLAT EXT PLATE ASSY, GS30 WORD.....78-79	PUMP, 4CC GEAR, CCW***.....107	SCREW, PHILLIPS, PHM, 6-32 X .75.....91
PLAT EXT RAIL ASSY, GS30 SMBL.....78-79		SCREW, PHILLIPS, PHM, 8-32 X .25***.....53
PLAT EXT RAIL ASSY, GS30 WORD.....78-79		SCREW, PHILLIPS, RHM, 10-32 X 1.5.....131, 133
PLAT EXTN RAIL ASSY, UPPER.....78-79		SCREW, RHM, 10-32 X 1.5.....39
PLAT MAIN DECK ASSY, 1530 ANSI.....78-79		SCREW, RHM, 6-32 X .5.....91
PLAT MAIN DECK ASSY, 1530 SMBL.....78-79		SCREW, SHC, 3/8-24 X 1.25".....107
PLAT MAIN DECK ASSY, 1532 AUS.....78-79		SCREW, SHS, 5/16-18 X .25.....77-79, 81-83, 85-86
PLAT MAIN DECK ASSY, 1532 CE.....78-79		SEAL (84535/84539).....105
PLAT MAIN DECK ASSY, 1930 ANSI.....78-79		SEAL KIT (105546).....109
PLAT MAIN DECK ASSY, 1930 SMBL.....78-79		SEAL KIT (84515 & 150104).....103
PLAT MAIN DECK ASSY, 1932 AUS.....78-79		SEAL KIT (96579).....109
PLAT MAIN DECK ASSY, 1932 CE.....78-79		SEAL KIT (96628).....109
PLATE EXT PLATE ASSY, GS30 SMBL.....78-79		SEAL KIT, HAND PUMP, 2003 MINI.....105
PLATE, CWGT COVER, GS46.....35-36		SEAL KIT, VALVE.....101, 103, 109
PLATE, INVERTER MOUNT.....127		SEAL KIT, 39909, PLAT LWR VALVE*.....109
PLATE, LIMIT SWITCH MOUNT.....39		SEAL KIT, BOSCH PUMP***.....107
PLATE, PIN RETAINER.....75		SEAL KIT, HAND PUMP***.....105
PLATE, POT HOLE LINK.....41		SEAL KIT, LIFT PUMP, BARNES**.....107
PLATE, POT HOLE LINK.....43		SEAL KIT, PO CHECK VALVE(84391).....105
PLATE, AC ADAPTER, DIN/UK***.....91		SEAL KIT, RC SERIES DR MOTOR***.....99
PLATE, BEACON MOUNT.....117		SEAL KIT, STEER CYLINDER(96077).....99
PLATE, BRAKE SPACER.....35-36		SEAL KIT-FOR P.N.44167.....101, 103
PLATE, CWGT, GS32 REAR.....36		SEAL KIT-LIFT CYL(96192).....109
PLATE, HOSE ROUTG, BULKHEAD(PTD)...31, 33, 71, 73, 75		SEAL KIT-P.N.44169, 44172, 44171.....101, 103
PLATE, PIPE HOLDER, GS68.....129		SERIAL # LABEL, SCISSORS*****.....12, 15, 18, 21-22, 26, 29
PLATE, POT HOLE LINK, GS30.....41		SERVICE KIT, BOM PLUG.....51
PLATFORM ASSY, GS2046, ANSI SYM.....85-86		SERVICE KIT, BRAKE RELEASE MAN*.....105
PLATFORM ASSY, GS2046, ANSI&CSA.....85-86		SERVICE KIT, FUNCTION MANIFOLD.....101
PLATFORM ASSY, GS2046, AUS.....85-86		SERVICE KIT, INVERTER 800W***.....125, 127
PLATFORM ASSY, GS2046, CE SYM.....85-86		SLEEVE, TANK SUPPORT.....51
PLATFORM ASSY, GS2646, ANSI SYM.....85-86		SLIDER, UHMW.....63
PLATFORM ASSY, GS2646, ANSI&CSA.....85-86		SLIDER, MINI PLATFORM***.....63
PLATFORM ASSY, GS2646, AUS.....85-86		SLIDER, MINI PLATFORM, DRILLED**.....63
PLATFORM ASSY, GS2646, CE SYM.....85-86		SLIDER, UHMW.....63
PLATFORM ASSY, GS3246, ANSI SYM.....85-86		SNAP RING, EXTERNAL, 1.25 DIA.**.....65, 67, 69, 73
		SNAP RING, EXTERNAL, 1.5 DIA***.....71, 73, 75
		SPACER, .35ID X .785OD X .435.....121
		SPACER, .75ID X 1.5OD X 1/4THK.....41, 43

## Q

QUICK DISCONNECT CASING, BATT\*\*.....47

## R

RAIL- GS46 PLAT, MAINDECK.....86  
 RAIL-GS46 PLAT, MAINDECK.....85-86  
 RECEPTACLE ANTIBACKOUT, 18 CONT.....51  
 RECEPTACLE, DIN, 220V 50A.....91  
 RECEPTACLE, ANTI-BACKOUT.....51  
 RECEPTACLE, FEMALE 18 CONT.....51  
 RECEPTACLE, FEMALE, 36 CONTACT.....51  
 RELAY, 24VDC, 40/30A, SLD W/BRKT\*.....51, 59-60, 117  
 RIGHT EXT RAIL, GS46.....86  
 RIGHT EXT. RAIL, GS46 (WORD).....86  
 RIGID EYE SNAP.....83, 89  
 RIVET, ALUM, STL., 188 X .250.....78-79, 81-83, 85-86  
 ROD END, .250 X 2.75 LG...31, 65, 67, 69, 71, 73, 75  
 ROD END, .375 X 3.69.....69, 71, 73, 75  
 ROLLER ARM, LIMIT SWITCH\*\*\*.....39, 131, 133  
 ROLLER BRACKET ASSY, GRND CNTR...77-79, 81-83, 85-86  
 ROLLER, PLATFORM EXTENSION.....77-79, 81-83, 85-86  
 RUE RING, 3/4 PIN.....33, 41, 43  
 RUE RING, 5/8 PIN.....41, 43

## S

SAFETY CHOCK, SCISSOR.....65, 67, 69, 71, 73  
 SAFETY CHOCK-SCISSOR.....75  
 SCREW, YOKE LOCK ALL SLABS.....31, 33  
 SCREW, BHHS, 1/4-20 X .75.....39, 51, 53  
 SCREW, BHHS, 3/8-16 X .75.....53  
 SCREW, HEX HD, NO SLOT, #14X.50.....47  
 SCREW, HHC, 1/2-13 X 3.5.....31, 33, 35-36

- SPACER,1/4ID X 1/2OD X .313.....133  
 SPACER-DUAL COIL,#10, SCISSORS.....103  
 SPACER-DUAL COIL,#8\*\*\*.....103  
 SPRING CLIP,1/4-20,.025-.15X.5.....39, 51, 53,  
 127  
 SPRING,COMPRESSION .835 X 2.....82-83,  
 86, 89  
 SPRING,COMPRESSION.485 X1.75\*\*.....39,  
 77-79, 81-83, 85-86  
 SPRING,HAND PUMP ROD.....105  
 SPRING-BRUSH,40844, SCISSORS.....107  
 STD CONTROL HARNESS, SLAB.....55-56,  
 59-60  
 STRAP,NYLON,1.0 IN. BLACK.....129  
 S T R O B E , B E A C O N , W / O U T  
 HARDWARE\*\*.....117  
 SVC KIT,UK RECEPT.REPLACEMENT.....91  
 SWING GATE ASSY, 3246 CE SYMB.....85-86  
 SWING GATE ASSY, GS2032 CE.....82-83  
 SWING GATE ASSY, GS2032 CESYMB.....82-  
 83  
 SWING GATE ASSY, GS2046,CE SYM.....85-  
 86  
 SWING GATE ASSY, GS2632 CE IND.....82-  
 83  
 SWING GATE ASSY, GS2632 CE SYM.....82-  
 83  
 SWING GATE ASSY, GS46 WELD.....85-86  
 SWING GATE ASSY,1530 CE INDOOR.....89  
 SWING GATE ASSY,1532 CE.....89  
 SWING GATE ASSY,1930 CE INDOOR.....89  
 SWING GATE ASSY,1932 CE.....89  
 SWING GATE ASSY,GS2046,CE SYMB.....85-  
 86  
 SWING GATE ASSY,GS2646 CE SYMB.....85-  
 86  
 SWING GATE ASSY,GS2646, CE SYM.....85-  
 86  
 SWING GATE ASSY,GS30/32\*\*.....82-83, 89  
 SWING GATE ASSY,GS32,COMPLETE.....82-  
 83  
 SWING GATE ASSY,GS3246, CE SYM.....85-  
 86  
 SWING GATE KIT,1530 CE INDOORS.....89  
 SWING GATE KIT,1532 CE.....89  
 SWING GATE KIT,1930 CE INDOORS.....89  
 SWING GATE KIT,1932 CE.....89  
 SWING GATE KIT,GS30.....89  
 SWITCH,LIMIT,W/ROLLER ARM\*\*\*.....39, 131,  
 133
- T**
- T-BOX,2.75 X 4.5 X 2.0.....91  
 TANK,HYD, SLAB SCISSORS.....51  
 TAPE,NON-SKID,DIE CUT,1.38X1.5.....77-79,  
 81-83, 85-86  
 TAPE,NON-SKID,DIE CUT,4"X 16".....78-79,  
 82-83  
 TAPE,NON-SKID,DIE CUT,4"X 32".....78-79,  
 81-83, 86  
 TAPE,NON-SKID,DIE CUT,4"X 40".....78-79  
 TEE,RUN 070432-6\*\*\*\*\*.....113-114  
 THREADED ROD,(1/4-20),.25.50.....45, 47  
 TIE ROD ASSEMBLY.....31  
 TIE ROD ASSEMBLY, GS32.....33  
 TIE ROD ASSY, GS46.....33  
 TRAVEL ALARM ACC, SLAB.....117  
 TUBE, ASSY, DRAW.....111, 114  
 TUBE, ASSY, RETURN.....111, 114
- TUBE, ENTRY SWING, GS32.....82-83  
 TUBE, VERT, FOLDING.....78-79, 82-83  
 TUBING,PVC,1",BLACK\*\*\*.....83, 89  
 TURN SWITCH ACTUATOR,JOYSTICK\*\*.....97
- U**
- U-BOLT, SQR, 3/8-16X2X5, PLTD.....129
- V**
- VALVE,CARTRIDGE\*\*\*.....109  
 VALVE,CHECK,IWP-S/CWP PWR ASSI.....101  
 VALVE,HAND PUMP ASSEMBLY\*\*\*.....105  
 VALVE,HAND PUMP, 2003 MINI.....105  
 VALVE,PILOT OPERATED ASSEMBLY\*.....105  
 VALVE,SOLENOID,3POS 4WAY.....101, 103  
 VALVE,W/NC SOLENOID,MANUAL\*\*\*.....109  
 VALVE-CHECK,PILOT OPER,2003MIN.....105  
 VALVE-RELIEF, 3700 PSI #8\*\*.....101, 103  
 VALVE-RELIEF, DIFF, 130 PSI.....103  
 VALVE-RELIEF,2500PSI.....109  
 VALVE-SOLENOID, 2POS 4 WAY.....101, 103  
 VALVE-SOLENOID,2POS 4WAY\*\*.....103
- W**
- WASHER,FLAT, 1.27 X 2.13 X .13.....65, 69,  
 73  
 WASHER,FLAT,.375 X 1.5 X .125.....33  
 WASHER,FLAT,.75 HARDENED.....45, 47  
 WASHER,FLAT,MS,#10,Y.....131  
 WASHER,FLAT,USS,1/4"Y.....31, 45, 51, 75,  
 82-83, 86, 89, 117, 123, 125, 131  
 WASHER,FLAT,USS,3/8",Y.....31, 36, 41, 43,  
 77-79, 81-83, 85-86, 129  
 WASHER,FLAT,USS,5/16",Y.....41, 43, 47, 82-  
 83, 89  
 WASHER,LOCK,.25.....45, 47, 51, 71, 73, 75,  
 95, 109, 133  
 WASHER,LOCK,.313.....121  
 WASHER,LOCK,.375.....77-79, 81-83, 85-86,  
 93, 107  
 WASHER,SCIS ARM,1.54X2.00X.125.....67,  
 71, 73, 75  
 WASHER,SHIM,.625 X 1.188X.064.....43  
 WASHER,SHIM,.765X1.312 X.093\*\*.....41, 43  
 WASHER,STAR,EXTERNAL,.375.....43  
 WASHER,THRUST,GS.....31, 33  
 WASHER,THRUST,.63 X 1.13 X .06.....41  
 WEAR PAD, PLATFORM POINTER.....133  
 WEAR PAD,PLATFORM.....78-79, 81-83, 85-  
 86  
 WEAR/GUIDE PAD MAIN PLATFORM.....78-  
 79, 81-83, 85-86  
 WELDMENT, 1532 COUNTERWT, CE.....35-  
 36  
 WELDMENT, CABLE BRIDGE, 1 ARMS.....65,  
 67  
 WELDMENT, CABLE BRIDGE, 2 ARMS.....65,  
 67  
 WELDMENT, LINK, SINGLE.....65, 67, 69  
 WELDMENT, POTHOLE, LEFT SIDE.....43  
 WELDMENT, POTHOLE, RIGHT SIDE.....43  
 WELDMENT, STR YOKE, 30 MINI LT.....31  
 WELDMENT, STR YOKE, 30 MINI RT.....31  
 WELDMENT,CABLE BRIDGE,TOP,MINI.....69  
 WELDMENT,CABLEBRIDGE HOOK.....71, 73,  
 75  
 WELDMENT,CABLEBRIDGE,SHORT.....71,  
 73, 75
- WELDMENT,LINK PLATFORM MNT\*\*\*.....69  
 WELDMENT,LINK,PLAT MOUNT.....65, 67  
 WELDMENT,ROLLER BRACKET,LT\*\*\*.....78-  
 79, 83, 86  
 WHEEL & TIRE ASSY LP,15".....33  
 WHEEL & TIRE ASSY,LP,12\*\*\*\*.....31  
 WIRE ASSEMBLY,GS2646/GS2632.....56  
 WIRE ASSEMBLY,PLAT/CHASS, 20XX.....59-  
 60  
 WIRE ASSEMBLY,PLAT/CHASS, 26XX.....59-  
 60  
 WIRE ASSEMBLY,PLAT/CHASS, 32XX.....60  
 WIRE ASSEMBLY,PLAT/CHASS,15XX.....56,  
 59-60  
 WIRE ASSEMBLY,PLAT/CHASS,19XX.....56,  
 59-60  
 WIRE ASSEMBY,PLAT/CHASS,GS3246.....56  
 WIRE ASSY,ECU TO CHASSIS,GS30.....55-  
 56, 59-60  
 WIRE ASSY,PLAT TO CHAS,GS20XX.....56  
 WIRE CABLE,14/3 CON.TPE JKT\*.....60, 91  
 WIRE CAP,ORANGE.....91  
 WLDMT, ENTRY SIDERAIL, LT.....86  
 WLDMT, ENTRY SIDERAIL, RT.....86  
 WLDMT, EXT DECK LWR RAIL.....78-79  
 WLDMT, FORMING, HALFGATE CATCH.....89  
 WLDMT, LOWER EXT RAIL.....82-83  
 WLDMT, MAIN SIDERAIL, UPPER,RT.....78-  
 79  
 WLDMT, MAIN SIDERAIL,UPPER,LFT.....78-  
 79  
 WLDMT,CABLE BRIDGE,BOTTOM,MINI.....69  
 WLDMT,CABLE BRIDGE,LOWER,MINI.....69  
 WLDMT,LNK,OUT #3-20XX,#5-32XX.....71, 75  
 WLDMT,LNK,OUTER #2,#3,#4.....71, 73, 75  
 WLDMT,LNK,OUTER #4,26XX.....73  
 WLDMT,LNK,OUTER #4,26XX,LEFT.....73  
 WLDMT,LOCKING ROLLER SUPPORT.....77-  
 79, 81-83, 85-86  
 WLDMT,PLATFORM SLIDER.....63  
 WLDMT,STEER YOKE,LT,GS32/46.....33  
 WLDMT,STEER YOKE,RT,GS32/46.....33  
 WLDMT.WHEEL COUNTERWEIGHT...35-36,  
 41  
 WLDMT/ASSY, PH GUIDE,GS30/32.....41, 43  
 WLDMT/ASSY,PH GUIDE,GS46.....43  
 WLDT, HALF GATE CATCH, GS32.....82-83  
 WLDT,EX.RAIL,RIGID,GS30.....78-79  
 WORKLIGHT ACCES,GS15FT.....121  
 WORKLIGHT ACCES,GS19FT.....121  
 WORKLIGHT ACCESSORY,GS19/20XX....121  
 WORKLIGHT ACCESSORY,GS26XX.....121  
 WORKLIGHT ACCESSORY,GS32XX.....121  
 WORKLIGHT BRACKET.....121  
 WORKLIGHT CABLE,GS15XX.....121  
 WORKLIGHT CABLE,GS19/20XX.....121  
 WORKLIGHT CABLE,GS26XX.....121  
 WORKLIGHT CABLE,GS32XX.....121  
 WORKLIGHT PIGTAIL ASSY.....121  
 WORKLIGHT,24V,COIL CORD.....121

## Fitting Cross References

Genie PN	Parker PN	Description	Genie PN	Parker PN	Description
12342	6-4 F5OX-S	CONNECTOR,STRAIGHT THREAD TO FLARE TUBE	42794	1 CR-S	ELBOW,90°,MALE PIPE
13757	4 R6X-S	RUN TEE,SWIVEL NUT,ORFS	42795	BV-0839	BALL VALVE
19685	12-10 C5OX-S	ELBOW,90°,STRAIGHT THREAD TO FLARE TUBE	42796	BV-0838	BALL VALVE
22664	12-10 C5OX	ELBOW,90°,STRAIGHT THREAD TO FLARE TUBE	42874	6-8 CLO-S	ELBOW,90°,MALE PIPE TO ORFS
27431	8-12 F5OX-S	CONNECTOR,STRAIGHT THREAD TO FLARE TUBE	42912	13943-6-4	HOSE END,90° FEMALE SWIVEL,JIC
28678	AS-B-33	SLEEVE,NYLON,1.81" ID	42920	BV-0840	BALL VALVE,90°
39871	6 WETX-WLN-S	UNION,90° BULKHEAD W/NUT,FLARE TUBE	42932	AS-B-17	SLEEVE,NYLON,1.22" ID
39872	4 R5OX-S	RUN TEE,STRAIGHT THREAD	42936	10243-2-4	HOSE END,FEMALE PIPE
39873	6 C5OX-S	ELBOW,90°,STRAIGHT THREAD TO FLARE TUBE	42953	1/2 DD-S	ELBOW,90°,FEMALE PIPE
39874	8-6 C5OX-S	ELBOW,90°,STRAIGHT THREAD TO FLARE TUBE	42956	6 WELO-WLNL-S	UNION,90° BULKHEAD W/NUT,ORFS
39875	4-6 C5OX-S	ELBOW,90°,STRAIGHT THREAD TO FLARE TUBE	45349	8 V5OX-S	ELBOW,45°,STRAIGHT THREAD TO FLARE TUBE
39876	6-8 C5OX-S	ELBOW,90°,STRAIGHT THREAD TO FLARE TUBE	45351	4 V5OX-S	ELBOW,45°,STRAIGHT THREAD TO FLARE TUBE
39877	4 F5OX-S	CONNECTOR,STRAIGHT THREAD TO FLARE TUBE	47223	10343-6-6	HOSE END,MALE,JIC
39878	6 F5OX-S	CONNECTOR,STRAIGHT THREAD TO FLARE TUBE	47419	PS690503-6-6	SWIVEL,90°,STRAIGHT THREAD TO 37° FLARE
39879	4-8 F5OX-S	CONNECTOR,STRAIGHT THREAD TO FLARE TUBE	48750	421-4	HOSE,1/4 INCH ID
39880	6-10 F5OX-S	CONNECTOR,STRAIGHT THREAD TO FLARE TUBE	48751	481TC-4	HOSE,1/4 INCH ID
39881	4-6 F5OX-S	CONNECTOR,STRAIGHT THREAD TO FLARE TUBE	48752	482TC-4	HOSE,1/4 INCH ID
39882	4-HP5ON-S	PLUG,STRAIGHT THREAD	48753	451TC-6	HOSE,3/8 INCH ID
39883	8-8 FTX-S	CONNECTOR,MALE PIPE TO FLARE TUBE	48754	482TC-6	HOSE,3/8 INCH ID
39885	269HB 12-12	ELBOW,90°,BEADED HOSE BARB TO MALE PIPE	48755	381-6	HOSE,3/8 INCH ID
39886	431-6	HOSE,3/8 INCH ID	48756	451TC-8	HOSE,1/2 INCH ID
39887	540N-2	HOSE,1/8 INCH ID	48757	482TC-8	HOSE,1/2 INCH ID
39888	801-8	HOSE,1/2 INCH ID	48758	381-8	HOSE,1/2 INCH ID
39889	801-12	HOSE,3/4 INCH ID	48759	381-10	HOSE,5/8 INCH ID
39890	10643-6-6	HOSE END,FEMALE SWIVEL,JIC	48760	451TC-10	HOSE,5/8 INCH ID
39891	13943-6-6	HOSE END,90° FEMALE SWIVEL,JIC	48761	482TC-12	HOSE,3/4 INCH ID
39892	13743-6-6	HOSE END,45° FEMALE SWIVEL,JIC	48762	451TC-12	HOSE,3/4 INCH ID
39894	30682-8-8	HOSE END,FEMALE SWIVEL,JIC	48763	772-12	HOSE,3/4 INCH ID
39895	30682-10-12	HOSE END,FEMALE SWIVEL,JIC	48764	881-16	HOSE,1 INCH ID
42286	8-8 CTX-S	ELBOW,90°,MALE PIPE TO FLARE TUBE	48765	772-16	HOSE,1 INCH ID
42756	8-12 CLO-S	ELBOW,90,MALE PIPE TO ORFS	48766	AS-B-15	SLEEVE,NYLON,1.06" ID
42757	8-12 FLO-S	CONNECTOR,MALE PIPE TO ORFS	48767	AS-B-22	SLEEVE,NYLON,1.42" ID
42758	4 JLO-S	UNION TEE,ORFS	48770	881-8	HOSE,1/2 INCH ID
42759	4-4 FLO-S	CONNECTOR,MALE PIPE TO ORFS			
42760	6-8 FLO-S	CONNECTOR,MALE PIPE TO ORFS			
42761	1J143-6-4	HOSE END,90° FEMALE SWIVEL,SEAL LOK			
42762	1J743-6-4	HOSE END,45° FEMALE SWIVEL,SEAL LOK			
42768	1JO43-4-4	HOSE END,MALE,SEAL LOK			
42776	601-8	HOSE,1/2 INCH ID			
42777	1J743-16-16	HOSE END,45° FEMALE SWIVEL,SEAL LOK			
42786	16 CLO-S	ELBOW,90°,MALE PIPE TO ORFS			
42787	16 R6LO-S	RUN TEE,SWIVEL NUT,ORFS			
42788	16-8 TRLO-BL-S	REDUCER,TUBE END TO SWIVEL,ORFS			
42789	6-6 CLO-S	ELBOW,90°,MALE PIPE TO ORFS			
42790	8-10 V5OLO-S	ELBOW,45°,STRAIGHT THREAD TO ORFS			
42791	3/4 CD-S	ELBOW,90°,MALE TO FEMALE PIPE			
42792	3/4 X 1/2 PTR-S	REDUCER,MALE TO FEMALE PIPE			
42793	1/2 CR-S	ELBOW,90°,MALE PIPE			

Fitting Cross References (Continued)

Genie PN	Parker PN	Description
48771	881-10	HOSE,5/8 INCH ID
48772	381-4	HOSE,1/4 INCH ID
48773	AS-B-13	SLEEVE,NYLON,.86" ID
48800	1JC43-4-4	HOSE END,FEMALE SWIVEL,SEAL LOK
48801	1J743-4-4	HOSE END,45° FEMALE SWIVEL,SEAL LOK
48802	1J943-4-4	HOSE END,90° FEMALE SWIVEL,SEAL LOK
48804	1JM43-4-4	HOSE END,MALE,SEAL LOK, NO O-RING
48805	10643-4-4	HOSE END,FEMALE SWIVEL,JIC
48806	13943-4-4	HOSE END,90° FEMALE SWIVEL,JIC
48807	1JS43-4-4	HOSE END,FEMALE SWIVEL,SEAL LOK
48808	3JC82-8-8	HOSE END,FEMALE SWIVEL,SEAL LOK
48809	3JC82-12-12	HOSE END,FEMALE SWIVEL,SEAL LOK
48810	1JC43-6-4	HOSE END,FEMALE SWIVEL,SEAL LOK
48811	1J943-6-4	HOSE END,90° FEMALE SWIVEL,SEAL LOK
48812	1JC43-6-6	HOSE END,FEMALE SWIVEL,SEAL LOK
48813	1J143-6-6	HOSE END,90° FEMALE SWIVEL,SEAL LOK
48814	1J543-6-6	HOSE END,90° FEMALE SWIVEL,SEAL LOK
48815	1J743-6-6	HOSE END,45° FEMALE SWIVEL,SEAL LOK
48816	1J943-6-6	HOSE END,90° FEMALE SWIVEL,SEAL LOK
48817	1JS43-6-8	HOSE END,FEMALE SWIVEL,SEAL LOK
48818	1J943-8-4	HOSE END,90° FEMALE SWIVEL,SEAL LOK
48819	1JC43-8-6	HOSE END,FEMALE SWIVEL,SEAL LOK
48820	1J743-8-6	HOSE END,45° FEMALE SWIVEL,SEAL LOK
48821	1J943-8-6	HOSE END,90° FEMALE SWIVEL,SEAL LOK
48822	1JC43-8-8	HOSE END,FEMALE SWIVEL,SEAL LOK
48823	1JS43-8-8	HOSE END,FEMALE SWIVEL,SEAL LOK
48824	1J143-8-8	HOSE END,90° FEMALE SWIVEL,SEAL LOK
48825	1J543-8-8	HOSE END,90° FEMALE SWIVEL,SEAL LOK
48826	1J743-8-8	HOSE END,45° FEMALE SWIVEL,SEAL LOK
48827	1J943-8-8	HOSE END,90° FEMALE SWIVEL,SEAL LOK
48828	1JC43-10-8	HOSE END,FEMALE SWIVEL,SEAL LOK
48829	1JS43-10-8	HOSE END,FEMALE SWIVEL,SEAL LOK
48830	1J743-10-8	HOSE END,45° FEMALE SWIVEL,SEAL LOK
48831	1J943-10-8	HOSE END,90° FEMALE SWIVEL,SEAL LOK
48833	1JC43-10-10	HOSE END,FEMALE SWIVEL,SEAL LOK
48834	1J943-10-10	HOSE END,90° FEMALE SWIVEL,SEAL LOK
48835	1JS43-10-12	HOSE END,FEMALE SWIVEL,SEAL LOK
48836	1JC43-12-8	HOSE END,FEMALE SWIVEL,SEAL LOK
48837	1JS43-12-8	HOSE END,FEMALE SWIVEL,SEAL LOK
48838	1J743-12-8	HOSE END,45° FEMALE SWIVEL,SEAL LOK
48839	1J943-12-8	HOSE END,90° FEMALE SWIVEL,SEAL LOK
48840	1J943-12-10	HOSE END,90° FEMALE SWIVEL,SEAL LOK
48841	1JC43-12-12	HOSE END,FEMALE SWIVEL,SEAL LOK
48842	1JO43-12-12	HOSE END,MALE,SEAL LOK
48843	1J143-12-12	HOSE END,90° FEMALE SWIVEL,SEAL LOK
48844	1J543-12-12	HOSE END,90° FEMALE SWIVEL,SEAL LOK
48845	1J743-12-12	HOSE END,45° FEMALE SWIVEL,SEAL LOK
48846	1J943-12-12	HOSE END,90° FEMALE SWIVEL,SEAL LOK

Genie PN	Parker PN	Description
48847	13943-12-12	HOSE END,90° FEMALE SWIVEL,JIC
48848	10543-12-12	HOSE END,MALE,STRAIGHT THREAD
48849	1JC71-12-12	HOSE END,FEMALE SWIVEL,SEAL LOK
48850	1JS71-12-12	HOSE END,FEMALE SWIVEL,SEAL LOK
48851	1J171-12-12	HOSE END,90° FEMALE SWIVEL,SEAL LOK
48852	1J771-12-12	HOSE END,45° FEMALE SWIVEL,SEAL LOK
48853	1J971-12-12	HOSE END,90° FEMALE SWIVEL,SEAL LOK
48854	1JC43-16-16	HOSE END,FEMALE SWIVEL,SEAL LOK
48855	1J943-16-16	HOSE END,90° FEMALE SWIVEL,SEAL LOK
48856	1J171-16-16	HOSE END,90° FEMALE SWIVEL,SEAL LOK
48857	1J971-16-16	HOSE END,90° FEMALE SWIVEL,SEAL LOK
48859	1JS43-8-4	HOSE END,FEMALE SWIVEL,SEAL LOK
48867	PD36BTL	DIAGNOSTIC NIPPLE,SEAL-LOK SWIVEL
48873	6 PNLO-S	PLUG,TUBE END,ORFS
48874	6 PNTX-S	PLUG,FLARE TUBE
48875	6 R6LO-S	RUN TEE,SWIVEL NUT,ORFS
48877	4 F5OLO-SW.025	CONNECTOR,STRAIGHT THREAD TO ORFS, W/.025 ORI
48878	16-12 C5OLO-S	ELBOW,90°,STRAIGHT THREAD TO ORFS
48879	8 C6LO-S	ELBOW,90°,SWIVEL NUT ORFS
48880	PD6-285	CAP,DIAGNOSTIC NIPPLE
48881	6 HLO-S	UNION,ORFS
48883	8 P5ON-S	PLUG,STRAIGHT THREAD
48884	8M18F87OMLO-S	CONNECTOR,METRIC,STRAIGHT THREAD TO ORFS
48885	4 WGTX-WLN-S	CONNECTOR,BULKHEAD,FEMALE PIPE TO FLARE TUBE
48886	4 F5OLO-SW/2MM	CONNECTOR,MACHINED STRAIGHT THREAD TO ORFS
48887	4 CTX-S	ELBOW,90°,MALE PIPE TO FLARE TUBE
48888	10-12 V5OLO-S	ELBOW,45°,STRAIGHT THREAD TO ORFS
48890	4 S5OLO-S	BRANCH TEE,STRAIGHT THREAD TO ORFS
48891	4 S6LO-S	BRANCH TEE,SWIVEL NUT TO ORFS

## Fitting Cross References (Continued)

Genie PN	Parker PN	Description	Genie PN	Parker PN	Description
48892	6 C6LO-S	ELBOW,90°,SWIVEL NUT ORFS	48938	8 R6LO-S	RUN TEE,SWIVEL NUT,ORFS
48893	6 F5OHAO-S	UNION,STRAIGHT THREAD	48939	8 S6LO-S	BRANCH TEE,SWIVEL NUT TO ORFS
48894	8 WLO-WLNL-S	UNION,BULKHEAD,ORFS	48940	8 WJLO-WLNL-S	RUN TEE, BULKHEAD,ORFS
48895	DT-370-MSMO-5	VALVE,CHECK	48941	8-4 TRLO-S	REDUCER,TUBE END TO SWIVEL,ORFS
48896	6 JLO-S	UNION,TEE,ORFS	48942	8-6 C5OLO-S	ELBOW,90°,STRAIGHT THREAD TO ORFS
48897	DT-750-MSMS-5	VALVE,CHECK	48943	8-6 F5OLO-S	CONNECTOR,STRAIGHT THREAD TO ORFS
48898	DT-750-MOMS-5	VALVE,CHECK	48944	8-8 FLO-S	CONNECTOR,MALE PIPE TO ORFS
48899	DT-620-MOMS-5	VALVE,CHECK	48945	8 FTX-S	CONNECTOR,MALE PIPE TO FLARE TUBE
48900	4-6 F5OLO-SW/.035	CONNECTOR,STRAIGHT THREAD TO ORFS, W/.035 ORI	48946	8-10 F5OLO-S	CONNECTOR,STRAIGHT THREAD TO ORFS
48902	16-1 AOE4G-S	ELBOW,90° LONG,FEMALE PIPE TO STRAIGHT THREAD	48947	8-12 C5OLO-S	ELBOW,90°,STRAIGHT THREAD TO ORFS
48903	1 FF-S	NIPPLE,PIPE	48948	8-12 F5OLO-S	CONNECTOR,STRAIGHT THREAD TO ORFS
48904	4 C5OLO-S	ELBOW,90°,STRAIGHT THREAD TO ORFS	48949	8-16 F5OLO-S	CONNECTOR,STRAIGHT THREAD TO ORFS
48905	4 F5OLO-S	CONNECTOR,STRAIGHT THREAD TO ORFS	48950	10 C5OLO-S	ELBOW,90°,STRAIGHT THREAD TO ORFS
48906	4 R5OLO-S	RUN TEE,STRAIGHT THREAD	48951	10 CC5OLO-S	ELBOW,90° LONG,STRAIGHT THREAD TO ORFS
48907	4 V5OLO-S	ELBOW,45°,STRAIGHT THREAD TO ORFS	48952	10 F5OLO-S	CONNECTOR,STRAIGHT THREAD TO ORFS
48908	4 R6LO-S	RUN TEE,SWIVEL NUT,ORFS	48953	10 R5OLO-S	RUN TEE,STRAIGHT THREAD
48909	4 WJLO-WLNL-S	RUN TEE, BULKHEAD,ORFS	48954	10 S5OLO-S	BRANCH TEE,STRAIGHT THREAD TO ORFS
48910	4 GTX-S W/.030	CONNECTOR,FEMALE PIPE TO FLARE TUBE	48955	10 R6LO-S	RUN TEE,SWIVEL NUT,ORFS
48911	4-6 C5OLO-S	ELBOW,90°,STRAIGHT THREAD TO ORFS	48956	10-4 TRLO-BL-S	REDUCER,TUBE END TO SWIVEL,ORFS
48912	4-6 F5OLO-S	CONNECTOR,STRAIGHT THREAD TO ORFS	48957	10-6 TRLO-BL-S	REDUCER,TUBE END TO SWIVEL,ORFS
48913	4-6 F5OLO-SW/.030	CONNECTOR,STRAIGHT THREAD TO ORFS, W/.030 ORI	48958	10-12 F5OLO-S	CONNECTOR,STRAIGHT THREAD TO ORFS
48914	4-8 F5OLO-S	CONNECTOR,STRAIGHT THREAD TO ORFS	48959	12 C5OLO-S	ELBOW,90°,STRAIGHT THREAD TO ORFS
48915	6 C5OLO-S	ELBOW,90°,STRAIGHT THREAD TO ORFS	48960	12 F5OLO-S	CONNECTOR,STRAIGHT THREAD TO ORFS
48916	6 F5OLO-S	CONNECTOR,STRAIGHT THREAD TO ORFS	48961	12 R5OLO-S	RUN TEE,STRAIGHT THREAD
48917	6 FF5OLO-S	CONNECTOR,LONG,STRAIGHT THREAD TO ORFS	48962	12 S5OLO-S	BRANCH TEE,STRAIGHT THREAD TO ORFS
48918	6 R5OLO-S	RUN TEE,STRAIGHT THREAD	48963	12 V5OLO-S	ELBOW,45°,STRAIGHT THREAD TO ORFS
48919	6 S5OLO-S	BRANCH TEE,STRAIGHT THREAD TO ORFS	48964	12 R6LO-S	RUN TEE,SWIVEL NUT,ORFS
48920	6 V5OLO-S	ELBOW,45°,STRAIGHT THREAD TO ORFS	48965	12 CLO-S	ELBOW,90°,MALE PIPE TO ORFS
48921	6 FLO-S	CONNECTOR,MALE PIPE TO ORFS	48966	12 FLO-S	CONNECTOR,MALE PIPE TO ORFS
48922	6-6 FLO-S	CONNECTOR,MALE PIPE TO ORFS	48967	12 JLO-S	UNION TEE,ORFS
48923	6 P5ON-S	PLUG,STRAIGHT THREAD	48968	12 WLO-WLNL-S	UNION,BULKHEAD,ORFS
48925	6 WELO-S	UNION,90° BULKHEAD,ORFS	48969	12 WJLO-WLNL-S	RUN TEE, BULKHEAD,ORFS
48926	6-4 C5OLO-S	ELBOW,90°,STRAIGHT THREAD TO ORFS	48970	12 WELO-WLNL-S	UNION,90° BULKHEAD W/NUT,ORFS
48927	6-4 F5OLO-S	CONNECTOR,STRAIGHT THREAD TO ORFS			
48928	6-4 V5OLO-S	ELBOW,45°,STRAIGHT THREAD TO ORFS			
48929	6-8 C5OLO-S	ELBOW,90°,STRAIGHT THREAD TO ORFS			
48930	6-8 F5OLO-S	CONNECTOR,STRAIGHT THREAD TO ORFS			
48931	6-10 F5OLO-S	CONNECTOR,STRAIGHT THREAD TO ORFS			
48932	8 C5OLO-S	ELBOW,90°,STRAIGHT THREAD TO ORFS			
48933	8 F5OLO-S	CONNECTOR,STRAIGHT THREAD TO ORFS			
48934	8 FF5OLO-S	CONNECTOR,LONG,STRAIGHT THREAD TO ORFS			
48935	8 R5OLO-S	RUN TEE,STRAIGHT THREAD			
48936	8 S5OLO-S	BRANCH TEE,STRAIGHT THREAD TO ORFS			
48937	8 V5OLO-S	ELBOW,45°,STRAIGHT THREAD TO ORFS			

Fitting Cross References (Continued)

Genie PN	Parker PN	Description	Genie PN	Parker PN	Description
48971	12 G5G5JG5-S	TEE,FEMALE STRAIGHT THREAD	49612	PKT02586	O-RING KIT (ORFS FITTINGS)
48972	12 XHL6-S	ADAPTER, 37° MALE TO SWIVEL ORFS	49613	PKT06276	PLUG AND CAP KIT-SERVICE,ORFS
48973	12-1/2 F5OG-S	ADAPTER,FEMALE PIPE TO STRAIGHT THREAD	49728	10143-12-12	HOSE END, MALE PIPE
48974	12-10 C5OLO-S	ELBOW,90°,STRAIGHT THREAD TO ORFS	49729	16-1 F5OG-S	ADAPTER,FEMALE PIPE TO STRAIGHT THREAD
48975	12-10 F5OLO-S	CONNECTOR,STRAIGHT THREAD TO ORFS	49814	12-8 FLO-S	CONNECTOR,MALE PIPE TO ORFS
48976	12-16 C5OLO-S	ELBOW,90°,STRAIGHT THREAD TO ORFS	49829	DT-500-MOMF-5	VALVE,CHECK
48977	12-16 F5OLO-S	CONNECTOR,STRAIGHT THREAD TO ORFS	49831	881-12	HOSE,3/4 INCH ID
48978	12-16 V5OLO-S	ELBOW,45°,STRAIGHT THREAD TO ORFS	49834	16 JLO-S	UNION TEE,ORFS
48980	12-16 FLO-S	CONNECTOR,MALE PIPE TO ORFS	49838	12-8 TRLO-BL-S	REDUCER,TUBE END TO SWIVEL,ORFS
48983	16 C5OLO-S	ELBOW,90°,STRAIGHT THREAD TO ORFS	49840	8 JLO-S	UNION TEE,ORFS
48984	16 F5OLO-S	CONNECTOR,STRAIGHT THREAD TO ORFS	49844	10-8 TRLO-BL-S	REDUCER,TUBE END TO SWIVEL,ORFS
48985	16 V5OLO-S	ELBOW,45°,STRAIGHT THREAD TO ORFS	49854	8 P5ON-S	PLUG,STRAIGHT THREAD
48986	16 FLO-S	CONNECTOR,MALE PIPE TO ORFS	49855	1JC43-16-12	HOSE END,FEMALE SWIVEL,SEAL LOK
48988	16 CD45-S	ELBOW,45°,MALE TO FEMALE PIPE	49859	4 P5ON-S	PLUG,STRAIGHT THREAD
48989	12 CD45-S	ELBOW,45°,MALE TO FEMALE PIPE	49861	4 FF5OLO-S	CONNECTOR,LONG,STRAIGHT THREAD TO ORFS
48990	8 CD45-S	ELBOW,45°,MALE TO FEMALE PIPE	49867	12-3/4 F5OG-S	ADAPTER,FEMALE PIPE TO STRAIGHT THREAD
48991	16-12 FLO-S	CONNECTOR,MALE PIPE TO ORFS	51152	6 R6X-S	RUN TEE,SWIVEL NUT,ORFS
48992	16-12 V5OLO-S	ELBOW,45°,STRAIGHT THREAD TO ORFS	51153	6-4 TRTX-S	REDUCER,TUBE END TO SWIVEL,ORFS
48993	XV501-12	BALL VALVE	51154	4-4 GTX	CONNECTOR,FEMALE PIPE TO FLARE TUBE
48994	XV501-16	BALL VALVE	51264	881-12	HOSE,3/4 INCH ID
48995	XV510P-12	BALL VALVE	51265	8 JLO-S	UNION TEE,ORFS
48996	XV510P-16	BALL VALVE	51508	6 BTX-S	NUT,FLARE TUBE
48997	PD341	DIAGNOSTIC NIPPLE, STRAIGHT THREAD	51580	12-8 TRLO-BL-S	TUBE END REDUCER,ORFS
48998	PD 361	DIAGNOSTIC NIPPLE, STRAIGHT THREAD	51628	6 R6X-S	RUN TEE,SWIVEL NUT,ORFS
48999	DT-500-MOMS-5	VALVE,CHECK	51735	3/8 HHP	PLUG,PIPE THREAD
49201	10 V5OLO-S	ELBOW,45°,STRAIGHT THREAD TO ORFS	51803	1J943-6-8	HOSE END,90° FEMALE SWIVEL,SEAL LOK
49202	1JC43-12-10	HOSE END,FEMALE SWIVEL,SEAL LOK	53023	125HBL-5-4	FITTING,HOSE BARB TO MALE PIPE
49203	10-8 V5OLO-S	ELBOW,45°,STRAIGHT THREAD TO ORFS	53497	PKT02585	O-RING KIT
49205	6 F5OHAO-S	UNION,STRAIGHT THREAD	53499	1JC71-16-16	HOSE END,FEMALE SWIVEL,SEAL LOK
49207	PD34BTL	DIAGNOSTIC NIPPLE,SEAL-LOK SWIVEL	53500	3-904	O-RING,STRAIGHT THREAD,-4
49209	8M18F870MX-S	CONNECTOR,METRIC,STRAIGHT THREAD TO FLARE TUBE	53501	3-906	O-RING,STRAIGHT THREAD,-6
49212	8 WGTX-WLN-S	CONNECTOR,BULKHEAD,FEMALE PIPE TO FLARE TUBE	53502	3-908	O-RING,STRAIGHT THREAD,-8
49213	30682-8-8	HOSE END,FEMALE SWIVEL,JIC	53503	3-910	O-RING,STRAIGHT THREAD,-10
49216	831-8	HOSE,1/2 INCH ID			
49217	33982-8-8	HOSE END,90° FEMALE SWIVEL,JIC			
49219	PS-B-35	SLEEVE,NYLON,2.19" ID			
49418	4-6 V5OLO-S	ELBOW,45°,STRAIGHT THREAD TO ORFS			
49511	DT370-MOMS-5	VALVE,CHECK			
49512	1 DD-S	ELBOW,90°,FEMALE PIPE			
49513	1 FF-S	NIPPLE,PIPE			
49514	10 HP5ON-S	PLUG,STRAIGHT THREAD			
49515	12-16 CLO-S	ELBOW,90°,MALE PIPE TO ORFS			
49517	6 HP5ON-S	PLUG,STRAIGHT THREAD			
49519	16-12 F5OLO-S	CONNECTOR,STRAIGHT THREAD TO ORFS			
49520	4 VTX-S	ELBOW,45°,MALE PIPE TO FLARE TUBE			
49530	16 C6LO-S	ELBOW,90°,SWIVEL NUT ORFS			

## Fitting Cross References (Continued)

Genie PN	Parker PN	Description	Genie PN	Parker PN	Description
53535	3-912	O-RING,STRAIGHT THREAD,-12	61083	24 F5OLO-S	CONNECTOR,STRAIGHT THREAD TO ORFS
53536	4-PNLO-S	PLUG,TUBE END,ORFS	61086	20 R5OLO-S	RUN TEE,STRAIGHT THREAD
53537	6 PNLO-S	PLUG,TUBE END,ORFS	61090	24-20 F5OLO-S	CONNECTOR,STRAIGHT THREAD TO ORFS
53538	8 PNLO-S	PLUG,TUBE END,ORFS	61091	1J943 24-24	HOSE END,90° FEMALE SWIVEL,SEAL LOK
53539	10 PNLO-S	PLUG,TUBE END,ORFS	61093	1J978-12-12	HOSE END,90° FEMALE SWIVEL,JIC
53540	12 PNLO-S	PLUG,TUBE END,ORFS	61095	1JS43-20-16	HOSE END,FEMALE SWIVEL,SEAL LOK
53946	129HB-5-4	FITTING,90° HOSE BARB TO MALE PIPE	61100	811-24	HOSE,11/2 INCH ID
53951	8-1/4F50G-S	ADAPTER,FEMALE PIPE TO STRAIGHT THREAD	61130	1JS43-24-24	HOSE END,FEMALE SWIVEL,SEAL LOK
53980	6 S6LO-S	BRANCH TEE,SWIVEL NUT TO ORFS	61131	1JS78 12-12	HOSE END,FEMALE SWIVEL,SEAL LOK
54132	4 C6LO-S	ELBOW,90°,SWIVEL NUT ORFS	61132	1J778-12-12	HOSE END,45° FEMALE SWIVEL,JIC
54135	11343-16-16	HOSE END,MALE SWIVEL,PIPE	61152	139HB-6-4	ELBOW,45°,BARB TO MALE PIPE
54283	8-10 C5OLO-S	ELBOW,90°,STRAIGHT THREAD TO ORFS	61251	BV-0750	BALL VALVE
54428	8M18C870MLO-S	ELBOW, 90° METRIC, STRAIGHT THREAD TO ORFS	61259	4 CC5OLO-S	ELBOW,90° LONG,STRAIGHT THREAD TO ORFS
54803	FS-F-16-10	SLEEVE,FIRE,-96" ID	61260	20-12 TRLO-BL	REDUCER,TUBE END TO SWIVEL,ORFS
54954	10143-2-4	HOSE END, MALE PIPE	61262	12 C6LO-S	ELBOW,90°,SWIVEL NUT ORFS
55190	3/8 HP-S	PLUG,PIPE THREAD	61263	20 F5OHAO-S	UNION,STRAIGHT THREAD
55448	8 HLO-S	UNION,ORFS	61264	6-10 C5OLO-S	ELBOW,90°,STRAIGHT THREAD TO ORFS
55839	6 F65OX-S	CONNECTOR,STRAIGHT THREAD TO 37° SWIVEL	61265	6 WNLO-WLNL-S	UNION,BULKHEAD 45°,ORFS
55968	10 C5OX-S	ELBOW,90°,STRAIGHT THREAD TO FLARE TUBE	61268	4 WNLO-WLNL-S	UNION,BULKHEAD 45°,ORFS
56003	6 CC5OLO-S	ELBOW,90° LONG,STRAIGHT THREAD TO ORFS	61269	4 WLO-WLNL-S	UNION,BULKHEAD,ORFS
56166	BV-0837	BALL VALVE,90°	61272	12 AOEL6	ELBOW,90°,STRAIGHT THREAD TO ORFS SWIVEL
56188	10143-8-6	HOSE END, MALE PIPE	61316	482TC-16	HOSE,1 INCH ID
56233	2-011	O-RING,ORFS,-4	61321	6 JLO-S	UNION TEE,ORFS
56234	2-012	O-RING,ORFS,-6	61327	782-12	HOSE,3/4 INCH ID
56235	2-014	O-RING,ORFS,-8	61328	881-24	HOSE,11/2 INCH ID
56236	2-016	O-RING,ORFS,-10	61336	11943-20-24	HOSE END,90° FLANGE HEAD
56237	2-018	O-RING,ORFS,-12	61345	12 WJLO-WLNL-S	RUN TEE, BULKHEAD,ORFS
56238	2-021	O-RING,ORFS,-16	61346	8 WNLO-WLNL-S 4	UNION,BULKHEAD 45°,ORFS
56352	6 WLNL-S	LOCKNUT,BULKHEAD	61569	33782-8-8	HOSE END,45° FEMALE SWIVEL,JIC
56353	3J782-12-12	HOSE END,45° FEMALE SWIVEL,SEAL LOK	61610	12 FF5OLO-S	CONNECTOR,LONG,STRAIGHT THREAD TO ORFS
56354	3J982-12-12	HOSE END,90° FEMALE SWIVEL,SEAL LOK	61742	1/8 X 1.5 FFF	NIPPLE,PIPE
56604	10-8 F5OLO-S	CONNECTOR,STRAIGHT THREAD TO ORFS	63426	8 PNTX-S	PLUG,FLARE TUBE
56639	3JC82-10-10	HOSE END,FEMALE SWIVEL,SEAL LOK			
56640	3J982-10-10	HOSE END,90° FEMALE SWIVEL,SEAL LOK			
56655	3JC82-8-10	HOSE END,FEMALE SWIVEL,SEAL LOK			
56676	10-8 C5OLO-S	ELBOW,90°,STRAIGHT THREAD TO ORFS			
56776	471TC-6	HOSE,3/8 INCH ID			
56777	471TC-8	HOSE,1/2 INCH ID			
56789	811-16	HOSE,1 INCH ID			
57884	3/8 FF	NIPPLE,PIPE			
59335	6 FNL-S	CAP, TUBE END			
59342	4 FNL-S	CAP, TUBE END			
59371	8 HP5ON-S	PLUG,STRAIGHT THREAD			
60653	BV-0751	BALL VALVE			
60806	125HB-3-4	FITTING,HOSE BARB TO MALE PIPE			
61064	5-1/4 F50G-S	ADAPTER,FEMALE PIPE TO STRAIGHT THREAD			
61079	4 WELO-WLNL-S	UNION,90° BULKHEAD W/NUT,ORFS			
61080	6 WLO-WLNL-S	UNION,BULKHEAD,ORFS			

## Fitting Cross References (Continued)

Genie PN	Parker PN	Description	Genie PN	Parker PN	Description
64271	4 WLO-WLNL-S	UNION,BULKHEAD,ORFS	75631	801-6	HOSE,3/8 INCH ID
64272	6 WLO-WLNL-S	UNION,BULKHEAD,ORFS	75654	20 F5OLO-S	CONNECTOR,STRAIGHT THREAD TO ORFS
65776	8 F65OL-S	CONNECTOR,STRAIGHT THREAD TO ORFS SWIVEL	75655	1J943-20-20	HOSE END,90° FEMALE SWIVEL,SEAL LOK
65880	6001012	O-RING KIT	75656	881-20	HOSE,1-1/4 INCH ID
66154	6 WTX-WLNS	UNION,BULKHEAD,FLARE TUBE	75971	8 F5OHAO-S	UNION,STRAIGHT THREAD
66155	6 WETX-S	UNION,BULKHEAD 90°,FLARE TUBE	77307	1JB43-8-8	HOSE END,BULKHEAD,SEAL LOK
66156	6 WLN-S	BULKHEAD LOCKNUT	77309	8 WLNL-S	BULKHEAD LOCKNUT
66389	6-8 F5OX-S	CONNECTOR,STRAIGHT THREAD TO FLARE TUBE	77379	8M18C87OMX-S	ELBOW,90° METRIC,STRAIGHT THREAD TO FLARE TUBE
66392	6 R5OX-S	RUN TEE,STRAIGHT THREAD	77703	3J982-8-8	HOSE END,90° FEMALE SWIVEL,SEAL LOK
66396	811-12	HOSE,3/4 INCH ID	77711	801-10	HOSE,5/8 INCH ID
66829	H3174PP	CLAMP,TUBE	77758	12 WNLO-WLNL-S	UNION,BULKHEAD 45°,ORFS
67217	4 KLO-S	UNION,CROSS,ORFS	78091	6 C6X-S	ELBOW,90°,SWIVEL NUT TO FLARE TUBE
67339	10-6 F5OX-S	CONNECTOR,STRAIGHT THREAD TO FLARE TUBE	78684	30582-8-8B	HOSE END,PUSH LOK,MALE
67357	13943-8-6	HOSE END,90° FEMALE SWIVEL,JIC	78852	549-2	HOSE,1/8 INCH ID
67358	10 HP5ON-S	PLUG,STRAIGHT THREAD	78855	10657-4-2	HOSE END,FEMALE SWIVEL,JIC
67371	12 S6LO-S	BRANCH TEE,SWIVEL NUT TO ORFS	79138	PS-B-37	SLEEVE,NYLON,2.38" ID
67498	4 FNL-S	CAP, TUBE END	79476	1JS43-6-8	HOSE END,FEMALE SWIVEL,SEAL LOK
67906	DC-370-F0F0-5	VALVE,CHECK	79847	12-3/4 A0EG-S	ELBOW,90°,STRAIGHT THREAD TO FEMALE PIPE
69316	8 FLO-S	CONNECTOR,MALE PIPE TO ORFS	80044	8 CLO-S	ELBOW,90°,MALE PIPE TO ORFS
69333	H3174PP	CLAMP,HYDRAULIC HOSE	80502	8 F5OX-S	CONNECTOR,STRAIGHT THREAD TO FLARE TUBE
69503	4 F65OX-S	CONNECTOR,STRAIGHT THREAD TO 37° SWIVEL	80503	8 C5OX-S	ELBOW,90°,STRAIGHT THREAD TO FLARE TUBE
69775	8 FNL-S	CAP, TUBE END	81010	AS-B-27	SLEEVE,NYLON,1.63" ID
71038	1/4X1/4F3HG-S	ADAPTER,CONVERSION	83052	821-6	HOSE,3/8 INCH ID
71196	12-8 F5OLO-S	CONNECTOR,STRAIGHT THREAD TO ORFS	83053	821-8	HOSE,1/2 INCH ID
71383	1/4 CD45-S	ELBOW,45°,MALE TO FEMALE PIPE	83054	821-12	HOSE,3/4 INCH ID
72270	12FNL-S	CAP, TUBE END	83055	30682-6-6	HOSE END,FEMALE SWIVEL,JIC
73436	60C-4	SLEEVE,COMPRESSION	83056	30682-12-12	HOSE END,FEMALE SWIVEL,JIC
73437	61C-4	NUT,COMPRESSION	83057	33782-6-6	HOSE END,45° FEMALE SWIVEL,JIC
73438	33482-4-4B	HOSE END,PUSH LOK,MALE	83058	33982-6-6	HOSE END,90° FEMALE SWIVEL,JIC
73767	1CD-S	ELBOW,90°,MALE TO FEMALE PIPE	83060	33982-12-12	HOSE END,90° FEMALE SWIVEL,JIC
73768	20-16-F5OG5-S	ADAPTER,FEMALE PIPE TO STRAIGHT THREAD	83063	13743-4-4	HOSE END,45° FEMALE SWIVEL,JIC
73769	16-20 F5OLO-S	CONNECTOR,STRAIGHT THREAD TO ORFS			
74660	6-8 F42EDMLO-S	CONNECTOR,MALE BSPP TO ORFS			
74661	8-8 F42EDMLO-S	CONNECTOR,MALE BSPP TO ORFS			
75007	4 FLO-S	CONNECTOR,MALE PIPE TO ORFS			
75008	1/8 HP-S	PLUG,PIPE THREAD			
75014	1/2 HP-S	PLUG,PIPE THREAD			
75042	8 WELO-WLNL-S	UNION,90° BULKHEAD W/NUT,ORFS			
75043	3/4 FF-S	NIPPLE,PIPE			
75254	24 F5OHAO-S	UNION,STRAIGHT THREAD			
75255	12 F5OHAO-S	UNION,STRAIGHT THREAD			
75256	XV506P-24	BALL VALVE			
75574	4 WLNL-S	BULKHEAD LOCKNUT			
75612	8 WJLO-WLNL-S	RUN TEE, BULKHEAD,ORFS			
75613	12-8 F5OG5-S	ADAPTER,FEMALE PIPE TO STRAIGHT THREAD			
75614	8 CC5OLO-S	ELBOW,90° LONG,STRAIGHT THREAD TO ORFS			
75628	1JB43-4-4	HOSE END,BULKHEAD,SEAL LOK			

## Fitting Cross References (Continued)

Genie PN	Parker PN	Description	Genie PN	Parker PN	Description
83064	13743-8-8	HOSE END,45° FEMALE SWIVEL,JIC	89449	6 WJLO-WLNL-S	RUN TEE, BULKHEAD,ORFS
83065	13743-12-12	HOSE END,45° FEMALE SWIVEL,JIC	89489	4 WJMLO-S	BRANCH TEE,BULKHEAD,ORFS
83066	13943-8-8	HOSE END,90° FEMALE SWIVEL,JIC	89551	1JB43-6-6	HOSE END,BULKHEAD,SEAL LOK
83067	14143-6-6	HOSE END,90° FEMALE SWIVEL,JIC	89552	1JB43-8-8	HOSE END,BULKHEAD,SEAL LOK
83068	14143-8-8	HOSE END,90° FEMALE SWIVEL,JIC	89593	20 C5OLO-S	ELBOW,90°,STRAIGHT THREAD TO ORFS
83069	14143-12-12	HOSE END,90° FEMALE SWIVEL,JIC	94161	8-8 CLO-S	ELBOW,90°,MALE PIPE TO ORFS
83070	772-8	HOSE,1/2 INCH ID	94358	351TC-12	HOSE,3/4 INCH ID
83071	10671-8-8	HOSE END,FEMALE SWIVEL,JIC	94418	20 FLO-S	CONNECTOR,MALE PIPE TO ORFS
83072	10671-12-12	HOSE END,FEMALE SWIVEL,JIC	96358	12 TX-S	SLEEVE,FLARE TUBE
83073	13771-8-8	HOSE END,45° FEMALE SWIVEL,JIC	96359	12 BTX-S	NUT,FLARE TUBE
83074	13771-12-12	HOSE END,45° FEMALE SWIVEL,JIC	96397	8 F5OX-S	CONNECTOR,STRAIGHT THREAD TO FLARE TUBE
83075	13971-8-8	HOSE END,90° FEMALE SWIVEL,JIC	96398	12-8 F5OX-S	CONNECTOR,STRAIGHT THREAD TO FLARE TUBE
83076	13971-12-12	HOSE END,90° FEMALE SWIVEL,JIC	96402	10343-6-6	HOSE END,MALE,JIC
83077	14171-8-8	HOSE END,90° FEMALE SWIVEL,JIC	96407	30382-6-6B	HOSE END,MALE,JIC
83078	14171-12-12	HOSE END,90° FEMALE SWIVEL,JIC			
83080	13943-16-16	HOSE END,90° FEMALE SWIVEL,JIC			
83103	10671-16-12	HOSE END,FEMALE SWIVEL,JIC			
83104	10671-10-12	HOSE END,FEMALE SWIVEL,JIC			
83112	1JC71-8-8	HOSE END,FEMALE SWIVEL,SEAL LOK			
83113	1JS71-16-12	HOSE END,FEMALE SWIVEL,SEAL LOK			
83114	1JS71-10-12	HOSE END,FEMALE SWIVEL,SEAL LOK			
83115	1J971-8-8	HOSE END,90° FEMALE SWIVEL,SEAL LOK			
83116	1J171-8-8	HOSE END,90° FEMALE SWIVEL,SEAL LOK			
83117	1J771-8-8	HOSE END,45° FEMALE SWIVEL,SEAL LOK			
83127	1J543-6-8	HOSE END,90° FEMALE SWIVEL,JIC			
83128	1JC43-6-8	HOSE END,FEMALE SWIVEL,SEAL LOK			
87033	12-6 TRLO-S	REDUCER,TUBE END TO SWIVEL,ORFS			
87034	3J782-8-8	HOSE END,45° FEMALE SWIVEL,SEAL LOK			
87172	12 HP5ON-S	PLUG,STRAIGHT THREAD			
87185	8 WNLO-WLNL-S	UNION,BULKHEAD 45°,ORFS			
87246	4 C6X-S	ELBOW,90°,SWIVEL NUT TO FLARE TUBE			
87679	6 LHP-S	FLANGE SEAL FITTING, MALE			
87681	6PLS N0702	BONDED SEAL			
88100	SR88100	ADAPTER,OIL DRAIN,GM 3.0L			
88311	1JS43-20-20	HOSE END,FEMALE SWIVEL,SEAL LOK			
88353	20 V5OLO-S	ELBOW,45°,STRAIGHT THREAD TO ORFS			
88474	10081-20	Crimp Shell, 1.25"			
88475	1988-20-24	HOSE END,90° FLANGE HEAD			
88476	JS88-24-24	HOSE END,FEMALE SWIVEL,SEAL LOK			
88477	1JC88-20-20	HOSE END,FEMALE SWIVEL,SEAL LOK			
88478	811-20	HOSE,11/4 INCH ID			
88936	20-16 F5OLO-S	CONNECTOR,STRAIGHT THREAD TO ORFS			
88937	20-16 FLO-S	CONNECTOR,MALE PIPE TO ORFS			
88938	1JC88-16-16	HOSE END,FEMALE SWIVEL,SEAL LOK			
88939	1J988-16-16	HOSE END,90° FEMALE SWIVEL,ORFS			
88940	811-16	HOSE,1 INCH ID			
88944	1J988-20-20	HOSE END,90° FEMALE SWIVEL,ORFS			
89403	16 VLO-S	ELBOW,45°,MALE PIPE TO ORFS			

California Proposition 65

## Warning

The exhaust from this product contains chemicals known to the State of California to cause cancer, birth defects or other reproductive harm.

### Genie North America

**Phone** 425.881.1800  
**Toll Free** USA and Canada  
800.536.1800  
**Fax** 425.883.3475

### Genie Australia Pty Ltd.

**Phone** +61 7 3375 1660  
**Fax** +61 7 3375 1002

### Genie China

**Phone** +86 21 53852570  
**Fax** +86 21 53852569

### Genie Malaysia

**Phone** +65 98 480 775  
**Fax** +65 67 533 544

### Genie Japan

**Phone** +81 3 3453 6082  
**Fax** +81 3 3453 6083

### Genie Korea

**Phone** +82 25 587 267  
**Fax** +82 25 583 910

### Genie Brasil

**Phone** +55 11 41 665 755  
**Fax** +55 11 41 665 754

### Genie Holland

**Phone** +31 183 581 102  
**Fax** +31 183 581 566

### Genie Scandinavia

**Phone** +46 31 575100  
**Fax** +46 31 579020

### Genie France

**Phone** +33 (0)2 37 26 09 99  
**Fax** +33 (0)2 37 26 09 98

### Genie Iberica

**Phone** +34 93 579 5042  
**Fax** +34 93 579 5059

### Genie Germany

**Phone** +49 (0)4202 88520  
**Fax** +49 (0)4202 8852-20

### Genie U.K.

**Phone** +44 (0)1476 584333  
**Fax** +44 (0)1476 584334

### Genie Mexico City

**Phone** +52 55 5666 5242  
**Fax** +52 55 5666 3241

Distributed By:

# Parts Manual

GS-30, GS-32, GS-46

*from GS3003-60000 to GS3005-75999  
from GS3204-60000 to GS3205-75406  
from GS4603-60000 to GS4605-75437*

Part No.  
96315

Rev D32

**Genie**  
A TEREX BRAND